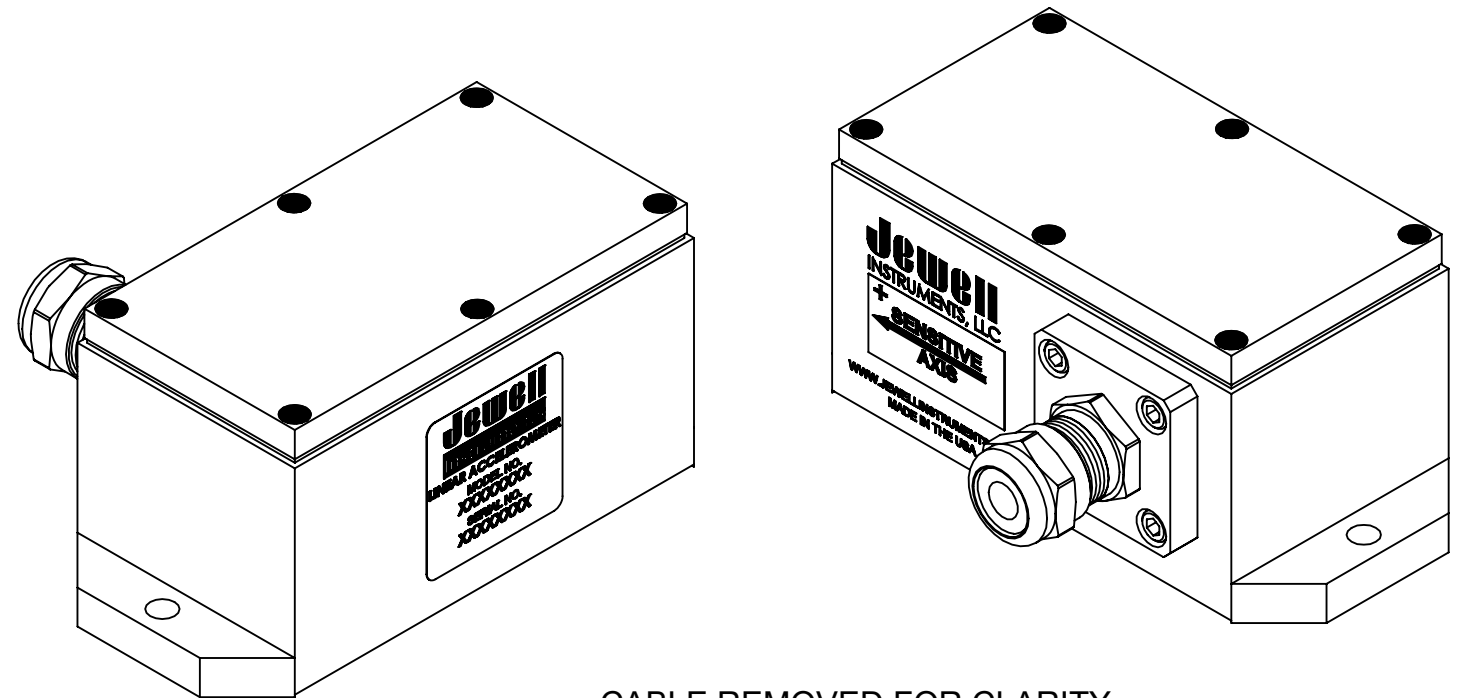
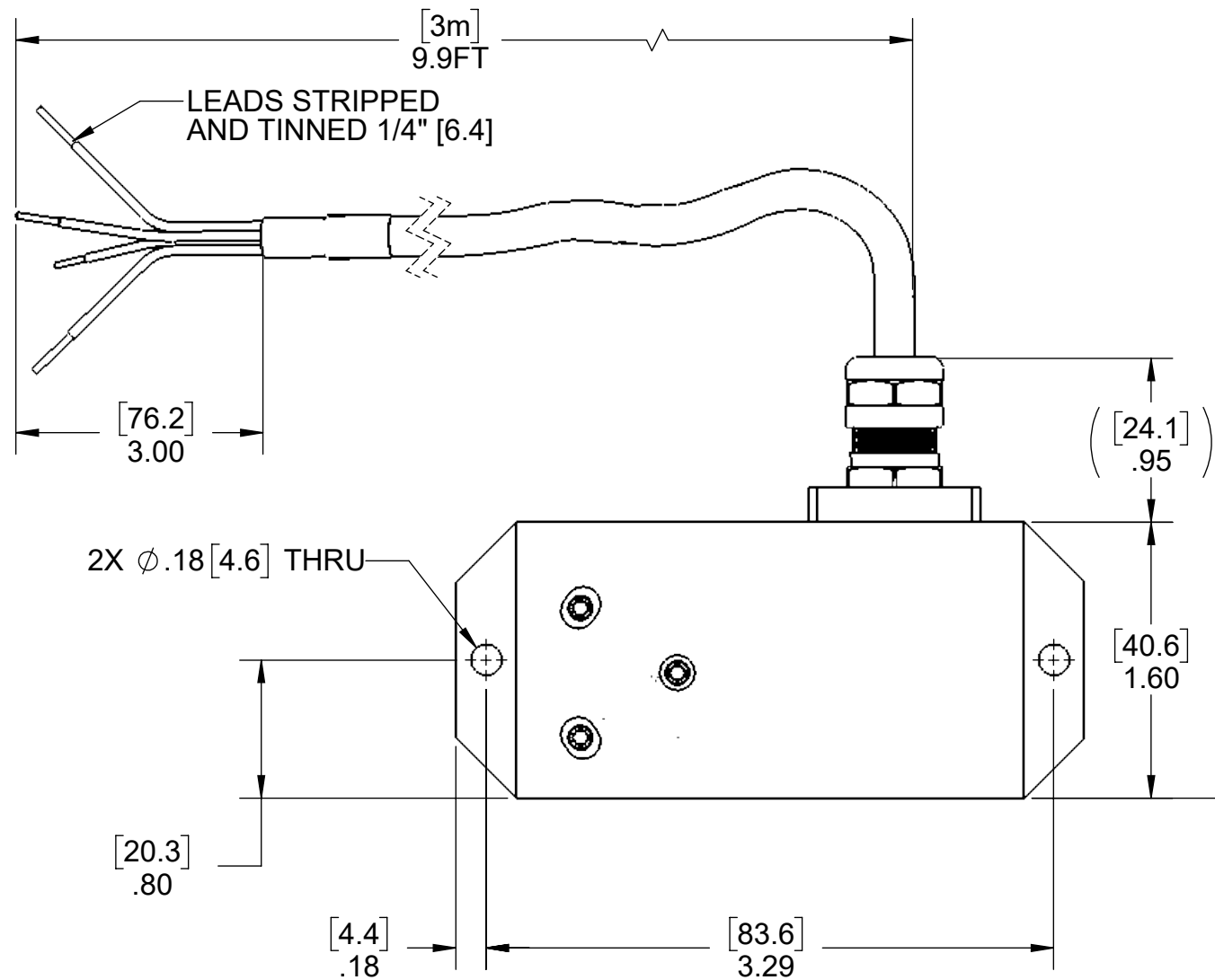
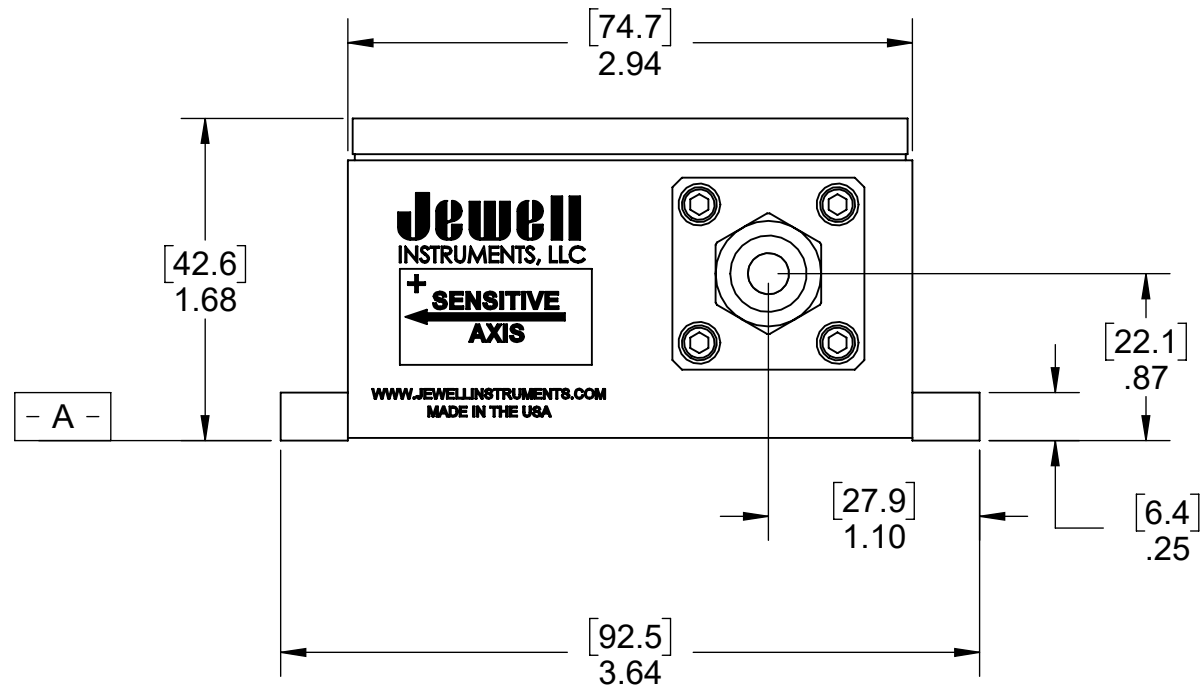


REVISIONS				
REV.	DESCRIPTION	ECO #	DATE	ENGINEER
A	RELEASE TO ENGINEERING	30133	1/27/2021	GN
B	UPDATED TO NEW HOUSING	30221	4/13/2021	GN



CABLE REMOVED FOR CLARITY

WIRE COLOR	FUNCTION	
	SINGLE SUPPLY OR 4-20mA OUTPUT	DUAL SUPPLY
RED	+VDC	+VDC
WHITE	PWR & SIG COM	PWR & SIG COM
BLACK	N/C	-VDC
GREEN	SIG OUT	SIG OUT

NOTES:

- DATUM - A - AND - B - ARE DEFINED AS REFERENCE SURFACES.

MATERIAL	DIMENSIONS UNITS ARE: [mm] INCH	<p>MANCHESTER, NH TRIPLETT MODUTEC A&M EMICO</p>	TITLE LSLR-W OUTLINE DRAWING	
FINISH	TOLERANCE UNLESS SPECIFIED TWO PLACE DECIMALS .00 ± .01 THREE PLACE DECIMALS .000 ± .005 ANGLES ± 1°		DRAWING NO. OD02550416-ROHS	REV. B
CHECKED BY TAD	DATE 2/1/2021	DRAWN BY GN	DATE 12/16/2020	SCALE 1:1
APPROVED BY JES	DATE 2/5/2021			CAGE CODE 33005
		<small>PROPRIETARY NOTICE THIS DRAWING IS THE PROPERTY OF JEWELL INSTRUMENTS, LLC. NEITHER THIS DOCUMENT NOR THE DATA CONTAINED HEREIN SHALL BE DISCLOSED, REPRODUCED IN WHOLE OR IN PART WITHOUT THE WRITTEN AUTHORIZATION OF JEWELL INSTRUMENTS, LLC. NO RIGHT IS GRANTED TO DISCLOSE OR SO USE ANY INFORMATION CONTAINED HEREIN. ALL RIGHTS RESERVED.</small>		SHEET 1 OF 1