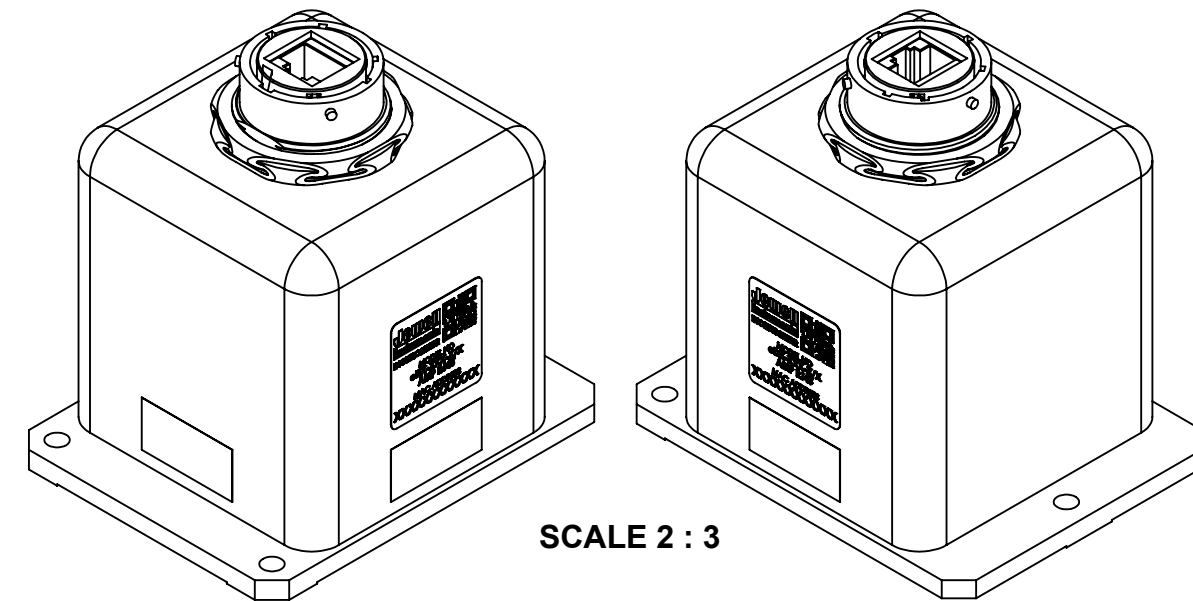
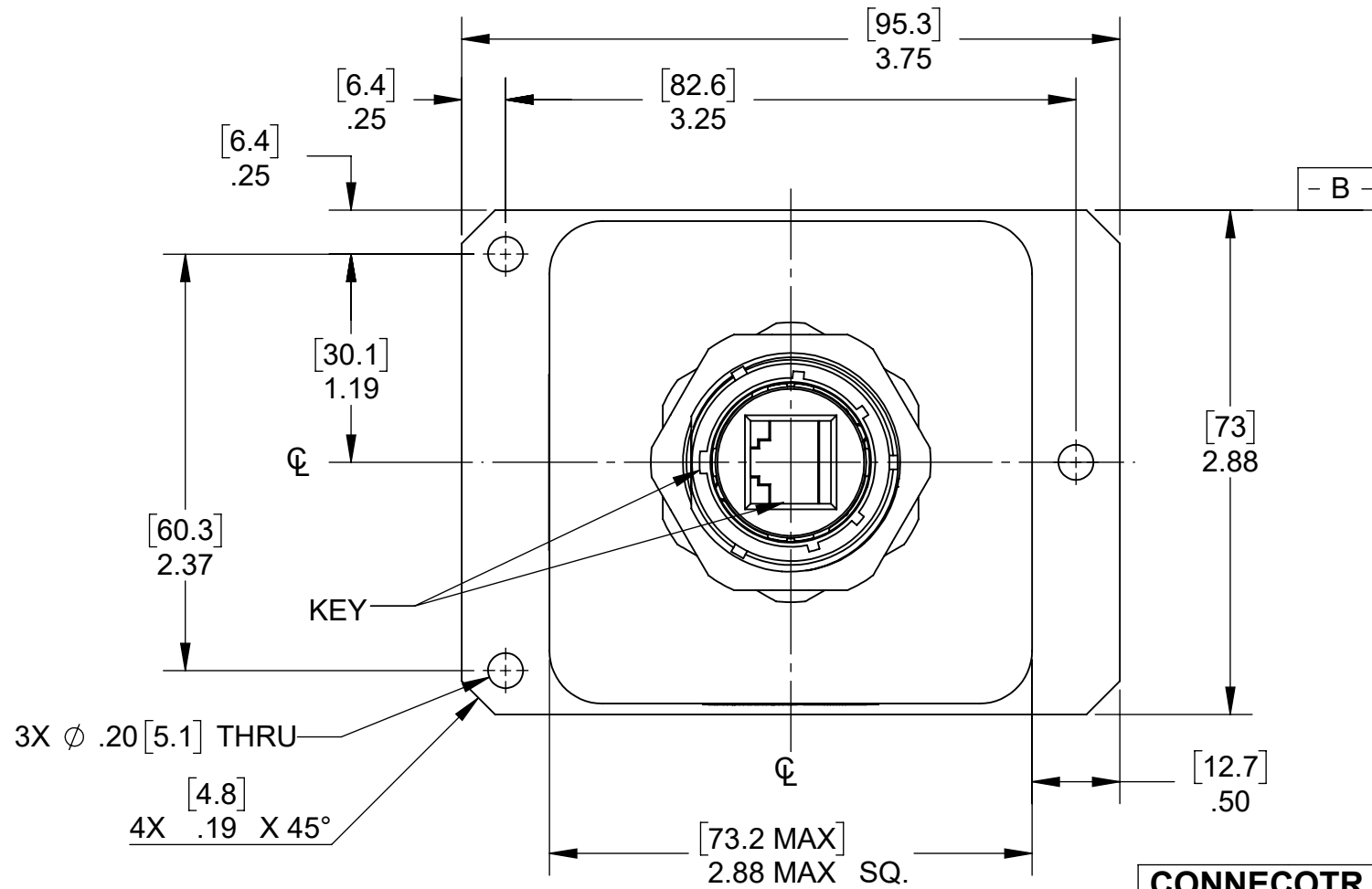


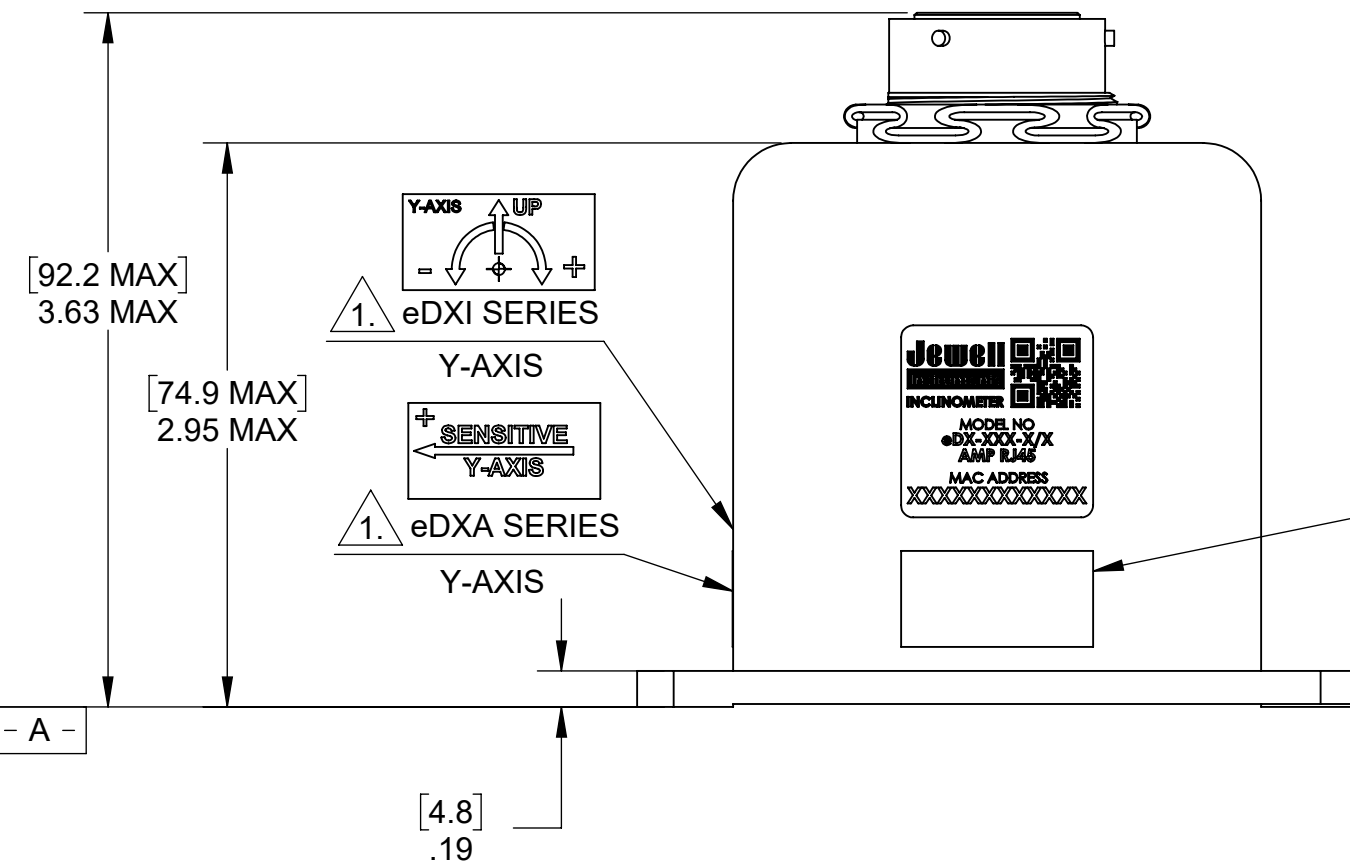
REVISIONS

REV	DESCRIPTION	DATE	ECO	DRFTSMN
A	RELEASE TO PRODUCTION	03/22/2017	28300	R.B.
B	UPDATE NOTE ¹	5/8/2017	28359	R.B.
C	REVISE CONNECTOR TO SHOW KEYING AND ORIENTATION	5/1/2018	28786	TAD
D	CORRECTED PINOUT TABLE, ADDED NOTE 5	10/5/2023	31063	DWK



SCALE 2 : 3

CONNECTOR PIN OUT	
PIN	FUNCTION
1	TX+
2	TX-
3	RX+
4	DC+
5	DC+
6	RX-
7	DC-
8	DC-



NOTES:

1. SENSITIVE AXIS LABEL VARIES BY MODEL. "-100" SERIES UNITS ARE SINGLE AXIS UNITS AND WILL NOT HAVE THE Y-AXIS.
2. DATUM - A - AND - B - ARE DEFINED AS REFERENCE SURFACES.
3. UNITS ^[mm]
INCH
4. MATING CONNECTOR:
VENDOR: AMPHENOL
PART NO: RJF6B
5. COMPATIBLE WITH 802.3AF MODE B POWER OVER ETHERNET

APPLICATION		DIMENSIONS ARE IN INCHES AND APPLY TO PART BEFORE FINISHING	
USED ON	NEXT ASSY	TOLERANCE UNLESS SPECIFIED	
		TWO PLACE DECIMALS (.00) ± .01	
		THREE PLACE DECIMALS (.000) ± .005	
		ANGLES ± 1°	
		RAW MATL - COMMERCIAL STANDARD	
DRAWN	R.B.	DATE	03/07/2017
CHECKER	TD	DATE	03/23/2017
APPROVED	NCD	DATE	03/27/2017



MANCHESTER, NH
TRIPLETT MODUTEC A&M EMICO

PROPRIETARY NOTICE
THIS DRAWING IS THE PROPERTY OF JEWELL INSTRUMENTS, LLC. NEITHER THIS DOCUMENT NOR THE DATA CONTAINED HEREIN SHALL BE DISCLOSED, REPRODUCED IN WHOLE OR IN PART WITHOUT THE WRITTEN AUTHORIZATION OF JEWELL INSTRUMENTS, LLC. NO RIGHT IS GRANTED TO DISCLOSE OR SO USE ANY INFORMATION CONTAINED HEREIN. ALL RIGHTS RESERVED.

TITLE	
eDX SERIES OUTLINE DRAWING	
DRAWING NO.	REV
OD02550380-000	D
SCALE	CAGE CODE
1:1	33005
SHEET 1 OF 1	