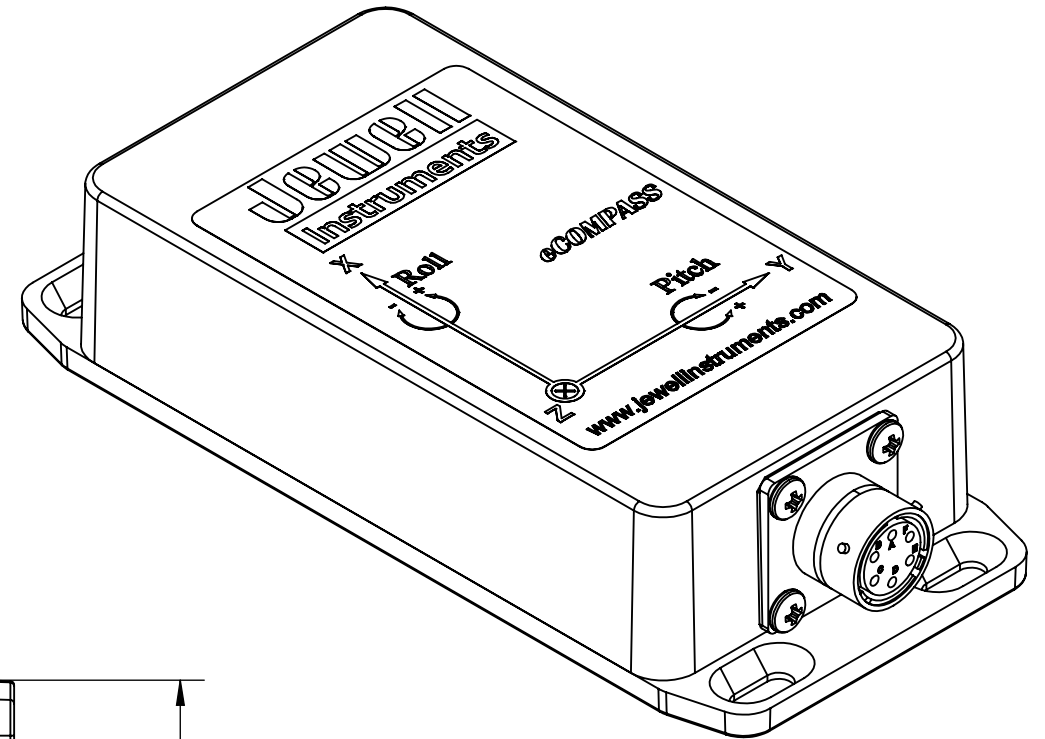
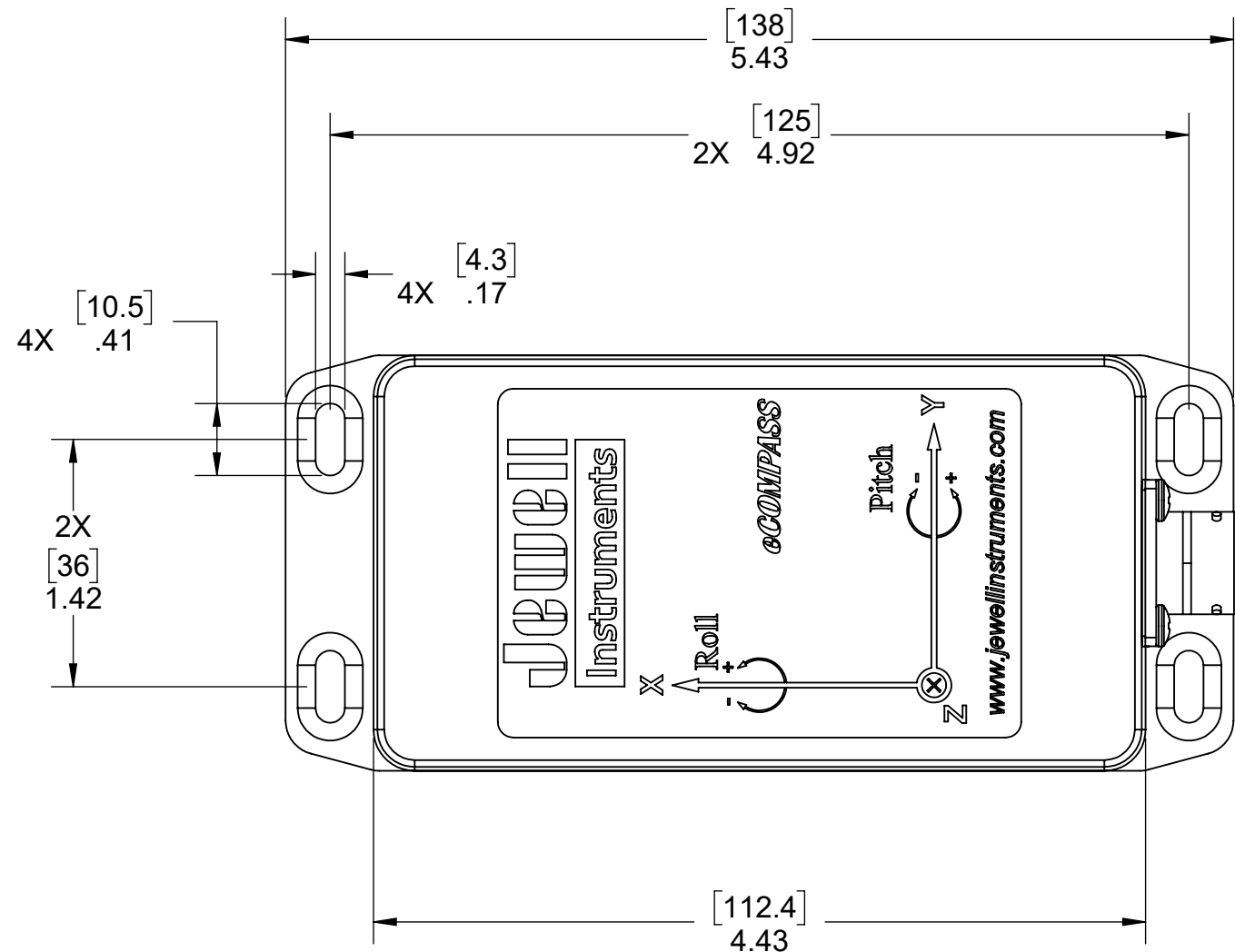
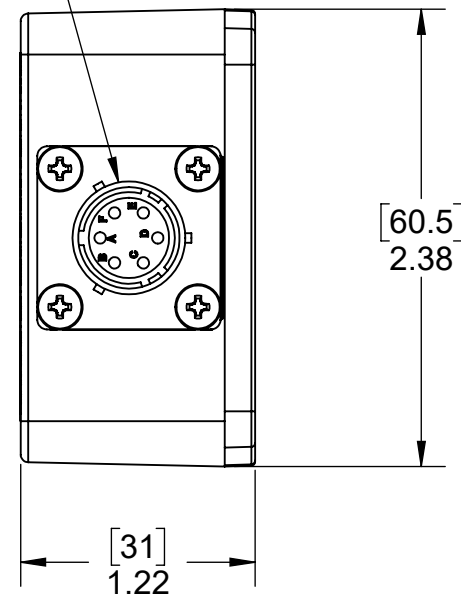



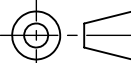
| RS485 CONNECTOR | |
|-----------------|----------------|
| PIN | FUNCTION |
| A | POWER (5V-30V) |
| B | GROUND |
| C | Rx+ |
| D | Rx- |
| E | Tx+ |
| F | Tx- |

| RS232 CONNECTOR | |
|-----------------|----------------|
| PIN | FUNCTION |
| A | GROUND |
| B | POWER (5V-30V) |
| C | TX |
| D | RX |
| E | GROUND |
| F | 100K |



MS3470A10-6S



| | | | | |
|------------------------------|---------------------------------------------------------------------------------------------------------------|---------------------------------------------------------------------------------------------------------------------------------------------------------------------------------------------------------------------------------------------------------------------------------------------------------------------------------------------------------------------|-----------------------------------------------------|---------------------------|
| MATERIAL ALUMINUM | DIMENSIONS UNITS ARE: [mm] INCH |  Jewell Instruments MANCHESTER, NH TRIPLETT MODUTEC A&M EMICO | TITLE eCOMPASS SERIES OUTLINE DRAWING | |
| | TOLERANCE UNLESS SPECIFIED TWO PLACE DECIMALS .00 ± .01 THREE PLACE DECIMALS .000 ± .005 ANGLES ± 1° | | DRAWING NO. OD02550403-A | REV. 1 |
| FINISH BLACK PAINT | | | SCALE DO NOT SCALE | CAGE CODE 33005 |
| CHECKED BY _____ DATE _____ | | | SHEET 1 OF 1 | |
| APPROVED BY _____ DATE _____ |  | <small>PROPRIETARY NOTICE</small> THIS DRAWING IS THE PROPERTY OF JEWELL INSTRUMENTS, LLC. NEITHER THIS DOCUMENT NOR THE DATA CONTAINED HEREIN SHALL BE DISCLOSED, REPRODUCED IN WHOLE OR IN PART WITHOUT THE WRITTEN AUTHORIZATION OF JEWELL INSTRUMENTS, LLC. NO RIGHT IS GRANTED TO DISCLOSE OR SO USE ANY INFORMATION CONTAINED HEREIN. ALL RIGHTS RESERVED. | | |