

The World Meters incorporate Modutec's third generation taut-band/moving-coil movement - unmatched in any competitive production meter, anywhere - with a space-efficient case and dial configuration that takes about 30% less space than conventional panel meters. The result is a rugged and accurate meter with unique and desirable features, at a very economical price.

Features:

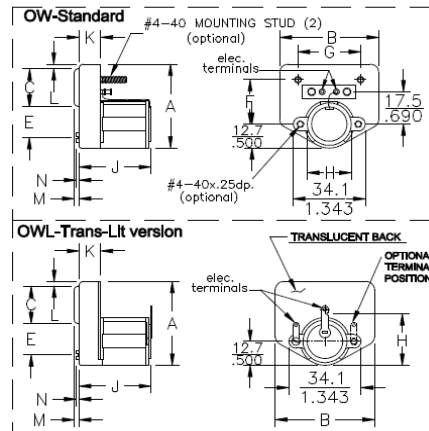
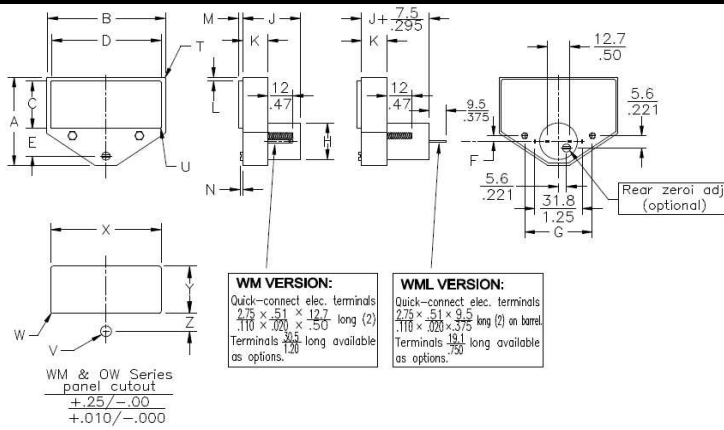
- Small frontal area and small behind-panel volume helps solve packaging-density problems - a 4½" meter with its big, legible dial, easily fits into a 3½" rack panel.
- Large translucent dial designed for shadowless backlighting .
- Small, fully insulated barrel - a boon to technicians.
- Quick-connect terminals on case or rear of barrel.
- Ideal for PC board applications.
- Real zero adjust optional.

Performance

Accuracy*	±2% DC; ±3% AC (60Hz sine wave)
Tracking*	±1 ½% DC; ±2% AC; vertical mounting
Repeatability*	±0.5%
Response Time	±1.5 seconds maximum for all ranges, except 0-50µA and below, where the response time is 3.0 seconds maximum.
Symmetry*	±1.5%
Resistance	±10%
Scale Arc	100°
Shielding	Self-shielded; no special calibration needed for steel or non-ferrous panel mounting.
Meter Size	Scale Length
1 ½"	1.43"
2 ½"	2.14"
3 ½"	3.35"
4 ½"	4.25"

*Percent of full scale. On zero center meters, specification applies to full scale, not end scale values, e.g., 50-0-50 µA is 100 µA full scale.

Outline Drawing - World Meter Series



Dimensional Data - World Meter Series

		A	B	C	D	E	F	G	H	J	K	L	M	N	T	U	V	W	X	Y	Z	AA
OW	mm	41.7	50.3	21.6	46.0	13.2	22.2	31.7	25.4	31.7	10.7	2.8	2.9	1.8	4.8R	1.5R	5.2 DIA	1.2R	46.4	21.8	13.1	12.7
	In.	1.64	1.98	.850	1.82	.52	.875	1.25	1.00	1.25	.42	.110	.115	0.72	.19r	.06R	.205 DIA	.046R	1.825	.860	.515	.500
2½"	mm	52.5	63.5	28	59.7	14.86	3.2	32.6	25.4	32.6	11.4	1.9	2.9	1.8	2.9R	.8R	5.4 DIA	.5R	59.94	28.19	14.73	15.95
	In.	2.06	2.50	1.100	2.350	.585	.125	1.28	1.00	1.28	.45	2.20	.115	0.72	.08R	.03R	.213 DIA	.02R	2.360	1.110	.580	.628
3½"	mm	71.88	94.74	39.98	90.98	20.6	5.64	32.6	25.4	32.6	11.4	1.88	2.9	1.8	.5R	.5R	5.79 DIA	.25R	91.39	40.39	20.42	17.72
	In.	2.83	3.73	1.574	3.582	.812	.220	1.28	1.00	1.28	.45	.074	.115	0.72	.02R	.02R	.228 DIA	.01R	3.598	1.590	.804	.698
4½"	mm	76 max	114.4	48.3	109.3	18.25	5.1	32.6	25.4	32.6	11.4	2.5	2.9	1.8	.5R	.5R	5.79 DIA	.25R	109.71	48.70	18.04	15.24
	In.	2.99 max	4.50	1.900	4.300	.718	.200	1.28	1.00	1.28	.45	.100	.115	0.72	.02R	.02R	.228 DIA	.01R	4.316	1.916	.710	.600

Available Options

How to Order

Suffix	Option	WM
A	Improved Accuracy ¹	●
-	Bezel Mount Kits ("BA")	
B	4-stud Mounting	
C	Colors, Meter Cover & Bezel	
D	Blank Dials	●
DD	Opaque Dials	●
E	Custom Resistance ^{1 2}	●
F	Fast Response ^{1 2}	●
G	Custom Pointers	●
IEC	ANSI Symbols on Dial	●
KW	Illumination	● ⁵
M	Mirror Scale	● ⁶
NL	Heavy Damping ⁷	●
NS	Untacked Covers	*
P	Single Point Calibration	●
R	Improved Resistance	●
S	Sealed Case	
T	Temperature Compensation ¹	●
U	Unit Meter Packaging	●
V	High Resistance Voltmeters ¹	●
X2	Metric Studs & Terminals	●
Y	Insulated Terminals	
Z	Rear Zero Adjust ¹	●

Please refer to the World Meter Catalog. Mention any options you would like to add to your meter.

Panel Meter Sales Contact Information

Toll Free 800-638-3771
meters@jewellinstruments.com

Notes: ¹ Not available on AC types. ² Extra time required for set up. ⁴ Illumination components furnished by user for L Series; ⁵ Illumination components furnished by user. ⁶ Requires opaque dial ("DD" option). ⁷ Not available on iron-vane types. * Furnished as standard.

www.jewellinstruments.com

©2014 Jewell Instruments LLC | 850 Perimeter Road | Manchester, NH 03103 | 800-638-3771