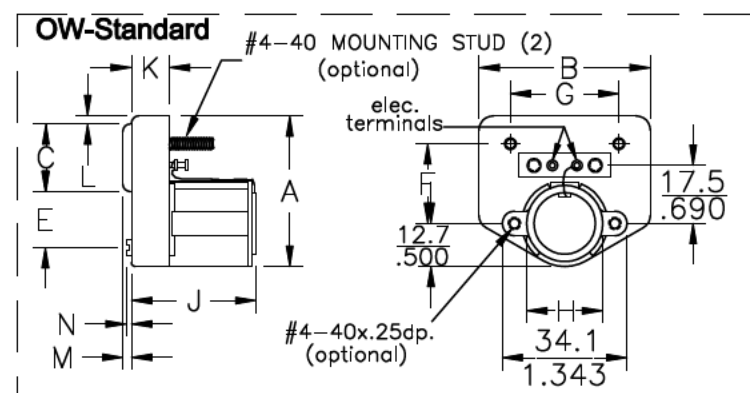


WM VERSION:
Quick-connect elec. terminals
2.75 x .51 x 12.7 long (2)
.110 x .020 x .50
Terminals 30.5 / 1.20 long available
as options.

WML VERSION:
Quick-connect elec. terminals
2.75 x .51 x 9.5 long (2) on barrel.
.110 x .020 x .375
Terminals 19.1 / .750 long available
as options.



DIMENSIONAL DATA

	A	B	C	D	E	F	G	H	J	K	L	M	N	T	U	V	W	X	Y	Z	AA	
OW	mm.	41.7	50.3	21.6	46.0	13.2	22.2	31.7	25.4	31.7	10.7	2.8	2.9	1.8	4.8R	1.5R	5.2 DIA	1.2R	46.4	21.8	13.1	12.7
	in.	1.64	1.98	.850	1.82	.52	.875	1.25	1.00	1.25	.42	.110	.115	.072	.19R	.06R	.205 DIA	.046R	1.825	.860	.515	.500
2 1/2"	mm.	52.5	63.5	28	59.7	14.86	3.2	40.7	25.4	32.6	11.4	1.9	2.9	1.8	2.9R	.8R	5.4 DIA	.5R	54.94	28.19	14.73	15.95
	in.	2.06	2.50	1.100	2.350	.585	.125	1.60	1.00	1.28	.45	.075	.115	.072	.08R	.03R	.213 DIA	.02R	2.360	1.110	.580	.628
3 1/2"	mm.	71.88	94.74	39.98	90.98	20.6	5.64	51	25.4	32.6	11.4	1.88	2.9	1.8	.5R	.8R	5.79 DIA	.25R	91.39	40.39	20.42	17.72
	in.	2.83	3.73	1.574	3.582	.812	.220	2.00	1.00	1.28	.45	.074	.115	.072	.02R	.03R	.228 DIA	.01R	3.598	1.590	.804	.698
4 1/2"	mm.	76max	114.4	48.3	109.3	18.25	5.1	76.25	25.4	32.6	11.4	2.5	2.9	1.8	.5R	.8R	5.79 DIA	.25R	109.71	48.70	18.04	15.24
	in.	2.99max	4.50	1.900	4.300	.718	.200	3.00	1.00	1.28	.45	.100	.115	.072	.02R	.03R	.228 DIA	.01R	4.316	1.916	.710	.600

TOLERANCE UNLESS SPECIFIED

RAW MATERIAL - COMMERCIAL STANDARD

DIMENSIONS ARE IN INCHES.

MATERIAL

FINISH

USED ON

NEXT ASSY

THIS DRAWING COVERS A PROPRIETARY ITEM AND IS THE PROPERTY OF JEWELL INSTRUMENTS, LLC. THIS DRAWING IS NOT TO BE COPIED OR USED WITHOUT PERMISSION.

WM SERIES
1 1/2", 2 1/2", 3 1/2", 4 1/2"
OUTLINE

SCALE NONE

EPA NO.

Jewell
INSTRUMENTS, LLC.
MANCHESTER NEW HAMPSHIRE

DWG. NO. **WM SERIES**

CODE 33005

CAT. NO.