

RUGGEDIZED SERIES

DC MICROAMMETERS (Pivot & Jewel)

Range	Ω Res.	127-HR	221-HR	321-HR
0-50	2.5k (4k)	152-1393 *	152-2006	152-2028 *
0-100	1170	152-1395	152-2007	152-2029
0-200	400	152-1397	152-2008	152-2030
0-500	210	52-6627	152-2009	152-2031

127-HR Resistance in Parenthesis

DC MICROAMMETERS (Taut Band)

Range	Ω Res.	127-HR	221-HR	321-HR
0-20	7,500	152-1246	—	—
0-50	2,300	152-1249	—	—

DC MILLIAMMETERS

Range	Ω Res.	127-HR	221-HR	321-HR
0-1	55	152-1373	152-1988	152-2010
0-5	8.5	152-1378	152-1989	152-2011
0-10	3.1	152-1379	152-1990	152-2012
0-50	1.0	152-1420	152-1991	152-2013
0-100	.50	152-1421	152-1992	152-2014
0-200	.25	152-1422	152-1993	152-2015
0-500	.10	152-1424	152-1995	152-2017

DC AMMETERS

Range	Ω Res.	127-HR	221-HR	321-HR
0-1 ▲	—	152-1986	152-1997	152-2019
0-5 ▲	—	—	152-1998	152-2020
0-10 ▲	—	—	152-1999	152-2021

DC MILLIVOLTMETERS

Range	Ω Res.	127-HR	221-HR	321-HR
0-50	6.7	152-1985	152-1996 *	152-2018

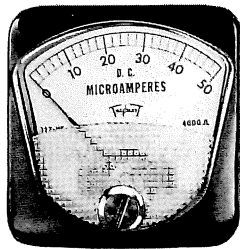
DC VOLTMETERS (1000 Ohms/Volt)

Range	Ω / Volt	127-HR	221-HR	321-HR
0-5	1000	152-1987	152-2000	152-2022
0-10	1000	152-1380	152-2001	152-2023
0-25	1000	152-1381	152-2002	152-2024
0-30	1000	52-6682	52-6603	52-6317
0-50	1000	152-1382	152-2003	152-2025
0-150	1000	152-1383	152-2004	152-2026

▲ Units are self-contained

* Models which are normally stocked by Distribution
For additional ranges, please contact factory.

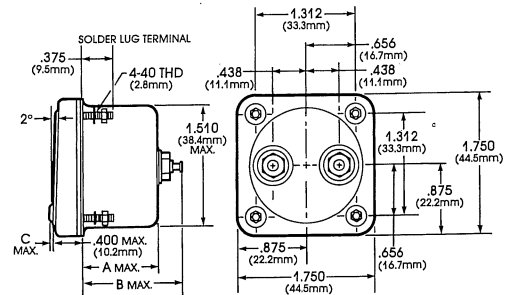
1½"



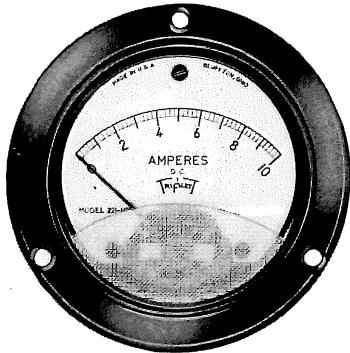
Model 127-HR

METER MOVEMENT	WITHOUT ZERO ADJUST		
	A	B	C
PIVOT & JEWEL	1 (25.4mm)	1.281 (32.5mm)	—
TAUT BAND	1.5 (3.81mm)	1.80 (45.7mm)	—

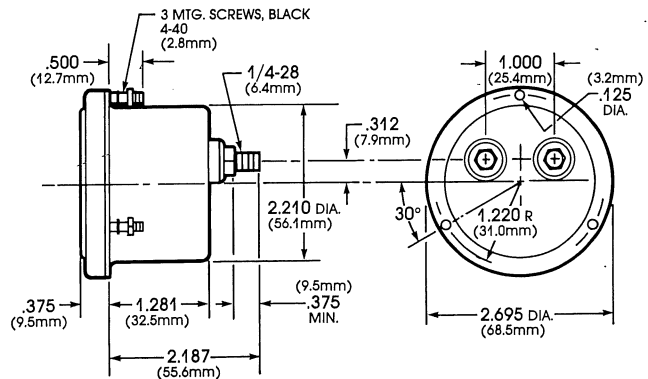
METER MOVEMENT	WITH ZERO ADJUST		
	A	B	C
PIVOT & JEWEL	1.5 (38.1mm)	1.80 (45.7mm)	.035 (.9mm)
TAUT BAND	1.5 (38.1mm)	1.80 (45.7mm)	.035 (.9mm)



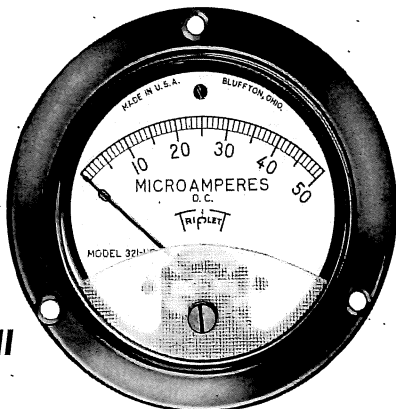
2½"



Model 221-HR



3½"



Model 321-HR

