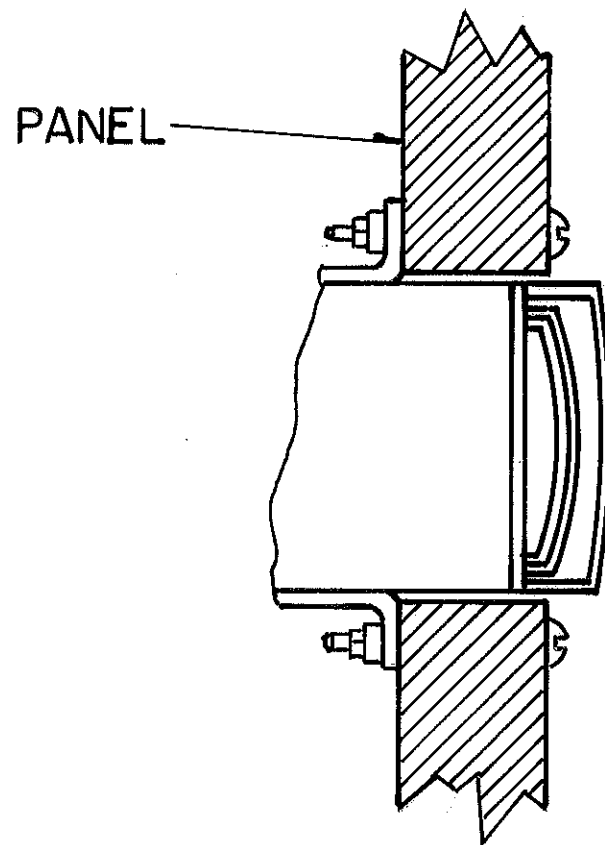
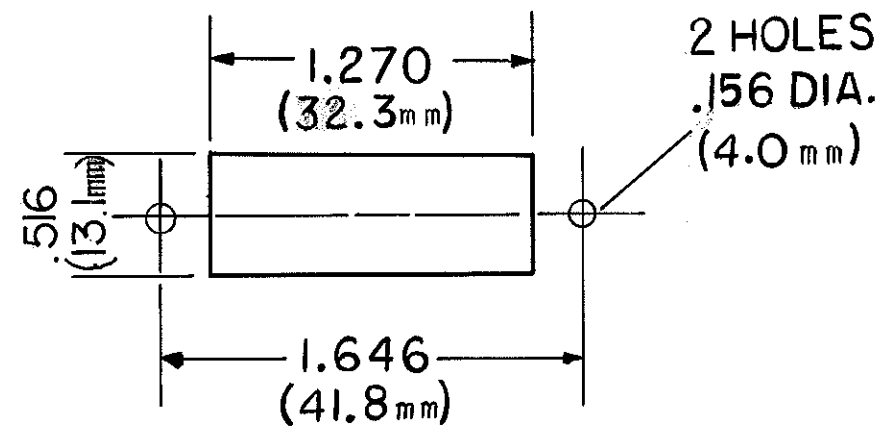


*SPECIFY DIMENSION WHEN ORDERING



MOUNTING METHOD



PANEL CUTOUT

APPROX WEIGHT 2 OUNCES
WITH STD MOUNTING HARDWARE

RESTRICTIONS: ALL DRAWINGS AND SPECIFICATIONS ARE TO REMAIN THE PROPERTY OF THE TRIPLET ELECTRICAL INSTRUMENT COMPANY. THEY MUST BE RETURNED UPON REQUEST AND MUST NOT BE DISCLOSED TO ANY PERSONS OTHER THAN THOSE TO WHOM THEY ARE SENT.

NO. REVISION

0.5E

THE TRIPLET ELECTRICAL INSTRUMENT CO.
BLUFFTON, OHIO U. S. A.

DATE 5-15-69	DR.
CK RAW	ENGR JTB

78B-1