

SCA Solenoid

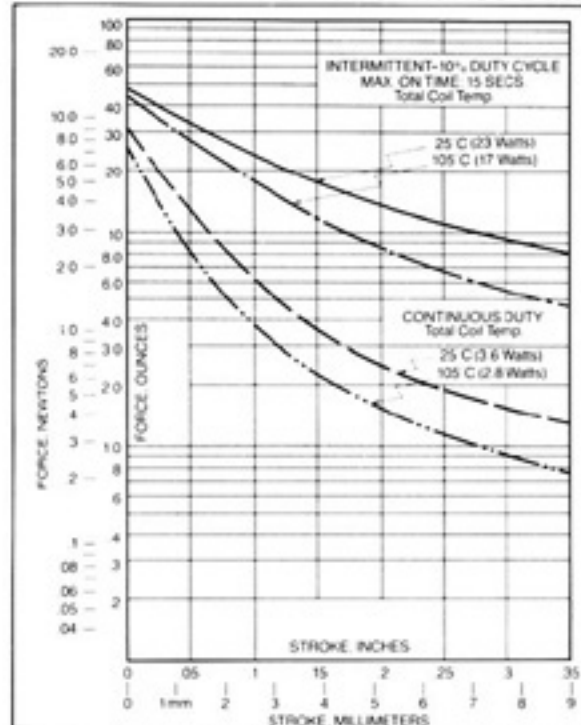


Specifications

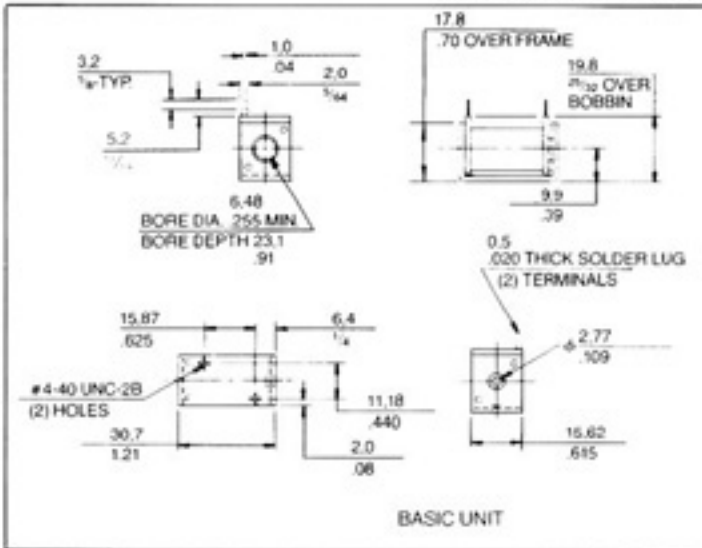
Type of Operation: Push or pull
Standard Voltages: 6 VDC, 12 VDC, 24 VDC, (Others available on request)
Insulation Material: Class "B" standard (Others available on request)
Coil Finish: Acetate tape standard (Also available: varnish dip, glass cloth tape, fungus resistant finish)
Coil Terminations: Terminals per drawing standard (Also available: flying leads, bent terminals, banded terminals, solder lugs)

Plating Standards: Frame—Zinc, chromate; Clevis—Zinc; Plunger—Electroplate Nickel; Stop—Electroless Nickel (Others available on request)
Plunger Type: Slot and cross drilled per drawing standard (Options available per drawing)
Plunger Weight: 0.3 ounces standard

DC Performance Data

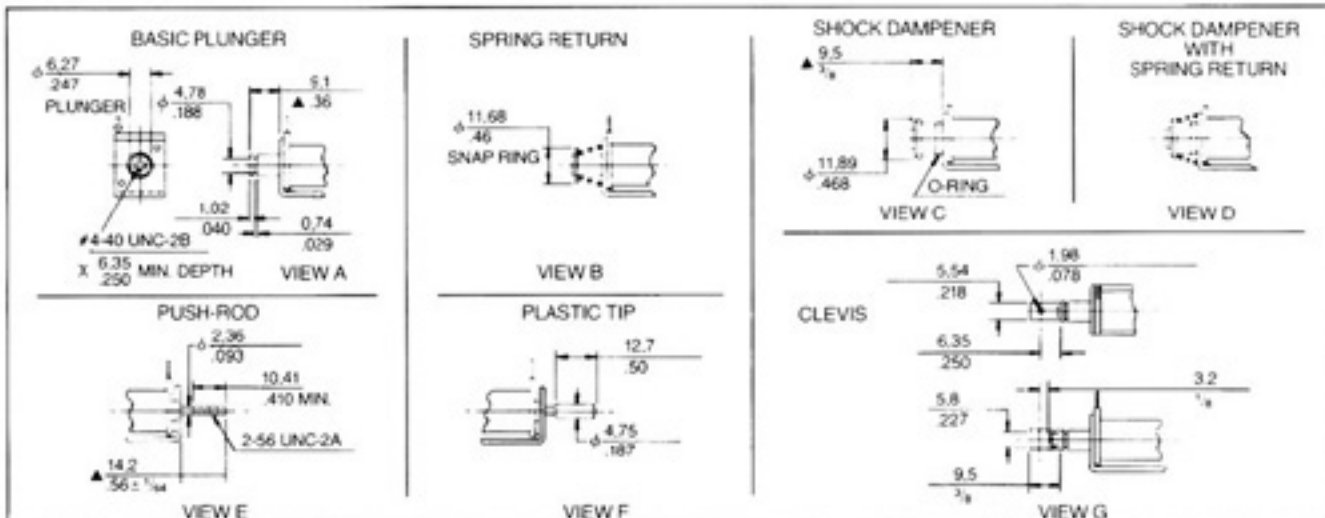


Dimensions



Duty Cycle	Maximum "On" Time	Stroke (inches)	Force* (ounces)	Rated Power (watts)
Continuous	∞	0.0	32.0	3.6
		0.1	6.3	
		0.2	2.4	
		0.3	1.5	
10%	15 sec.	0.0	48.0	23.0
		0.1	23.5	
		0.2	13.8	
		0.3	9.5	

* TYPICAL FORCE @ 25 C AND NOMINAL RATED DC VOLTAGE



▲ ENERGIZED DIM.



850 Perimeter Road
 Manchester, NH 03103
 Toll Free: 800 227-5955
 Facsimile: 603 622-2690
 Email: sales@jewellinstruments.com
 www.jewellinstruments.com