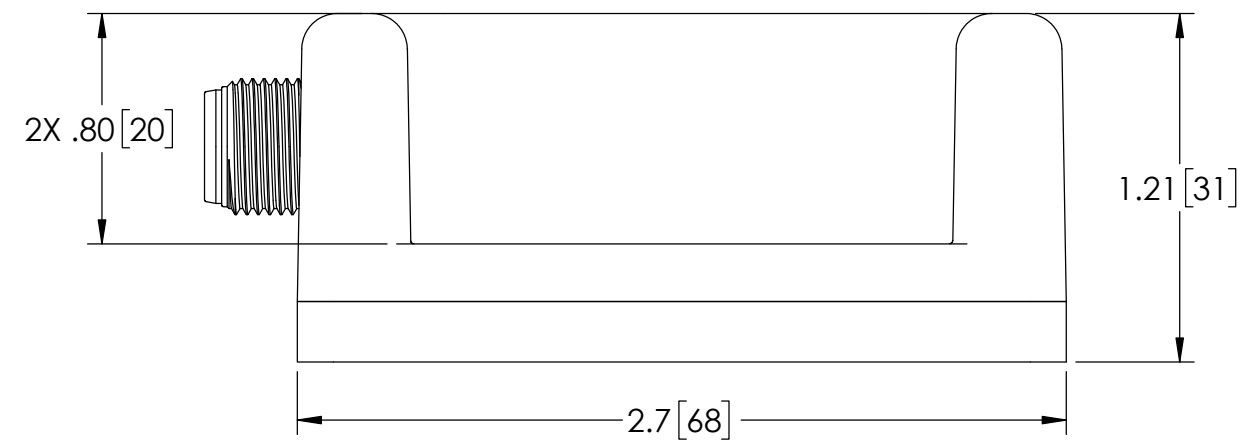
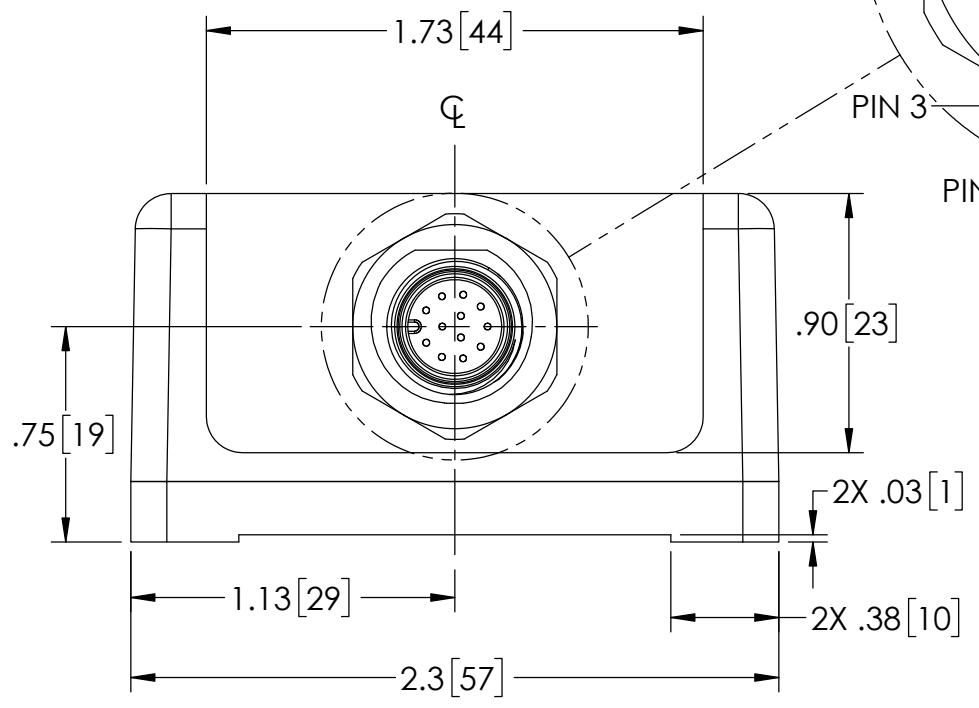
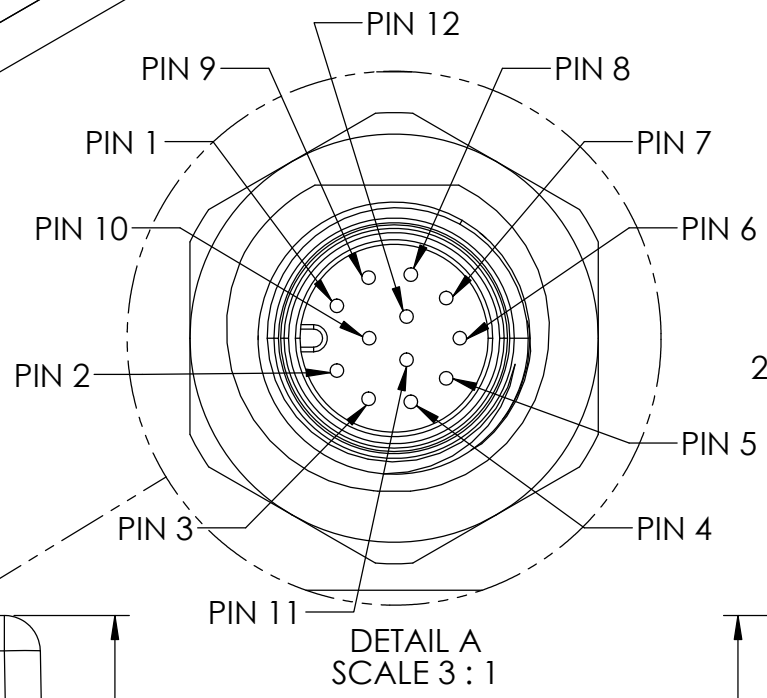
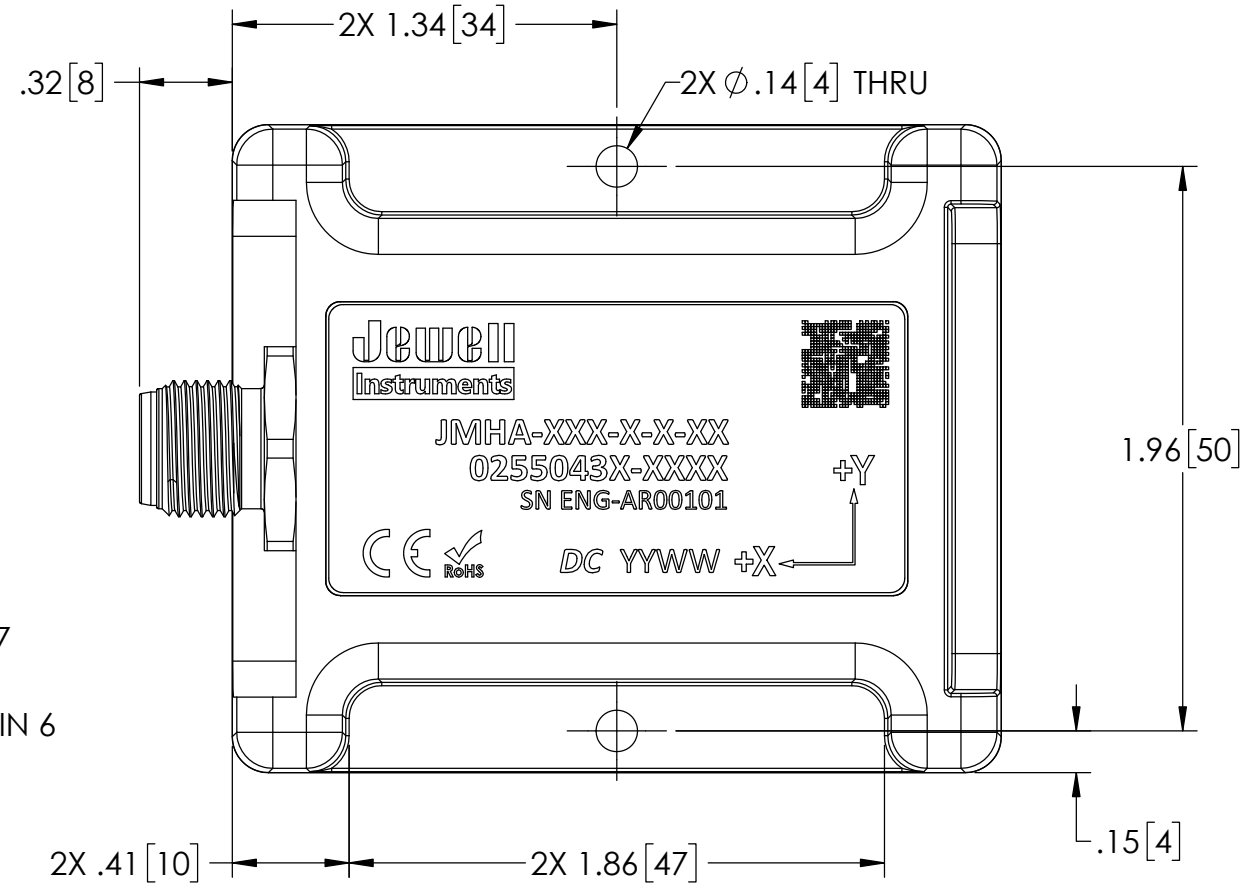
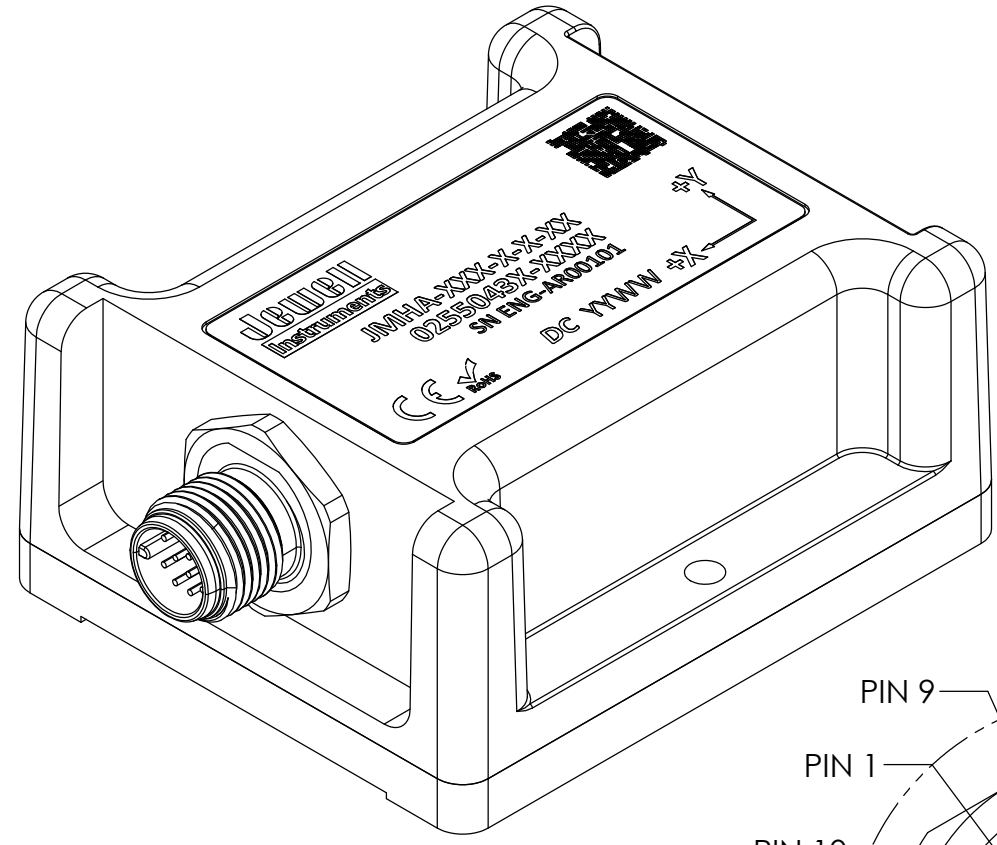


REVISIONS					
ZONE	REV.	DESCRIPTION	ECO #	DATE	DRFTSMN
	1	INITIAL DESIGN		9/19/2024	G.R.



M12 PIN#	FUNCTION
1	Vin+
2	GND
3	Vin-
4	X
5	Y
6	Z
7	GND
8	TEMP
9	GND
10	N/C
11	N/C
12	N/C

APPLICATION		DIMENSIONS ARE IN INCHES AND APPLY TO PART BEFORE FINISHING	
USED ON	NEXT ASSY	TOLERANCE UNLESS SPECIFIED	
		TWO PLACE DECIMALS (.00) ± .01	
		THREE PLACE DECIMALS (.000) ± .005	
		ANGLES ± 1°	
		RAW MATL - COMMERCIAL STANDARD	
MATERIAL		DRAWN	DATE
		GR	9/19/2024
		CHECKER	DATE
FINISH		APPROVED	DATE

Jewell Instruments

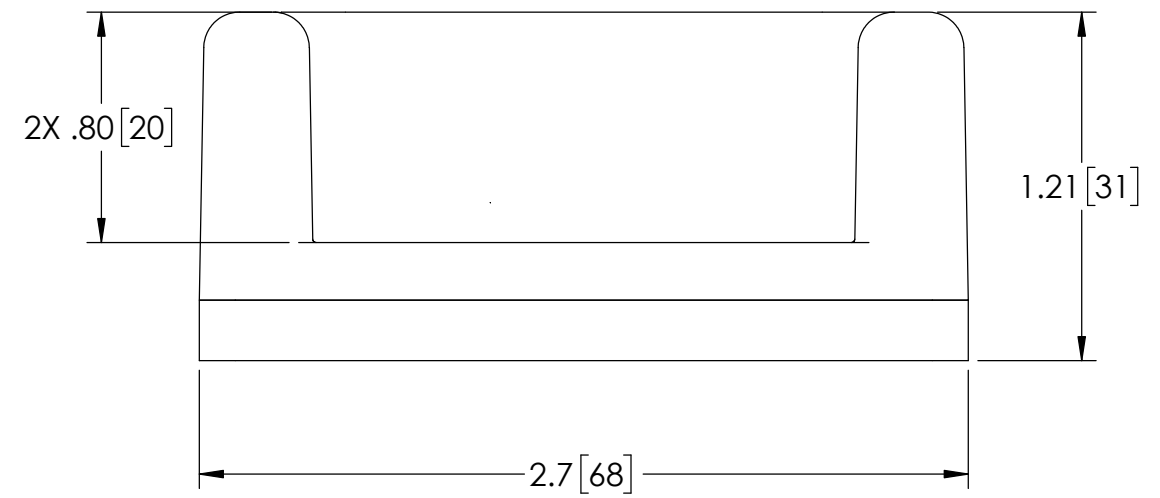
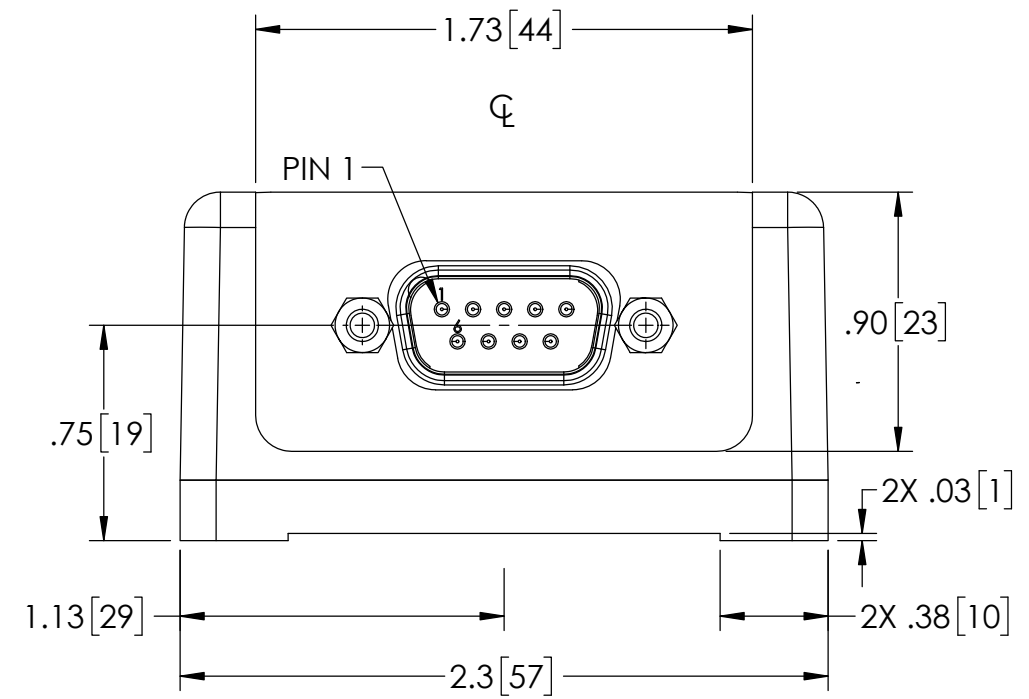
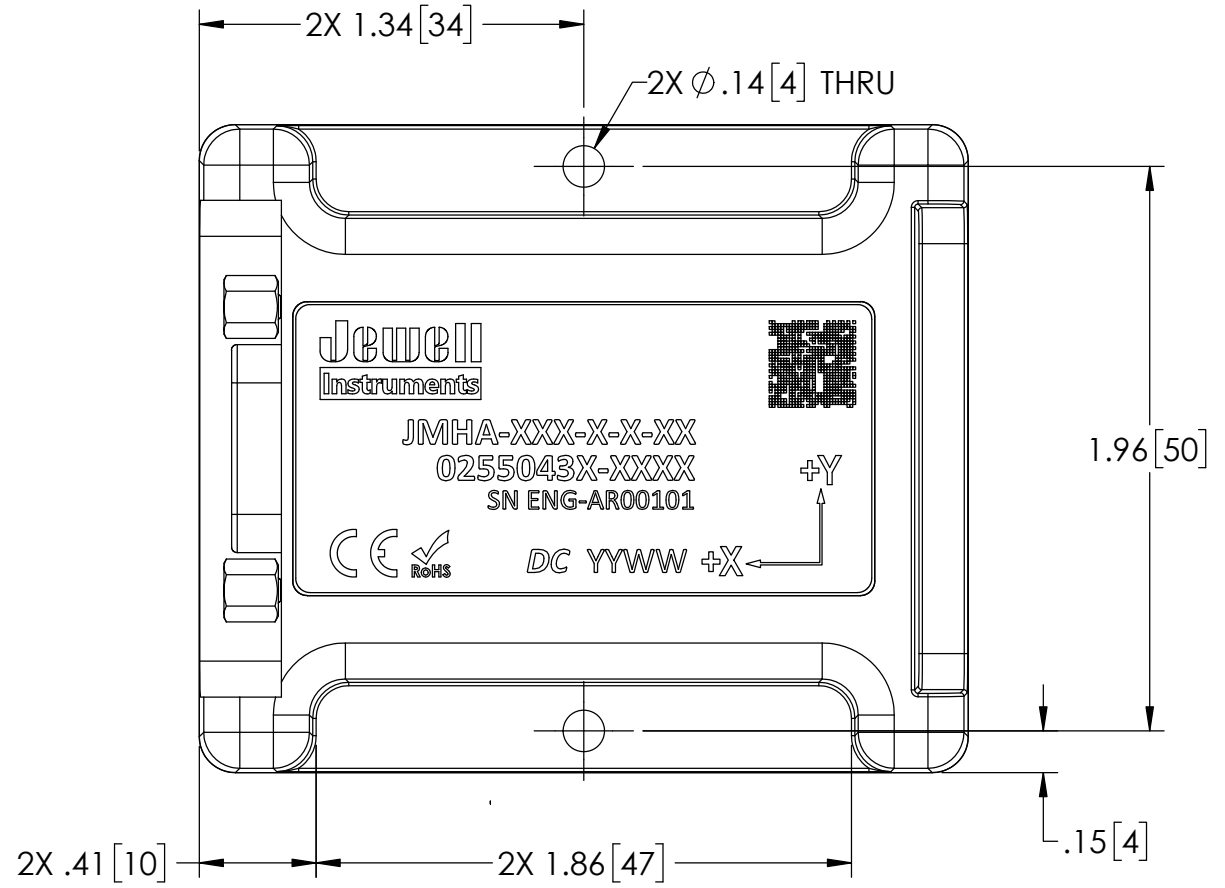
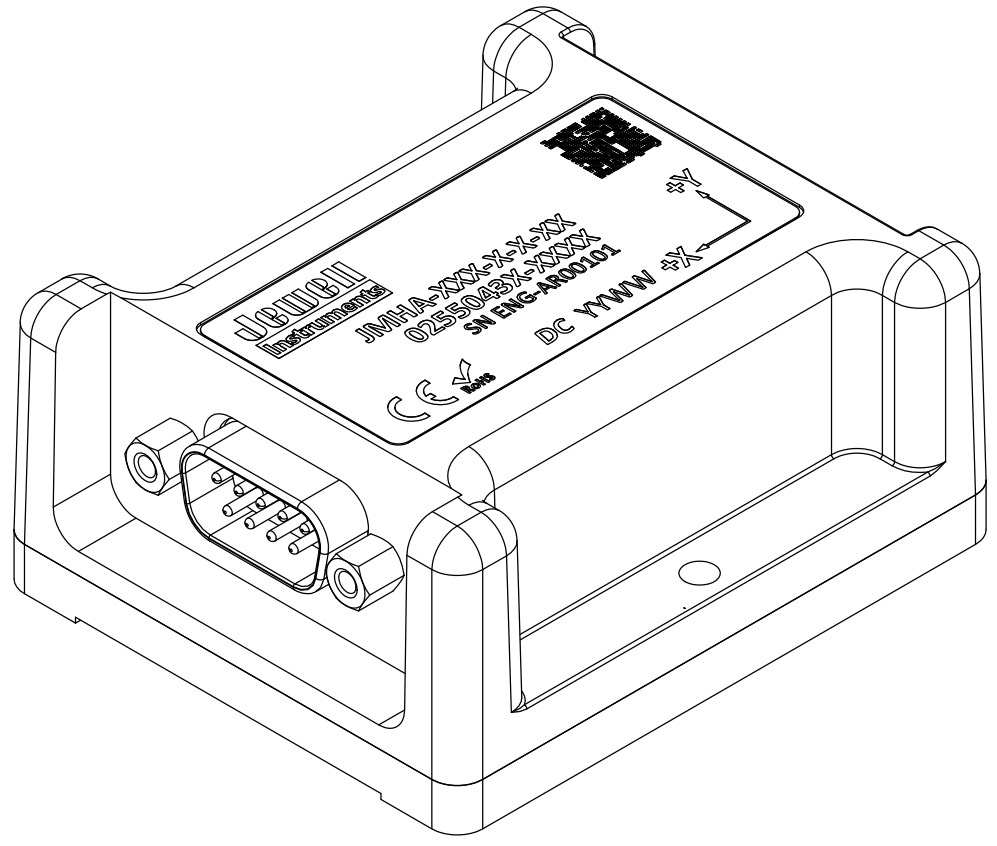
MANCHESTER, NH
MODUTEC A&M EMICO

PROPRIETARY NOTICE
THIS DRAWING IS THE PROPERTY OF JEWELL INSTRUMENTS, LLC. NEITHER THIS DOCUMENT NOR THE DATA CONTAINED HEREIN SHALL BE DISCLOSED, REPRODUCED IN WHOLE OR IN PART WITHOUT THE WRITTEN AUTHORIZATION OF JEWELL INSTRUMENTS, LLC. NO RIGHT IS GRANTED TO DISCLOSE OR SO USE ANY INFORMATION CONTAINED HEREIN. ALL RIGHTS RESERVED.

TITLE		RUBY MEMS M12 CONNECTOR OUTLINE DRAWING	
DRAWING NO.	REV		
OD-02550431-M12	1		
SCALE	CAGE CODE	SHEET 2 OF 2	
1.5:1	33005		

8 7 6 5 4 3 2 1

REVISIONS					
ZONE	REV.	DESCRIPTION	ECO #	DATE	DRFTSMN
	1	INITIAL DESIGN		9/19/2024	G.R.



DB9 PIN#	FUNCTION
1	Vin+
2	GND
3	Vin-
4	X
5	Y
6	Z
7	GND
8	TEMP
9	GND

APPLICATION		DIMENSIONS ARE IN INCHES AND APPLY TO PART BEFORE FINISHING	
USED ON	NEXT ASSY	TOLERANCE UNLESS SPECIFIED	
		TWO PLACE DECIMALS (.00) ± .01	
		THREE PLACE DECIMALS (.000) ± .005	
		ANGLES ± 1°	
		RAW MATL - COMMERCIAL STANDARD	
MATERIAL		DRAWN	DATE
		GR	9/19/2024
		CHECKER	DATE
FINISH		APPROVED	DATE



PROPRIETARY NOTICE
THIS DRAWING IS THE PROPERTY OF JEWELL INSTRUMENTS, LLC. NEITHER THIS DOCUMENT NOR THE DATA CONTAINED HEREIN SHALL BE DISCLOSED, REPRODUCED IN WHOLE OR IN PART WITHOUT THE WRITTEN AUTHORIZATION OF JEWELL INSTRUMENTS, LLC. NO RIGHT IS GRANTED TO DISCLOSE OR SO USE ANY INFORMATION CONTAINED HEREIN. ALL RIGHTS RESERVED.

TITLE		RUBY MEMS DB9 CONNECTOR OUTLINE DRAWING	
DRAWING NO.		OD-02550431-DB9	
REV		1	
SCALE	CAGE CODE	SHEET 1 OF 2	
1.5:1	33005		