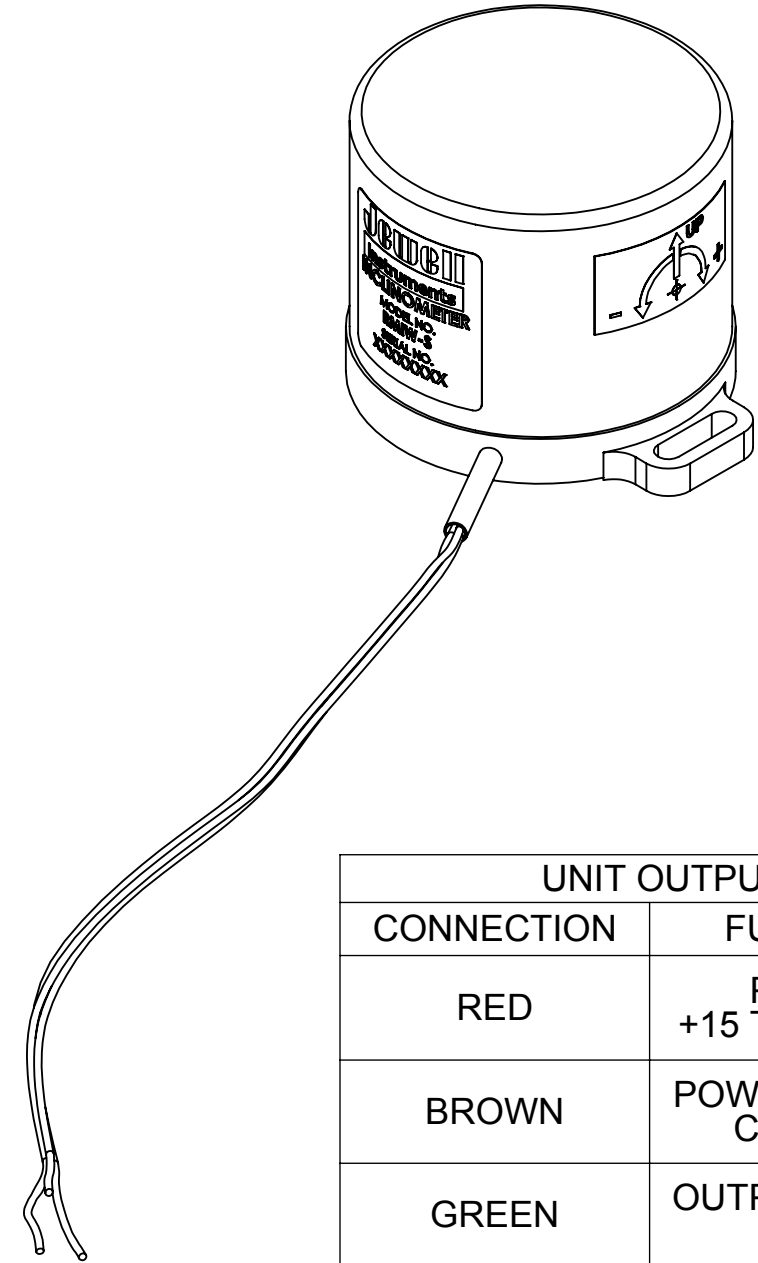
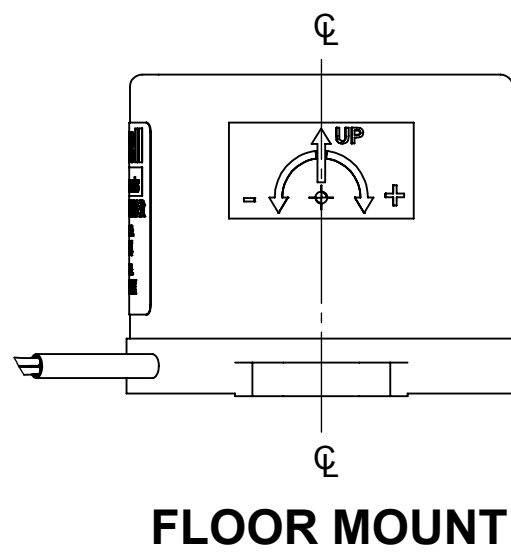
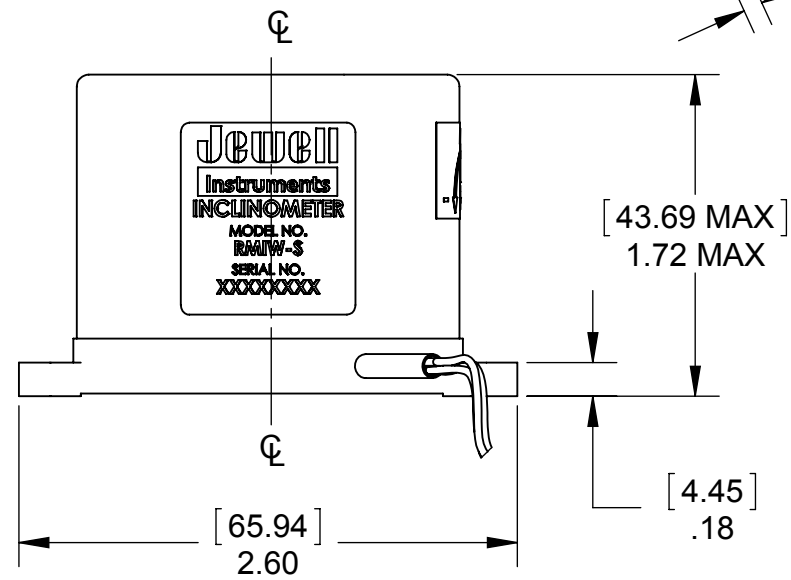
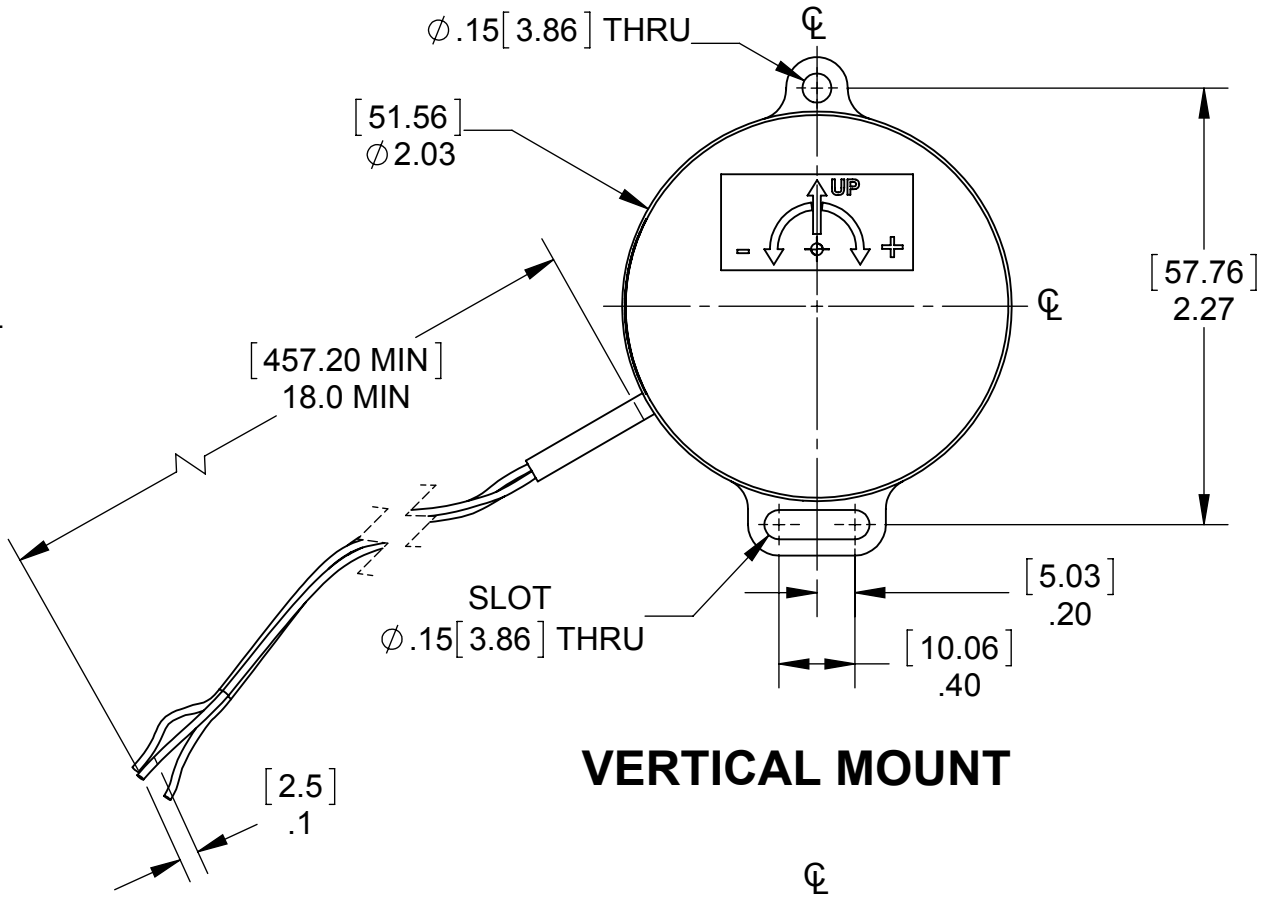
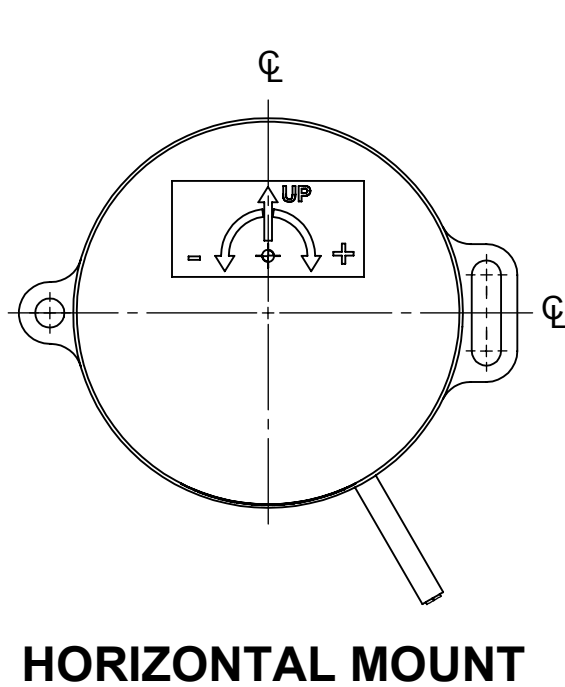



NOTES:
 1. UNITS [mm]
 inch



UNIT OUTPUT	
CONNECTION	FUNCTION
RED	POWER +15 TO +30 VDC
BROWN	POWER/ SIGNAL COMMON
GREEN	OUTPUT SIGNAL (Eo)

DIMENSIONS ARE IN INCHES AND APPLY TO PART BEFORE FINISHING		 MANCHESTER, NH TRIPLETT MODUTEC A&M EMICO	TITLE RMIW - SINGLE SUPPLY EMERALD SERIES	
TOLERANCE UNLESS SPECIFIED			DRAWING NO. OD02550290-000	REV A
TWO PLACE DECIMALS (.00) ± .01			SCALE 1:1	
THREE PLACE DECIMALS (.000) ± .005			CAGE CODE 33005	SHEET 1 OF 1
ANGLES ± 1°		PROPRIETARY NOTICE THIS DRAWING IS THE PROPERTY OF JEWELL INSTRUMENTS, LLC. NEITHER THIS DOCUMENT NOR THE DATA CONTAINED HEREIN SHALL BE DISCLOSED, REPRODUCED IN WHOLE OR IN PART WITHOUT THE WRITTEN AUTHORIZATION OF JEWELL INSTRUMENTS, LLC. NO RIGHT IS GRANTED TO DISCLOSE OR SO USE ANY INFORMATION CONTAINED HEREIN. ALL RIGHTS RESERVED.		
RAW MATL - COMMERCIAL STANDARD				