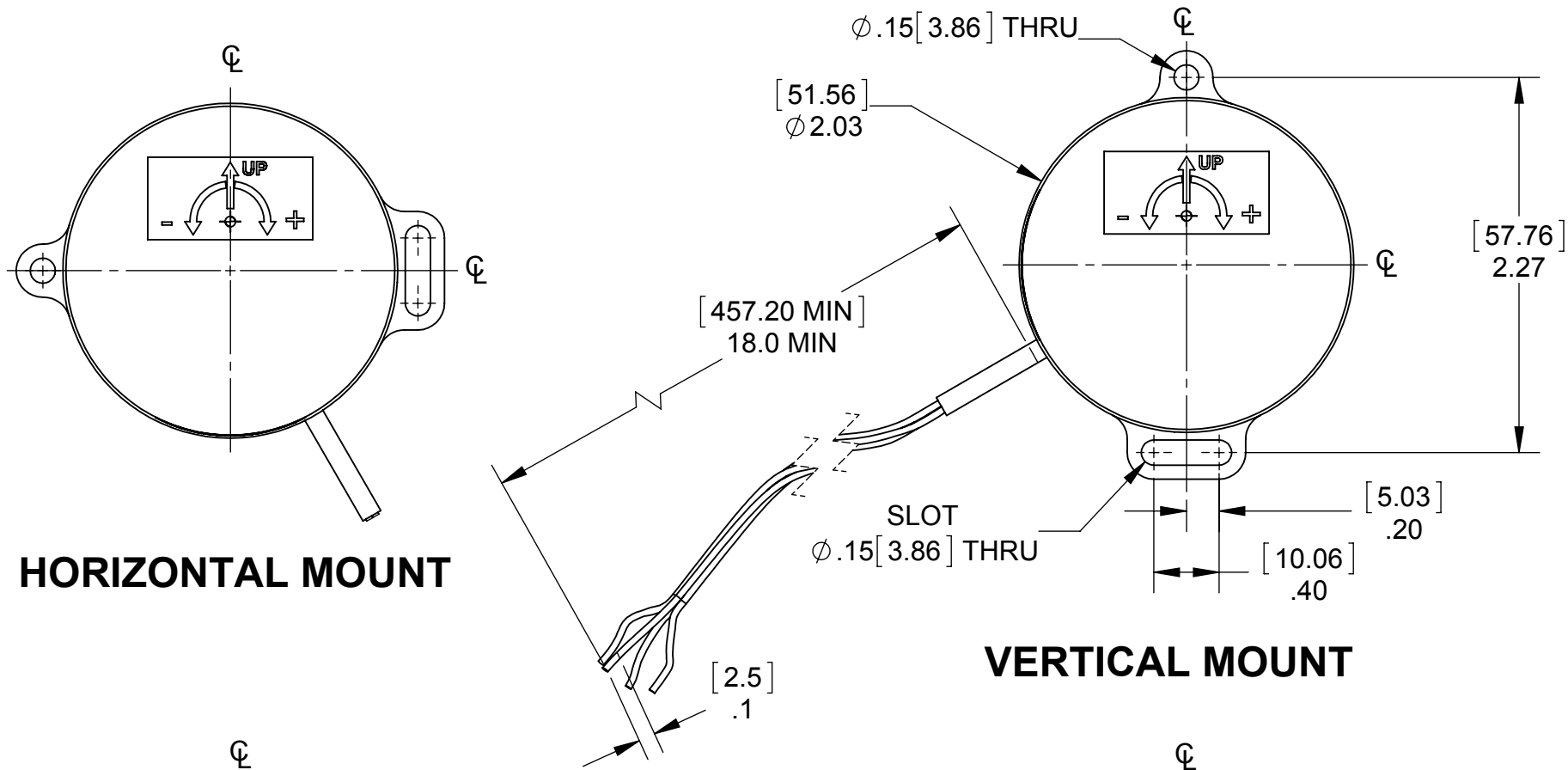
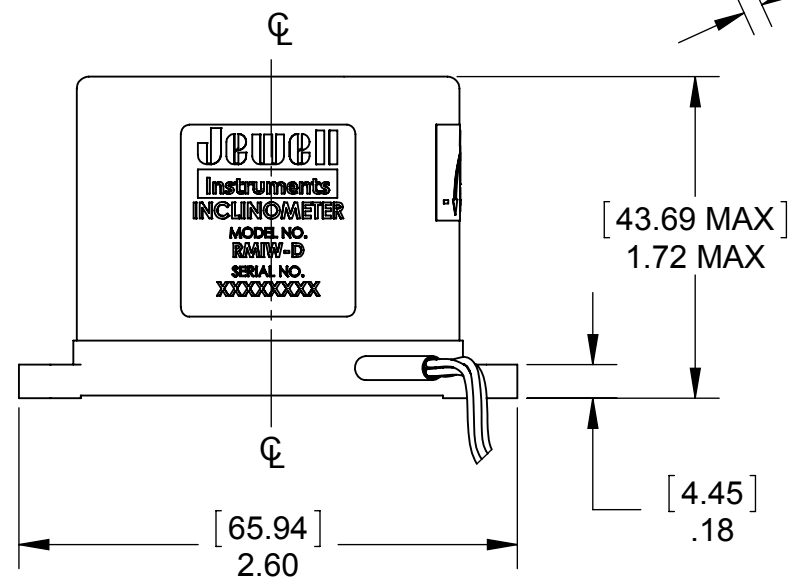


NOTES:  
 1. UNITS [mm]  
           inch

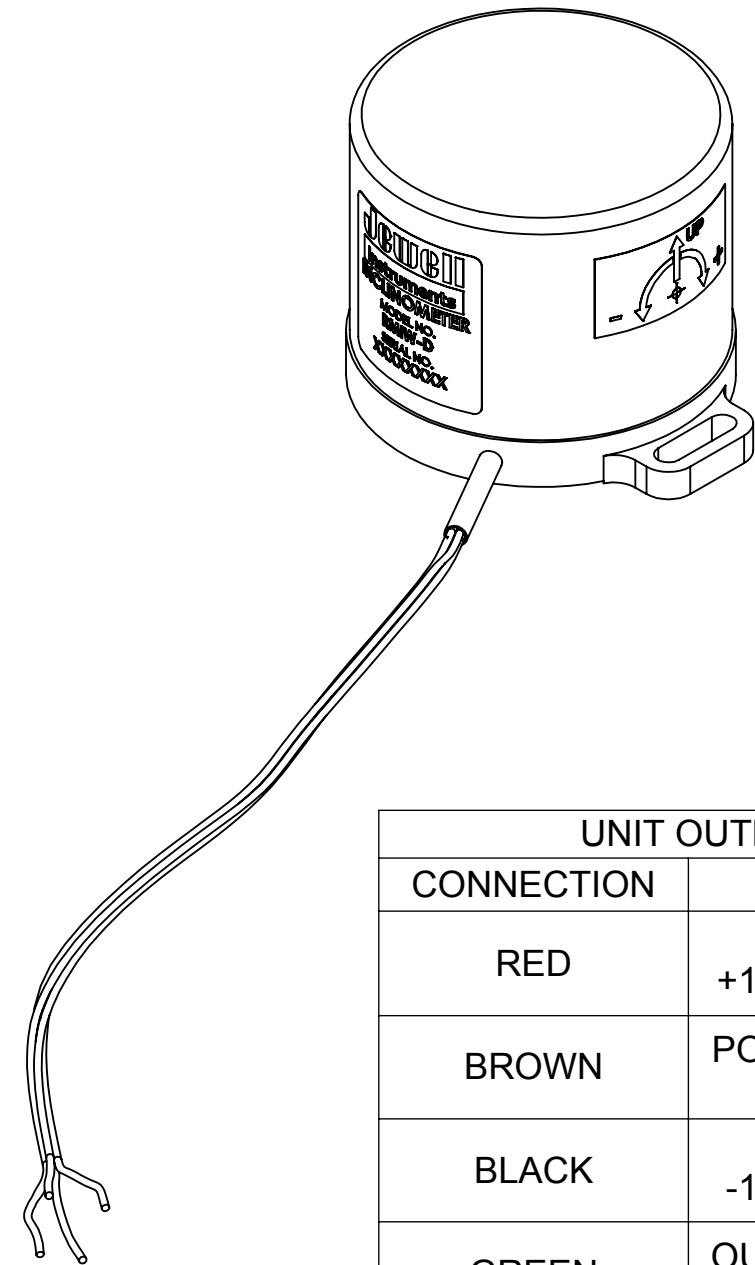


**HORIZONTAL MOUNT**

**VERTICAL MOUNT**



**FLOOR MOUNT**



UNIT OUTPUT	
CONNECTION	FUNCTION
RED	POWER +12 TO +18 VDC
BROWN	POWER/ SIGNAL COMMON
BLACK	POWER -12 TO -18 VDC
GREEN	OUTPUT SIGNAL (Eo)

	DIMENSIONS ARE IN INCHES AND APPLY TO PART BEFORE FINISHING
	TOLERANCE UNLESS SPECIFIED
	TWO PLACE DECIMALS (.00) ± .01
	THREE PLACE DECIMALS (.000) ± .005
	ANGLES ± 1°
	RAW MATL - COMMERCIAL STANDARD



MANCHESTER, NH  
 TRIPLETT MODUTEC A&M EMICO

PROPRIETARY NOTICE  
 THIS DRAWING IS THE PROPERTY OF JEWELL INSTRUMENTS, LLC. NEITHER THIS DOCUMENT NOR THE DATA CONTAINED HEREIN SHALL BE DISCLOSED, REPRODUCED IN WHOLE OR IN PART WITHOUT THE WRITTEN AUTHORIZATION OF JEWELL INSTRUMENTS, LLC. NO RIGHT IS GRANTED TO DISCLOSE OR SO USE ANY INFORMATION CONTAINED HEREIN. ALL RIGHTS RESERVED.

TITLE	
RMIW - DUAL SUPPLY EMERALD SERIES	
DRAWING NO.	REV
OD02550305-000	A
SCALE	CAGE CODE
1:1	33005
SHEET 1 OF 1	