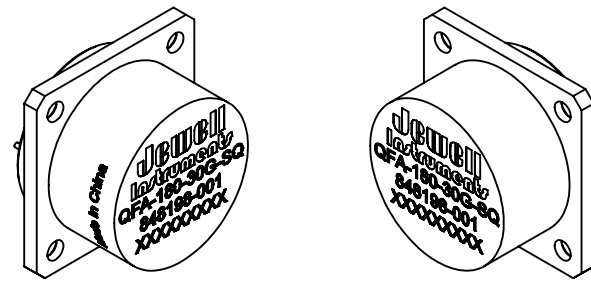
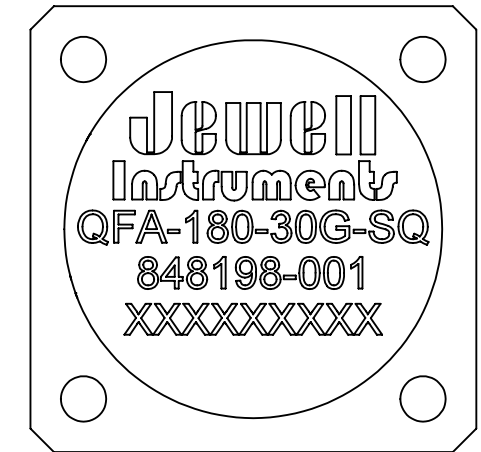
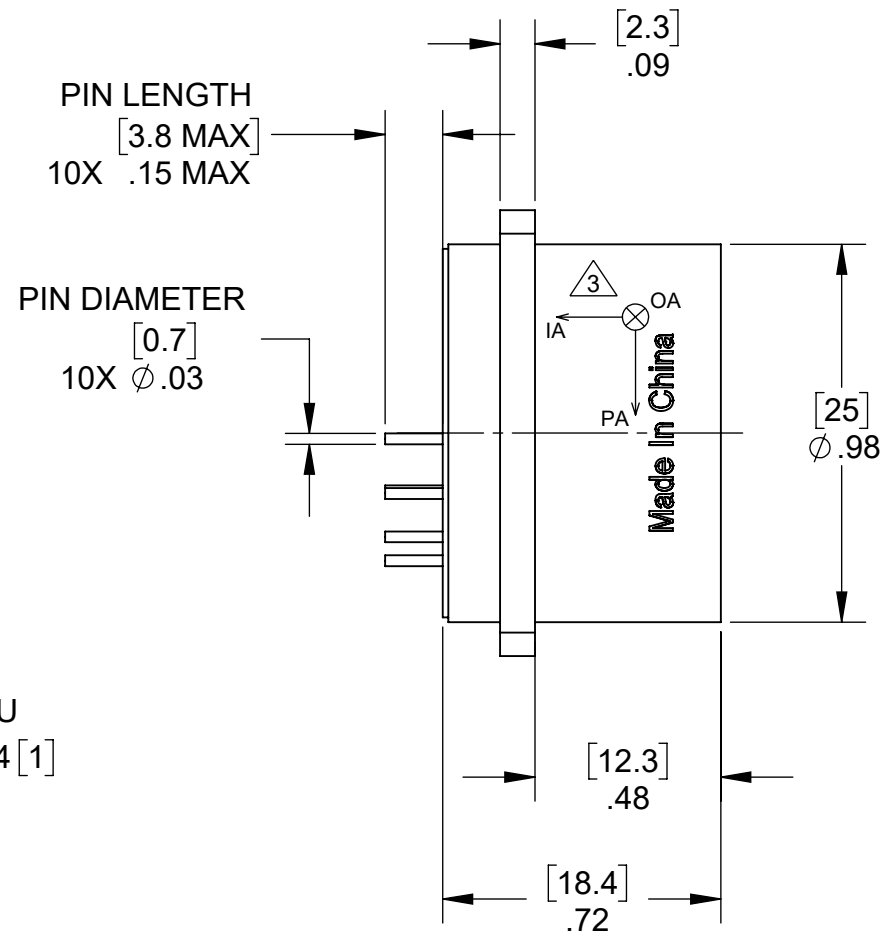
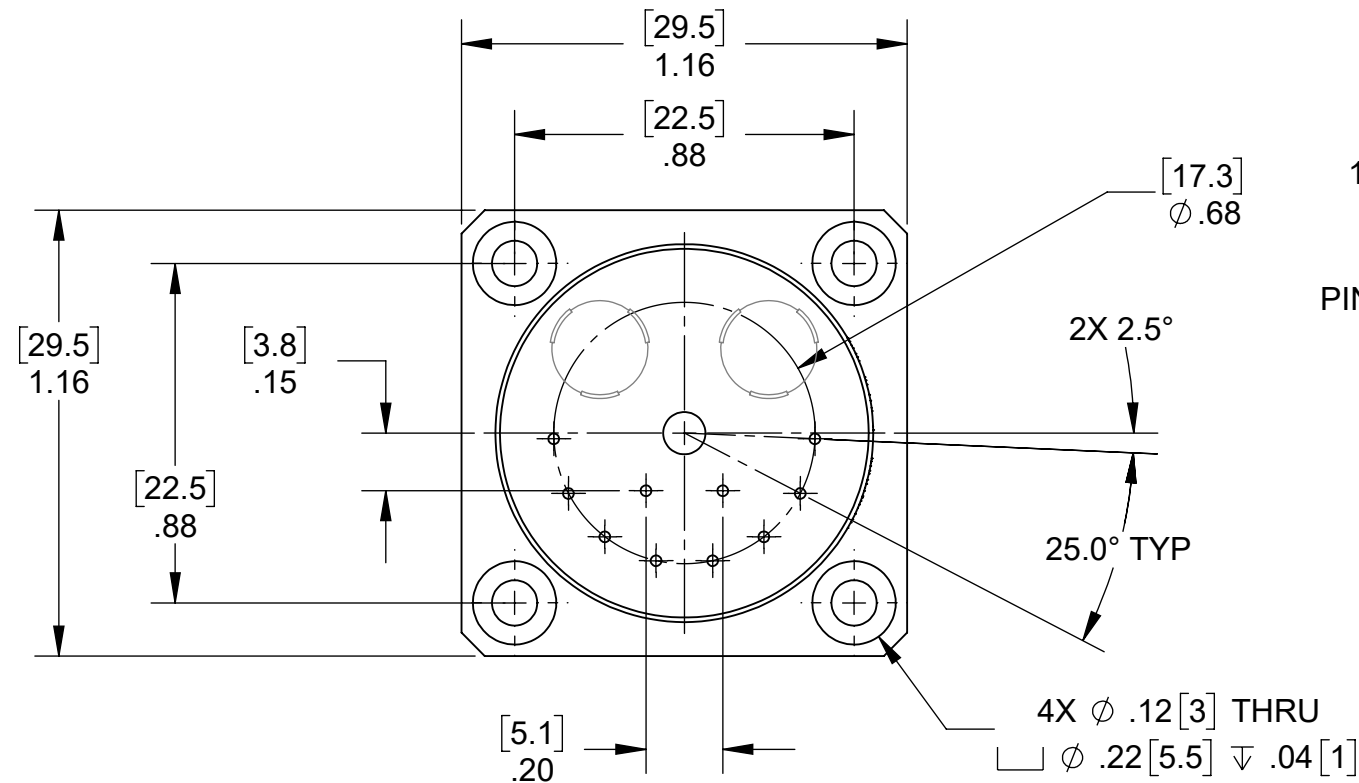


NOTES:

- OPERATING TEMPERATURE: -55°C TO +180°C
- INPUT VOLTAGE: ±12 TO ±18
- IA = SENSITIVE (INPUT) AXIS
OA = OUTPUT (HINGE) AXIS
PA = PENDULOUS AXIS
- INPUT CURRENT (QUIESCENT): 20 mA
- WEIGHT (GRAMS): 55 NOM.
- UNITS: $\frac{[mm]}{[Inch]}$



SCALE 1:1



PIN ASSIGNMENT	
PIN	DESCRIPTION
1	CURRENT OUTPUT (SIGNAL OUT)
2	FACTORY USE
3	-15 VDC
4	+15 VDC
5	FACTORY USE
6	TEMPERATURE SENSE OUTPUT (IuA/K)
7	FACTORY USE
8	SIGNAL & POWER RETURN
9	FACTORY USE
10	FACTORY USE

APPLICATION		DIMENSIONS ARE IN INCHES AND APPLY TO PART BEFORE FINISHING
USED ON	NEXT ASSY	
		TOLERANCE UNLESS SPECIFIED TWO PLACE DECIMALS (.00) ± .01 THREE PLACE DECIMALS (.000) ± .005 ANGLES ± 1° RAW MATL - COMMERCIAL STANDARD
MATERIAL	NA	
FINISH	NA	



MANCHESTER, NH
TRIPLETT MODUTEC A&M EMICO

PROPRIETARY NOTICE
THIS DRAWING IS THE PROPERTY OF JEWELL INSTRUMENTS, LLC. NEITHER THIS DOCUMENT NOR THE DATA CONTAINED HEREIN SHALL BE DISCLOSED, REPRODUCED IN WHOLE OR IN PART WITHOUT THE WRITTEN AUTHORIZATION OF JEWELL INSTRUMENTS, LLC. NO RIGHT IS GRANTED TO DISCLOSE OR SO USE ANY INFORMATION CONTAINED HEREIN. ALL RIGHTS RESERVED.

TITLE		
QFA-180-30G-SQ OUTLINE DRAWING		
DRAWING NO.	REV	
OD848198-001	E	
SCALE	CAGE CODE	SHEET 1 OF 1
2:1	33005	