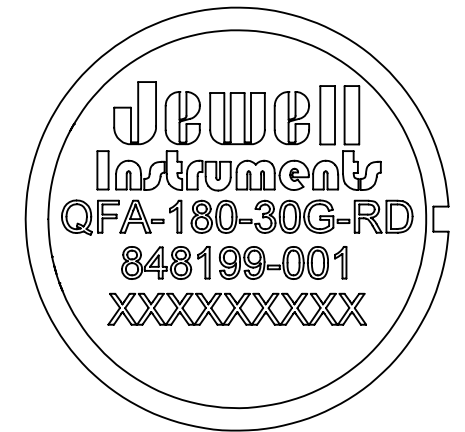
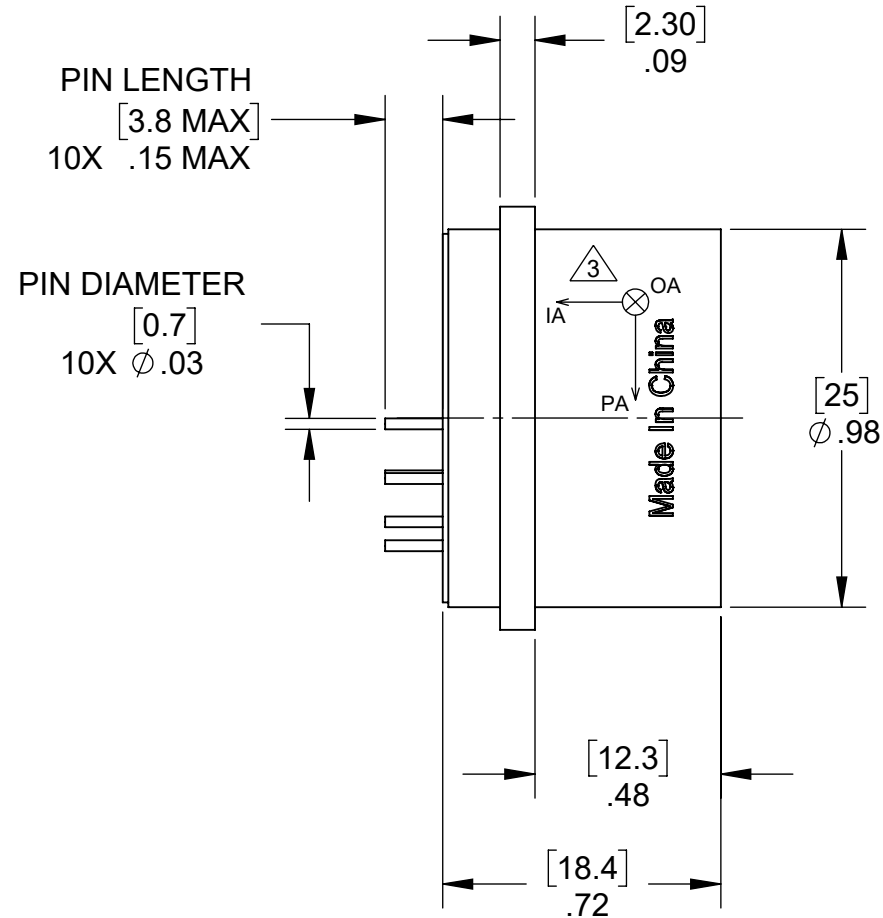
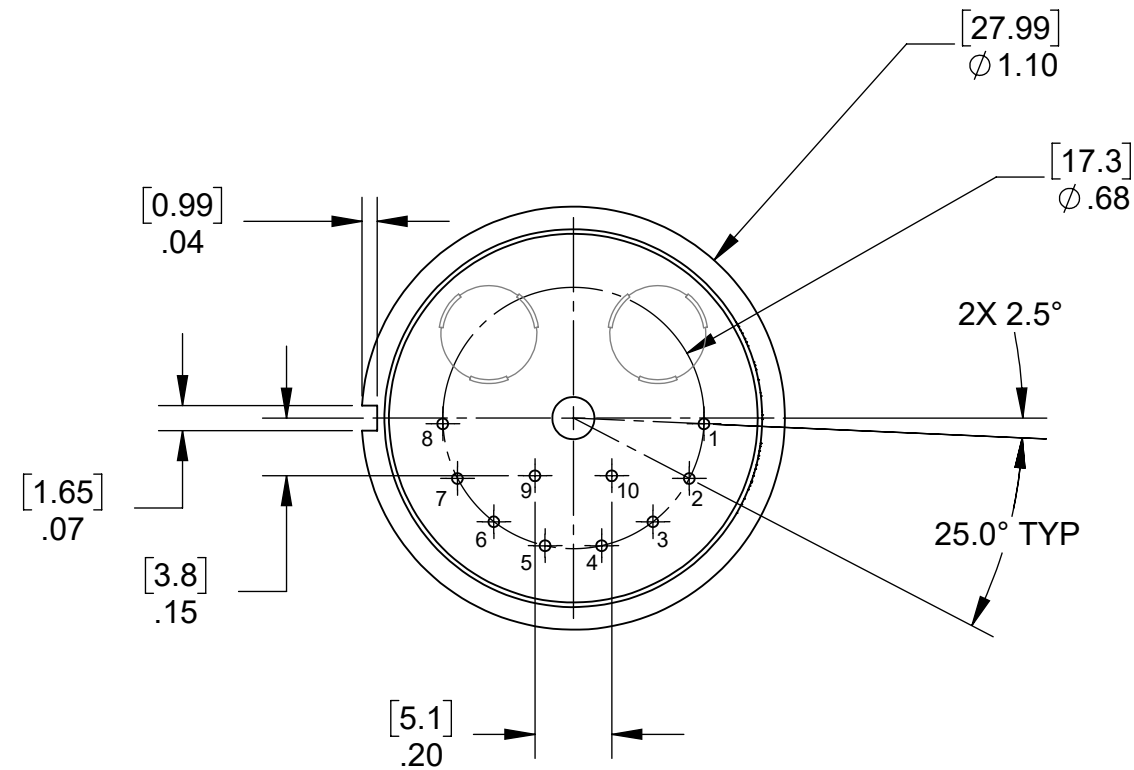


NOTES:

1. OPERATING TEMPERATURE: -55°C TO +180°C
2. INPUT VOLTAGE: ±12 TO ±18
3. \triangle IA = SENSITIVE (INPUT) AXIS
 OA = OUTPUT (HINGE) AXIS
 PA = PENDULOUS AXIS
4. INPUT CURRENT (QUIESCENT): 20 mA
5. WEIGHT (GRAMS): 55 NOM.
6. UNITS: $\frac{[mm]}{Inch}$



SCALE 1:1



PIN ASSIGNMENT	
PIN	DESCRIPTION
1	CURRENT OUTPUT (SIGNAL OUT)
2	FACTORY USE
3	-15 VDC
4	+15 VDC
5	FACTORY USE
6	TEMPERATURE SENSE OUTPUT (IuA/K)
7	FACTORY USE
8	SIGNAL & POWER RETURN
9	FACTORY USE
10	FACTORY USE

APPLICATION		DIMENSIONS ARE IN INCHES AND APPLY TO PART BEFORE FINISHING
USED ON	NEXT ASSY	TOLERANCE UNLESS SPECIFIED
		TWO PLACE DECIMALS (.00) ± .01
		THREE PLACE DECIMALS (.000) ± .005
		ANGLES ± 1°
MATERIAL		RAW MATL - COMMERCIAL STANDARD
FINISH		

Jewell Instruments
 MANCHESTER, NH
 TRIPLETT MODUTEC A&M EMICO

PROPRIETARY NOTICE
 THIS DRAWING IS THE PROPERTY OF JEWELL INSTRUMENTS, LLC. NEITHER THIS DOCUMENT NOR THE DATA CONTAINED HEREIN SHALL BE DISCLOSED, REPRODUCED IN WHOLE OR IN PART WITHOUT THE WRITTEN AUTHORIZATION OF JEWELL INSTRUMENTS, LLC. NO RIGHT IS GRANTED TO DISCLOSE OR SO USE ANY INFORMATION CONTAINED HEREIN. ALL RIGHTS RESERVED.

TITLE		QFA-180-30G-RD OUTLINE DRAWING	
DRAWING NO.		OD848199-001	
SCALE		CAGE CODE	REV
2:1		33005	E
		SHEET 1 OF 1	