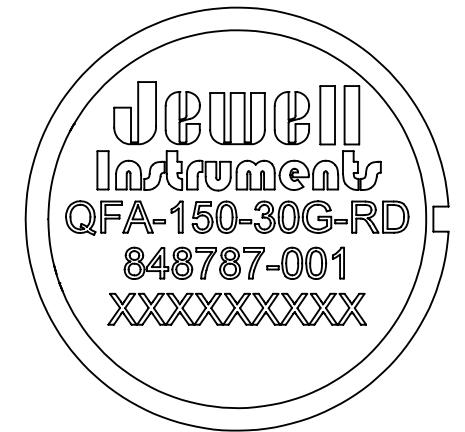
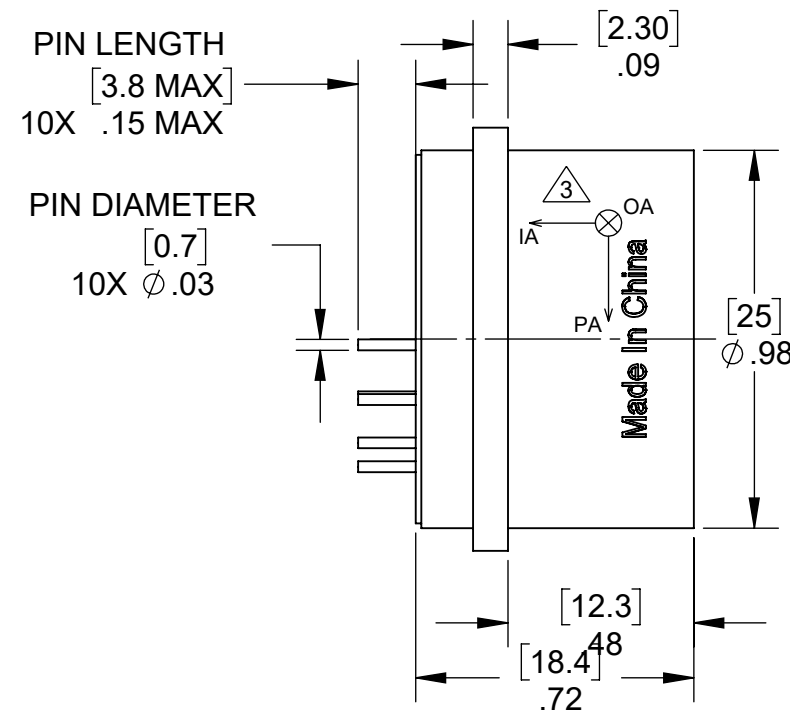
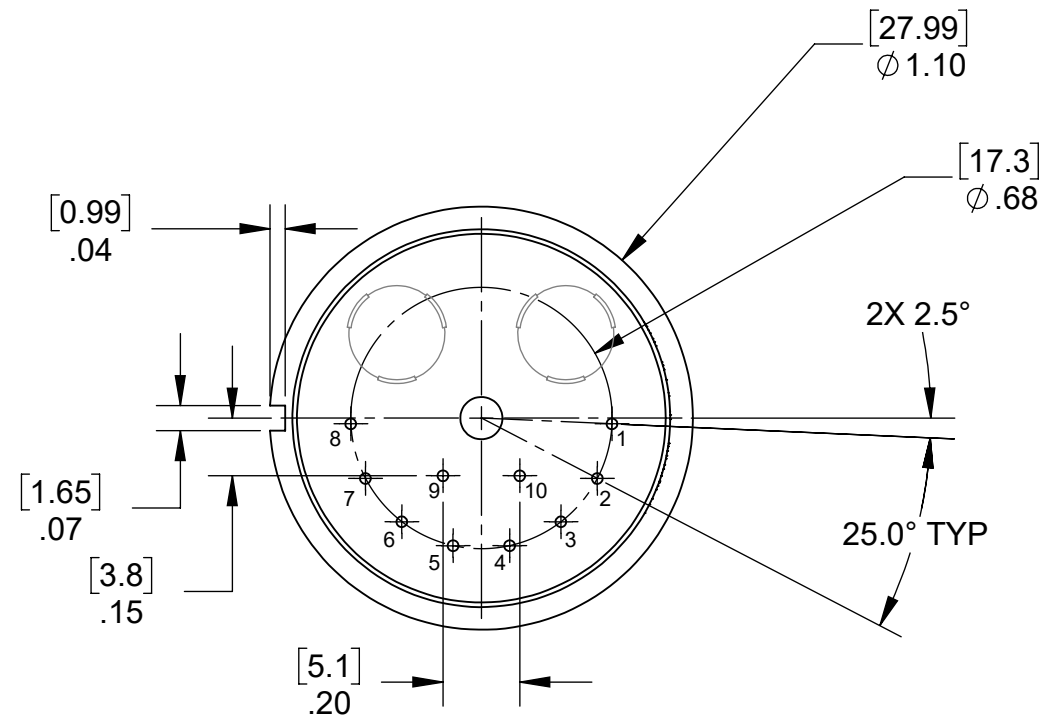


NOTES:

1. OPERATING TEMPERATURE: -55°C TO +150°C
2. INPUT VOLTAGE: ±12 TO ±18
3. IA = SENSITIVE (INPUT) AXIS
OA = OUTPUT (HINGE) AXIS
PA = PENDULOUS AXIS
4. INPUT CURRENT (QUIESCENT): 8-13 mA
5. WEIGHT (GRAMS): 55 NOM.
6. UNITS: $\frac{[mm]}{Inch}$



SCALE 1:1



| PIN ASSIGNMENT | |
|----------------|----------------------------------|
| PIN | DESCRIPTION |
| 1 | CURRENT OUTPUT (SIGNAL OUT) |
| 2 | FACTORY USE |
| 3 | -15 VDC |
| 4 | +15 VDC |
| 5 | FACTORY USE |
| 6 | TEMPERATURE SENSE OUTPUT (IuA/K) |
| 7 | FACTORY USE |
| 8 | SIGNAL & POWER RETURN |
| 9 | FACTORY USE |
| 10 | FACTORY USE |

| APPLICATION | | DIMENSIONS ARE IN INCHES AND APPLY TO PART BEFORE FINISHING |
|-------------|-----------|---|
| USED ON | NEXT ASSY | TOLERANCE UNLESS SPECIFIED |
| | | TWO PLACE DECIMALS (.00) ± .01 |
| | | THREE PLACE DECIMALS (.000) ± .005 |
| | | ANGLES ± 1° |
| | | RAW MATL - COMMERCIAL STANDARD |
| MATERIAL | NA | |
| FINISH | NA | |



MANCHESTER, NH
TRIPLETT MODUTEC A&M EMICO

PROPRIETARY NOTICE
THIS DRAWING IS THE PROPERTY OF JEWELL INSTRUMENTS, LLC. NEITHER THIS DOCUMENT NOR THE DATA CONTAINED HEREIN SHALL BE DISCLOSED, REPRODUCED IN WHOLE OR IN PART WITHOUT THE WRITTEN AUTHORIZATION OF JEWELL INSTRUMENTS, LLC. NO RIGHT IS GRANTED TO DISCLOSE OR SO USE ANY INFORMATION CONTAINED HEREIN. ALL RIGHTS RESERVED.

| TITLE | | |
|--------------------------------------|-----------|--------------|
| QFA-150-30G-RD-LC OUTLINE DRAWING | | |
| DRAWING NO. | REV | |
| OD848787-001 | A | |
| SCALE | CAGE CODE | SHEET 1 OF 1 |
| 2:1 | 33005 | |