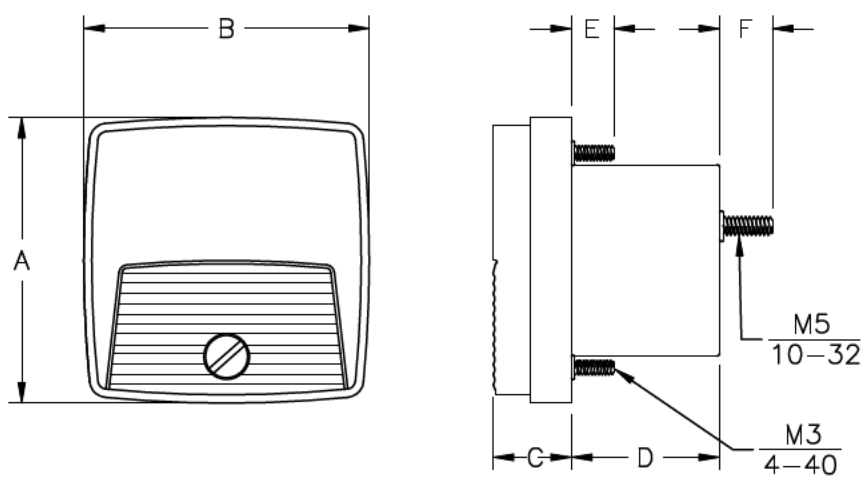
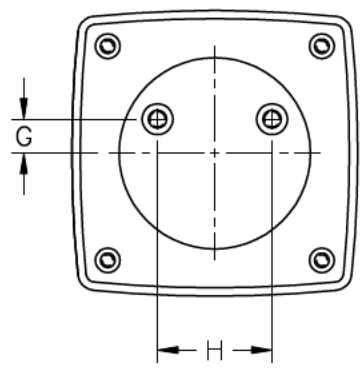


PB Series

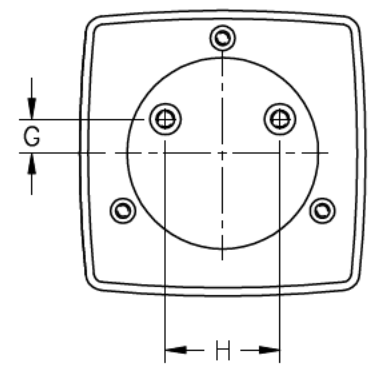


Rear view 1PB, 4PB



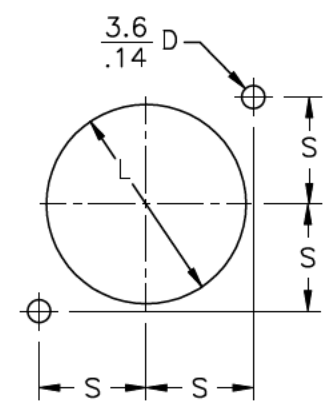
Rear view 2PB, 3PB

Optional: Available in 4 stud mtg

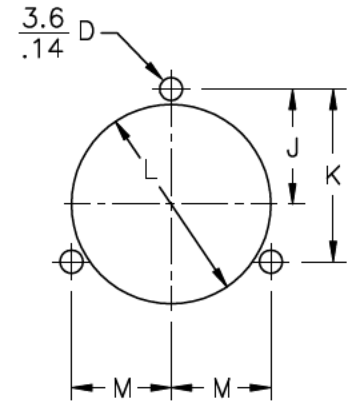


DIMENSIONAL DATA PB SERIES

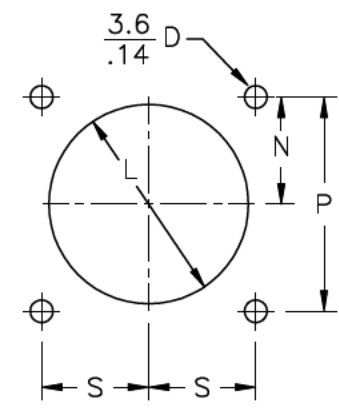
		A	B	C	D	E	F	G	H	J	K	L	M	N	P	S
1PB	mm.	44.5	44.5	12.7	29.0	12.7	6.35	4.06	22.4			38.9		16.7	33.4	16.7
	in.	1.75	1.75	.50	1.14	.50	.25	.16	.96			1.53		.656	1.31	.656
2PB	mm.	68.6	68.6	12.7	28.6	12.7	16.3	9.40	28.4	31.0	46.5	55.9	26.8	23.9	47.8	23.9
	in.	2.70	2.70	.50	1.124	.50	.64	.37	1.12	1.22	1.83	2.20	1.06	.94	1.88	.94
3PB	mm.	88.9	88.9	12.7	28.6	12.7	16.3	1.3	28.4	40.1	60.2	69.9	34.8	28.6	57.2	28.6
	in.	3.50	3.50	.50	1.124	.50	.64	.05	1.12	1.58	2.37	2.75	1.37	1.125	2.25	1.125
4PB	mm.	112.0	123.2	12.7	30.5	12.7	16.3	0.38	28.4			70.9		51.6	90.4	50.8
	in.	4.41	4.85	.50	1.20	.50	.64	.015	1.12			2.79		2.03	3.56	2.00



2-stud panel cutout



3-stud panel cutout



4-stud panel cutout

TOLERANCE UNLESS SPECIFIED	
RAW MATERIAL - COMMERCIAL STANDARD	
DIMENSIONS ARE IN INCHES.	
MATERIAL	
FINISH	

USED ON	NEXT ASSY
THIS DRAWING COVERS A PROPRIETARY ITEM AND IS THE PROPERTY OF JEWELL INSTRUMENTS, LLC. THIS DRAWING IS NOT TO BE COPIED OR USED WITHOUT PERMISSION.	

PB SERIES
 1" PB, 2" PB, 3" PB, 4" PB
OUTLINE

SCALE NONE EPA NO. 11229

Jewell
 INSTRUMENTS, LLC.
 MANCHESTER NEW HAMPSHIRE

DWG. NO. **PB SERIES**

CODE 33005 CAT. NO.