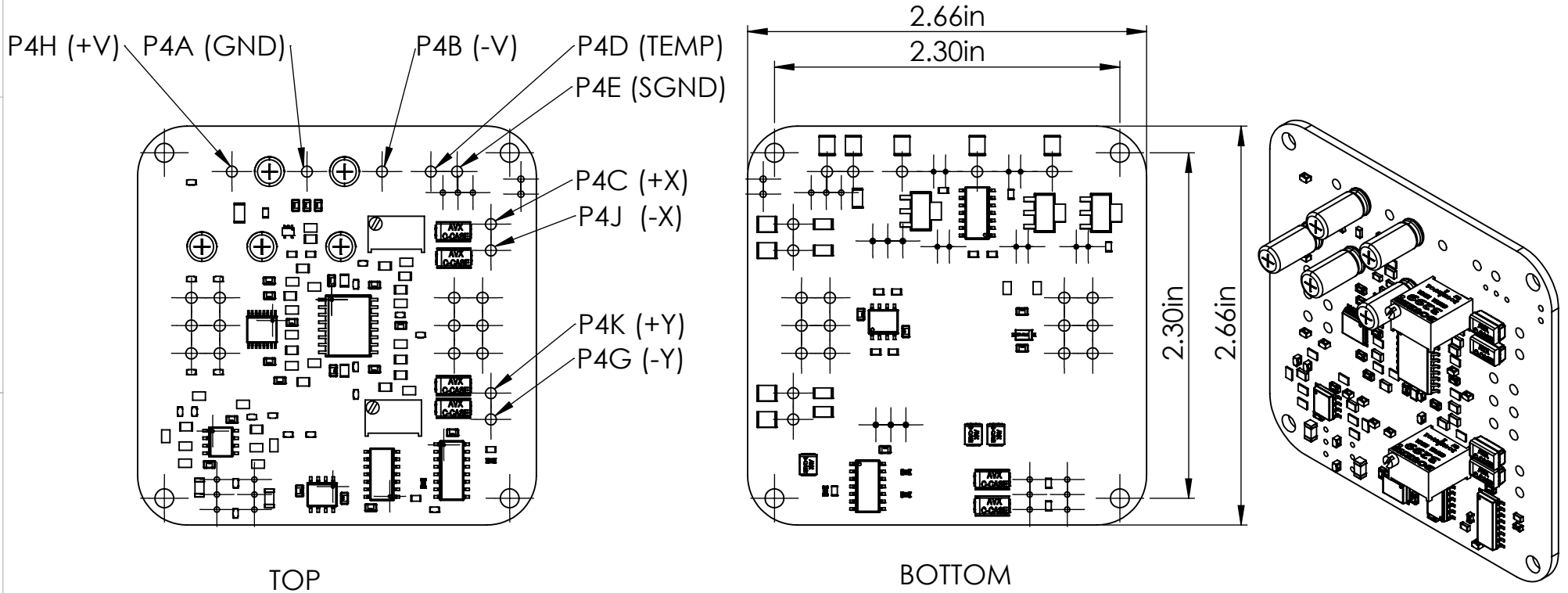


NOTES:
1.

REVISIONS				
REV.	DESCRIPTION	ECO #	DATE	ENGINEER
C	OD DRAWN IN SLDWKS ADDED PINOUT TABLE		1/23/2024	DWK



LOCATION	FUNCTION
P4A	GND
P4B	- V In
P4C	SIG + X
P4D	TEMP Out
P4E	SIG GND
P4G	SIG + Y
P4H	+ V In
P4J	SIG - X
P4K	SIG - Y

APPLICATION		DIMENSIONS ARE IN INCHES AND APPLY TO PART BEFORE FINISHING	
USED ON	NEXT ASSY	TOLERANCE UNLESS SPECIFIED	
		TWO PLACE DECIMALS (.00) ± .01	
		THREE PLACE DECIMALS (.000) ± .005	
		ANGLES ± 1°	
MATERIAL		RAW MATL - COMMERCIAL STANDARD	
		DRAWN	DATE
		DWK	1/22/2024
		CHECKER	DATE
FINISH		APPROVED	DATE



MANCHESTER, NH
TRIPLETT MODUTEC A&M EMICO

PROPRIETARY NOTICE
THIS DRAWING IS THE PROPERTY OF JEWELL INSTRUMENTS, LLC. NEITHER THIS DOCUMENT NOR THE DATA CONTAINED HEREIN SHALL BE DISCLOSED, REPRODUCED IN WHOLE OR IN PART WITHOUT THE WRITTEN AUTHORIZATION OF JEWELL INSTRUMENTS, LLC. NO RIGHT IS GRANTED TO DISCLOSE OR SO USE ANY INFORMATION CONTAINED HEREIN. ALL RIGHTS RESERVED.

TITLE			
PCA A7XX ROHS OUTLINE DRAWING			
DRAWING NO.		REV	
ODF879886		C	
SCALE	CAGE CODE	SHEET 1 OF 1	
1:1	33005		