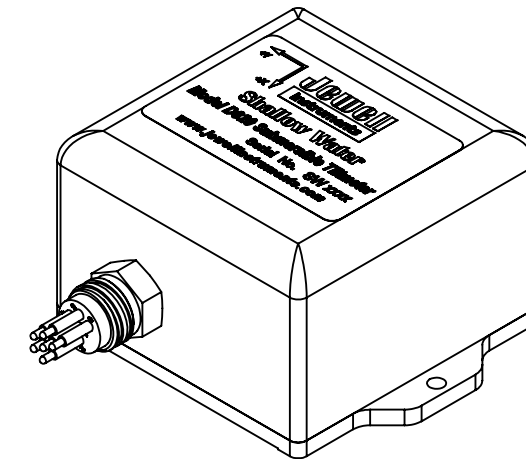
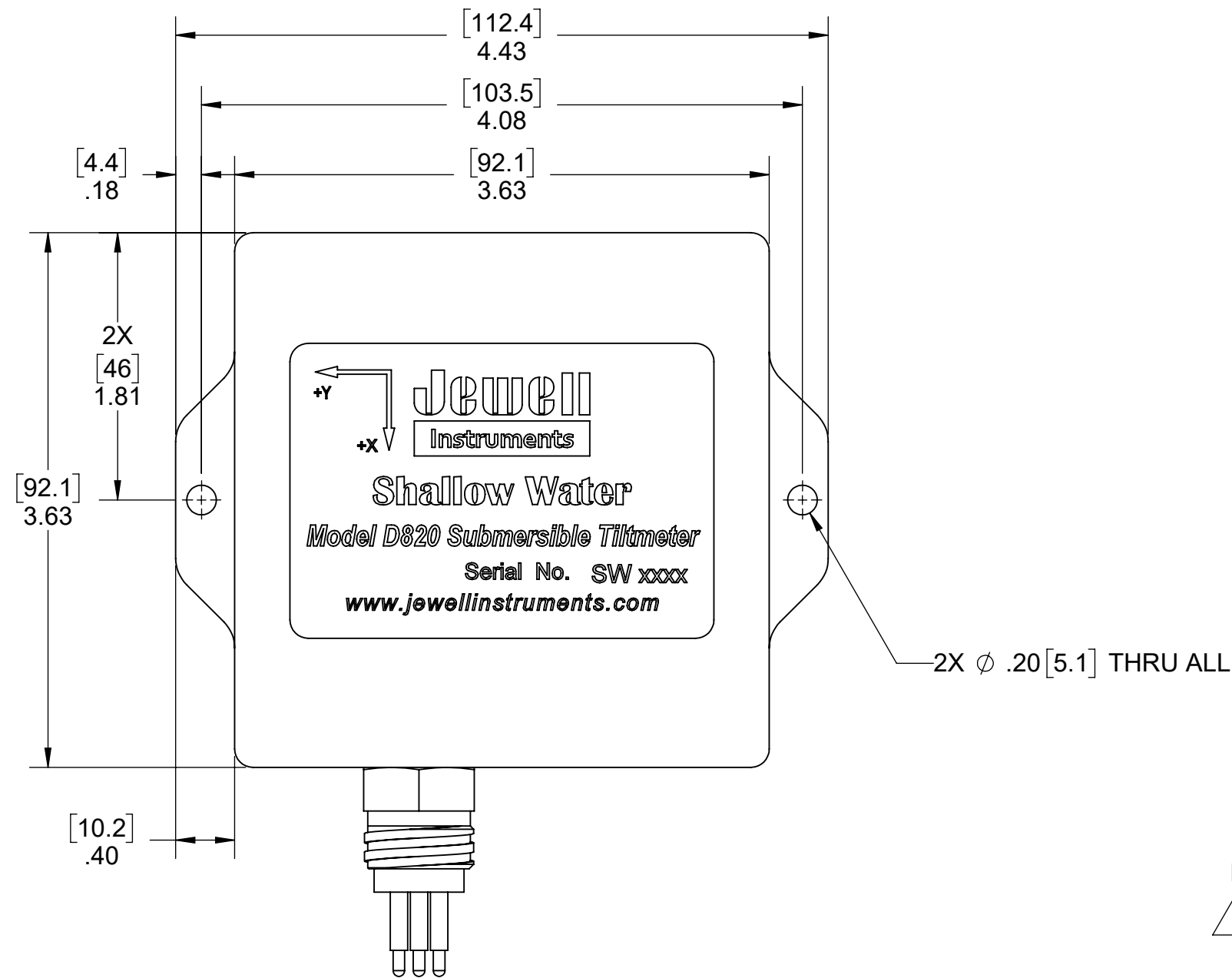
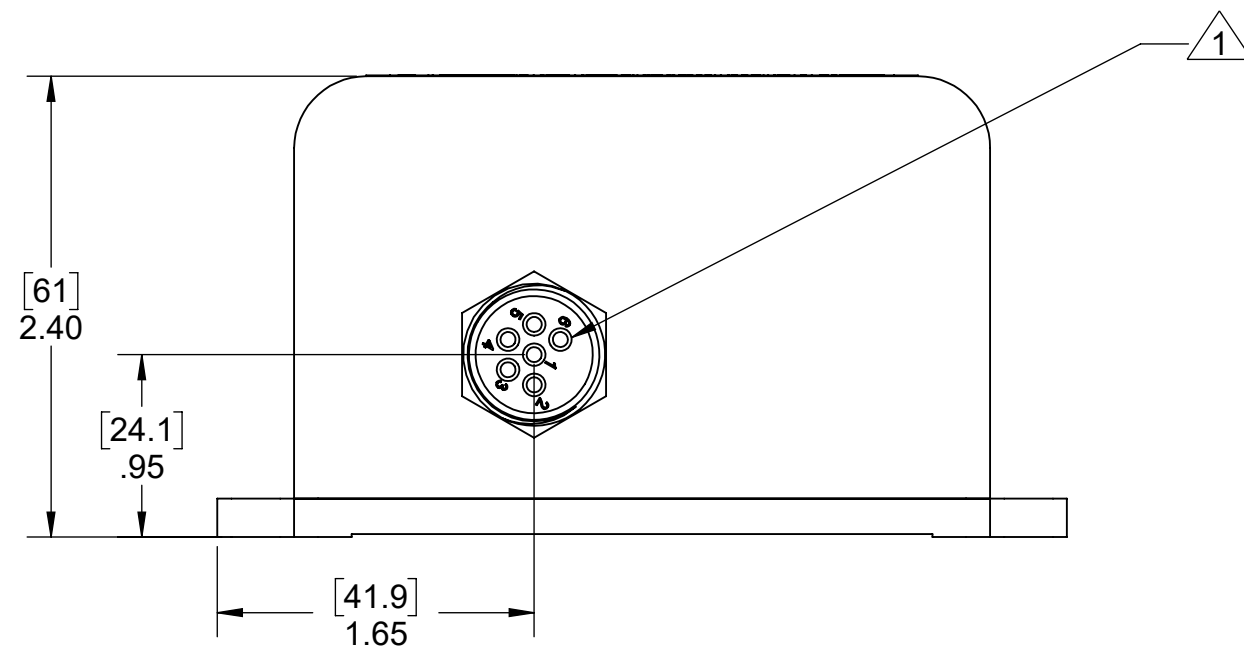


REVISIONS				
REV.	DESCRIPTION	ECO #	DATE	ENGINEER
A	NEW RELEASE	30543	6/10/2022	JES



NOTES:

1. CONNECTOR PART NUMBER: SUBCONN MCBH6M. MATES WITH SUBCONN MCIL6F



CONNECTOR PINOUT		
PIN	RS232 FUNCTION	RS422 FUNCTION
3	PWR	PWR
1	GND	GND
4	RXD (RS232)	TX+ (RS422)
2		TX- (RS422)
5		RX- (RS422)
6	TXD (RS232)	RX+ (RS422)

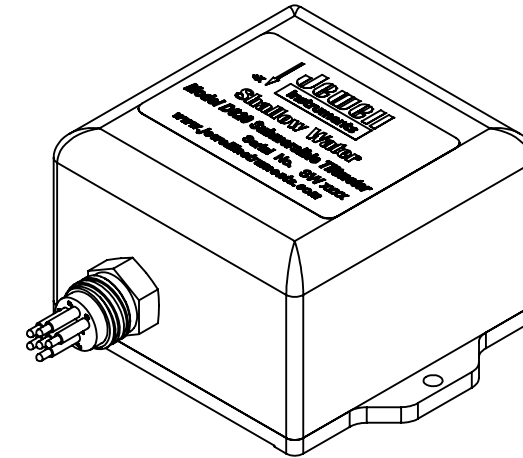
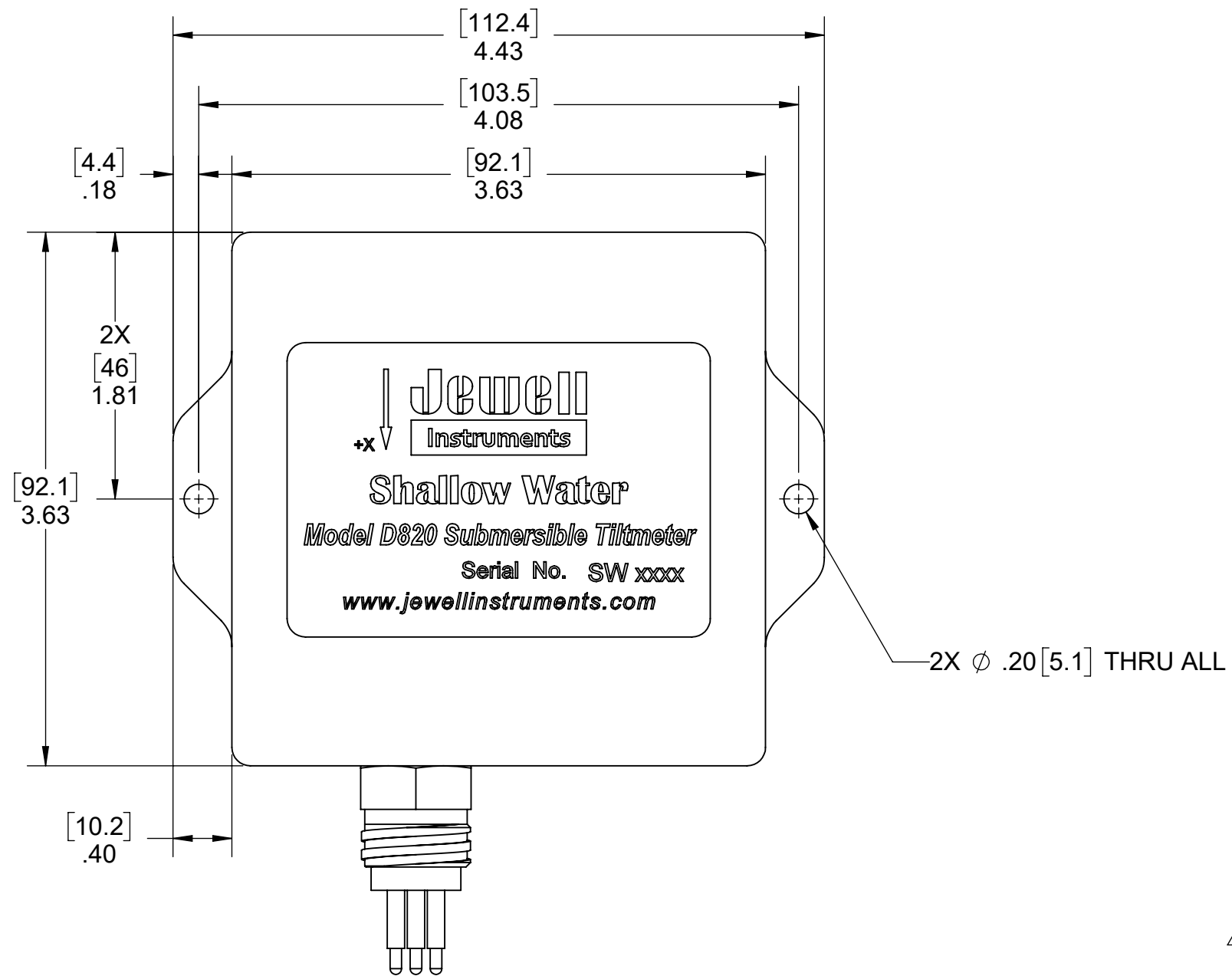
MATERIAL	DIMENSIONS UNITS ARE: [mm] INCH
FINISH	TOLERANCE UNLESS SPECIFIED TWO PLACE DECIMALS .00 ± .01 THREE PLACE DECIMALS .000 ± .005 ANGLES ± 1°
CHECKED BY	DATE
APPROVED BY	DATE

DRAWN BY GN DATE 2/24/2020

Jewell Instruments
MANCHESTER, NH
TRIPLETT MODUTEC A&M EMICO

PROPRIETARY NOTICE
THIS DRAWING IS THE PROPERTY OF JEWELL INSTRUMENTS, LLC. NEITHER THIS DOCUMENT NOR THE DATA CONTAINED HEREIN SHALL BE DISCLOSED, REPRODUCED IN WHOLE OR IN PART WITHOUT THE WRITTEN AUTHORIZATION OF JEWELL INSTRUMENTS, LLC. NO RIGHT IS GRANTED TO DISCLOSE OR SO USE ANY INFORMATION CONTAINED HEREIN. ALL RIGHTS RESERVED.

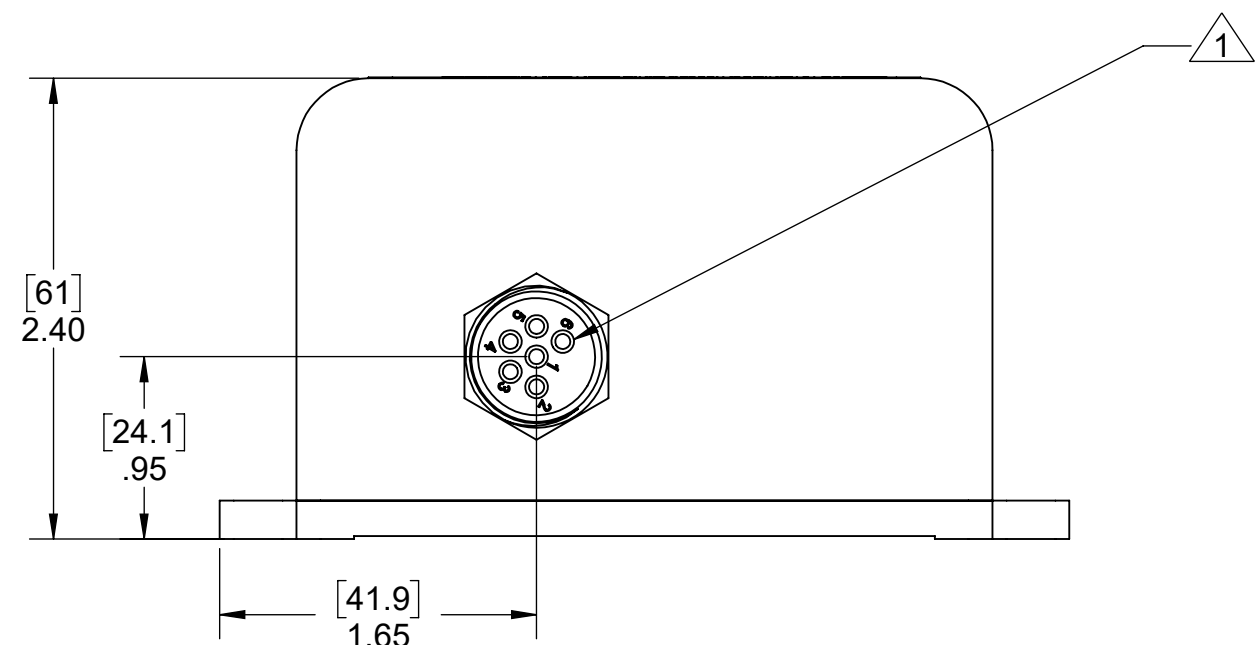
TITLE BIAXIAL D820 OUTLINE DRAWING	
DRAWING NO. OD98822	REV. A
SCALE 1:1	CAGE CODE 33005
SHEET 1 OF 3	



2X ϕ .20 [5.1] THRU ALL

NOTES:

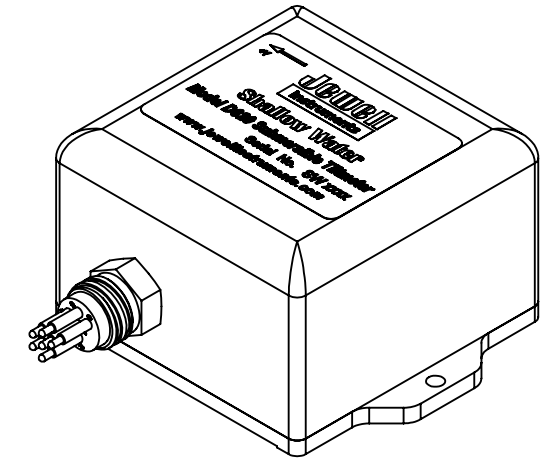
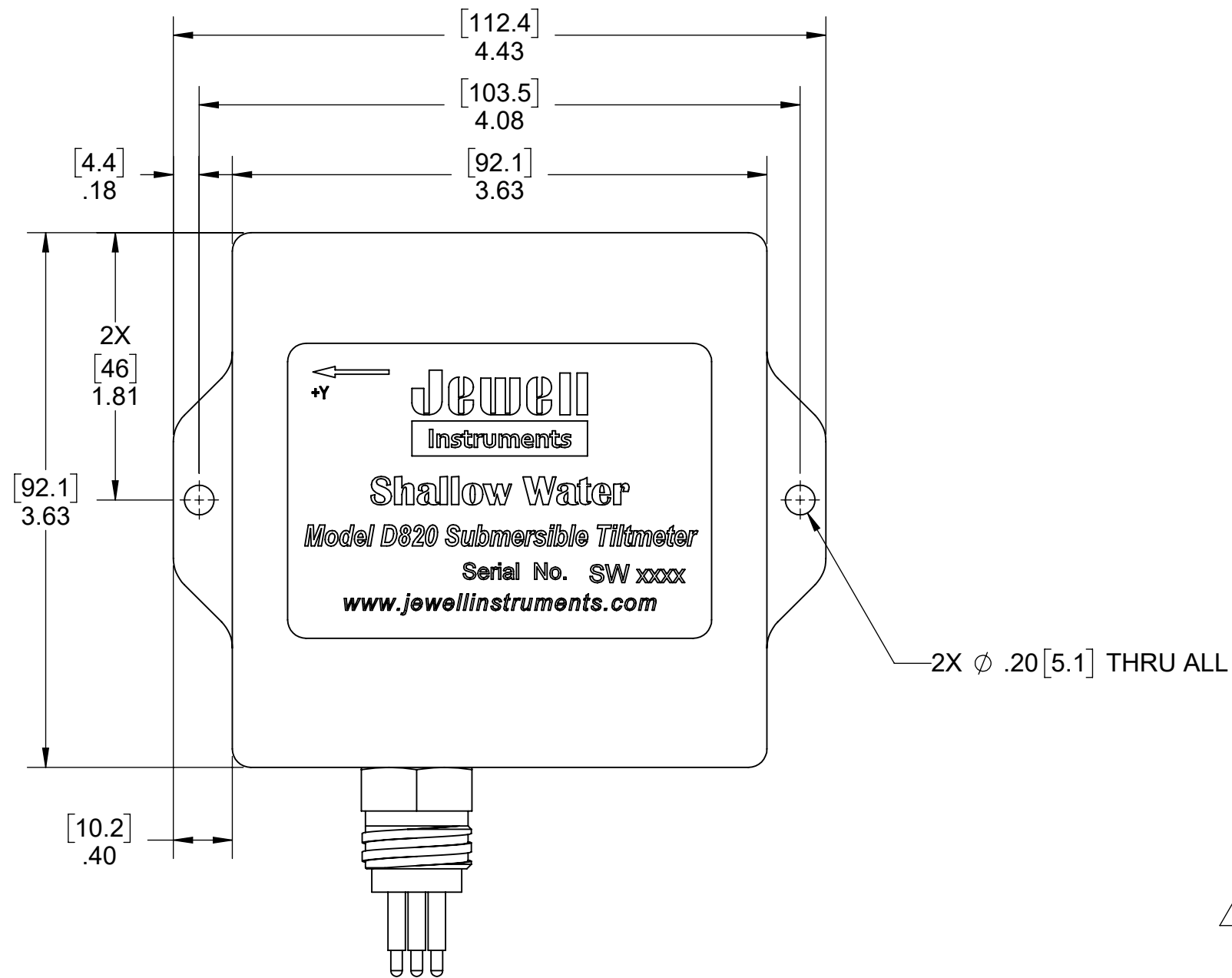
- 1. CONNECTOR PART NUMBER: SUBCONN MCBH6M. MATES WITH SUBCONN MCIL6F



CONNECTOR PINOUT		
PIN	RS232 FUNCTION	RS422 FUNCTION
3	PWR	PWR
1	GND	GND
4	RXD (RS232)	TX+ (RS422)
2		TX- (RS422)
5		RX- (RS422)
6	TXD (RS232)	RX+ (RS422)

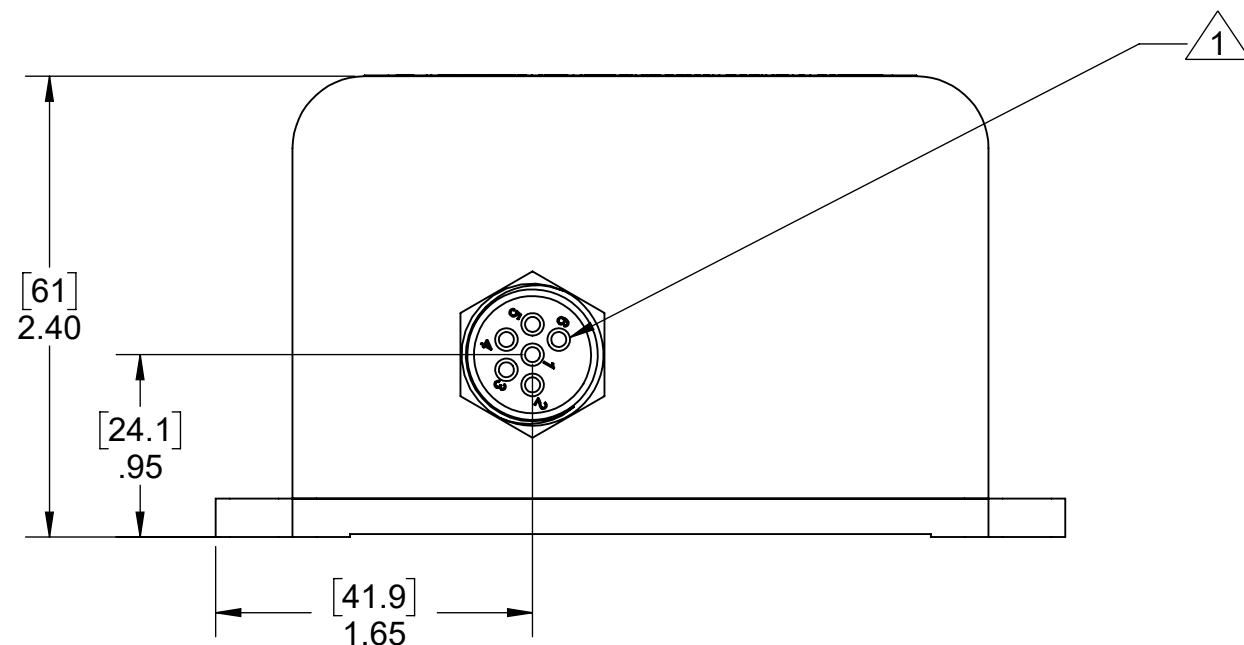
MATERIAL	DIMENSIONS UNITS ARE: [mm] INCH		TITLE	
	TOLERANCE UNLESS SPECIFIED TWO PLACE DECIMALS .00 ± .01 THREE PLACE DECIMALS .000 ± .005 ANGLES ± 1°		X (TRANSVERSE) D820 OUTLINE DRAWING	
FINISH	DRAWN BY GN	MANCHESTER, NH TRIPLETT MODUTEC A&M EMICO	DRAWING NO. OD98822	REV. A
CHECKED BY	DATE	DATE 2/24/2020	SCALE 1:1	CAGE CODE 33005
APPROVED BY	DATE		SHEET 2 OF 3	

PROPRIETARY NOTICE
THIS DRAWING IS THE PROPERTY OF JEWELL INSTRUMENTS, LLC. NEITHER THIS DOCUMENT NOR THE DATA CONTAINED HEREIN SHALL BE DISCLOSED, REPRODUCED IN WHOLE OR IN PART WITHOUT THE WRITTEN AUTHORIZATION OF JEWELL INSTRUMENTS, LLC. NO RIGHT IS GRANTED TO DISCLOSE OR SO USE ANY INFORMATION CONTAINED HEREIN. ALL RIGHTS RESERVED.



NOTES:

1. CONNECTOR PART NUMBER: SUBCONN MCBH6M. MATES WITH SUBCONN MCIL6F



CONNECTOR PINOUT

PIN	RS232 FUNCTION	RS422 FUNCTION
3	PWR	PWR
1	GND	GND
4	RXD (RS232)	TX+ (RS422)
2		TX- (RS422)
5		RX- (RS422)
6	TXD (RS232)	RX+ (RS422)

MATERIAL	DIMENSIONS UNITS ARE: [mm] INCH	
FINISH	TOLERANCE UNLESS SPECIFIED	
	TWO PLACE DECIMALS	.00 ± .01
	THREE PLACE DECIMALS	.000 ± .005
	ANGLES	± 1°
CHECKED BY	DATE	
APPROVED BY	DATE	

Jewell Instruments
 MANCHESTER, NH
 TRIPLETT MODUTEC A&M EMICO

PROPRIETARY NOTICE
 THIS DRAWING IS THE PROPERTY OF JEWELL INSTRUMENTS, LLC. NEITHER THIS DOCUMENT NOR THE DATA CONTAINED HEREIN SHALL BE DISCLOSED, REPRODUCED IN WHOLE OR IN PART WITHOUT THE WRITTEN AUTHORIZATION OF JEWELL INSTRUMENTS, LLC. NO RIGHT IS GRANTED TO DISCLOSE OR SO USE ANY INFORMATION CONTAINED HEREIN. ALL RIGHTS RESERVED.

TITLE Y (LONGITUDINAL) D820 OUTLINE DRAWING	
DRAWING NO. OD98822	REV. A
SCALE 1:1	CAGE CODE 33005
SHEET 3 OF 3	