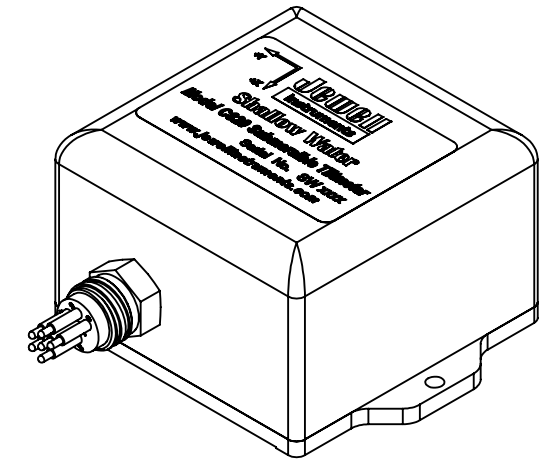
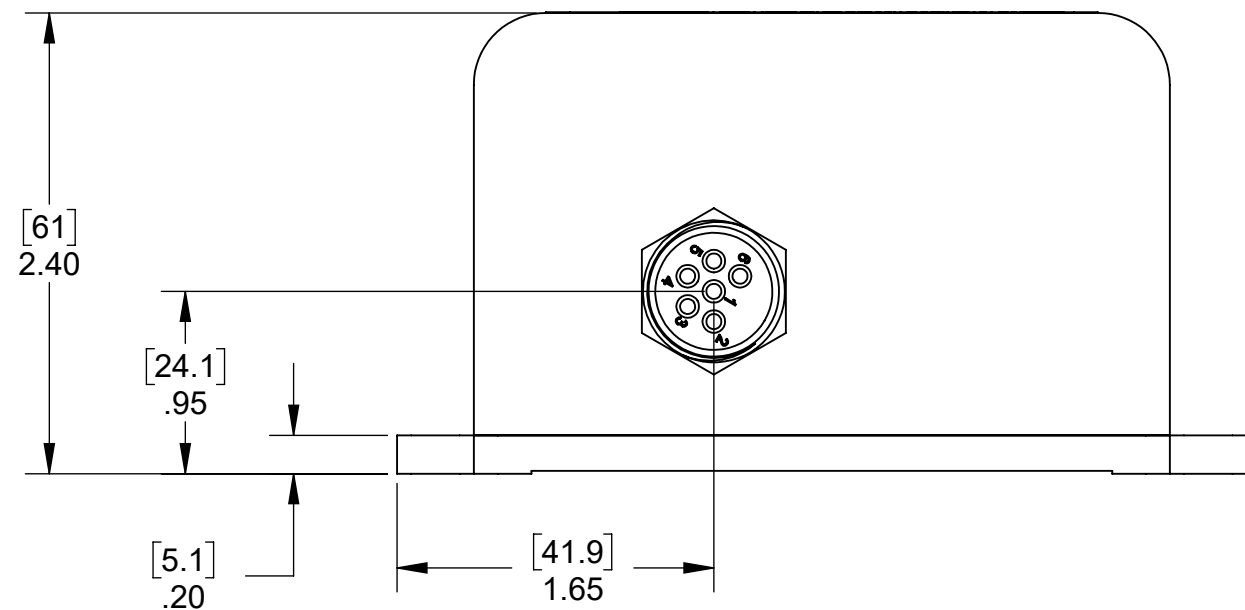
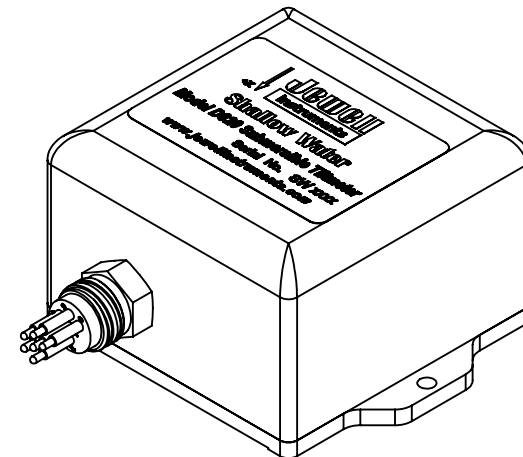
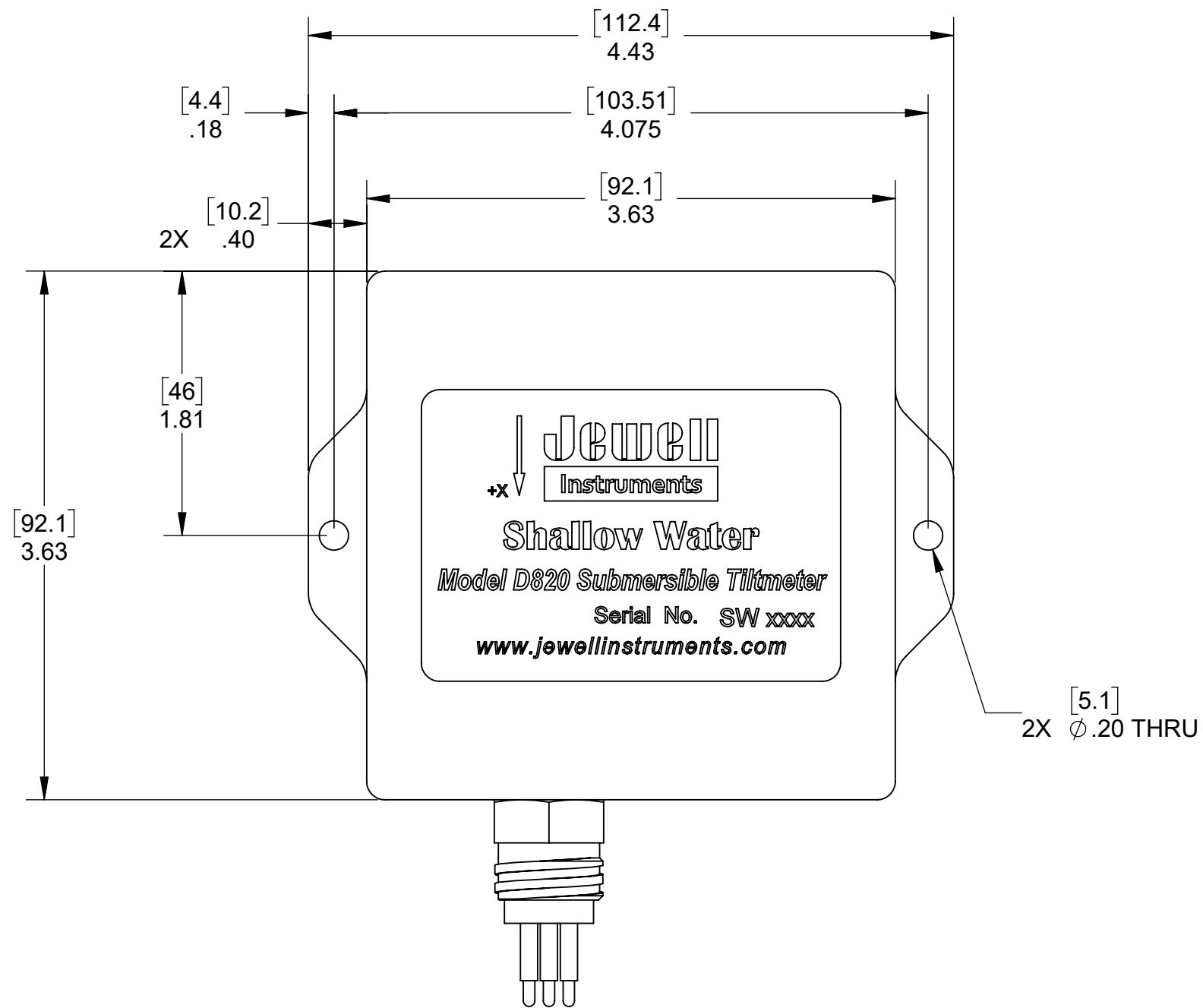


REVISIONS				
REV	DESCRIPTION	DATE	ECO	DRFTSMN
A	RELEASE	10/23/18	28983	TAD
B	REMOVED 00358-01M, REMOVED CABLE COLORS	6/10/2022	30543	JES




CONNECTOR PINOUT	
PIN	ASSIGNMENT
1	X - RETURN
2	Y - RETURN
3	X - POWER
4	Y - POWER
5	TEMPERATURE RETURN
6	TEMPERATURE EXCITATION

MATERIAL	DIMENSIONS UNITS ARE: [mm] INCH	<p><b>Jewell Instruments</b> MANCHESTER, NH TRIPLETT MODUTEC A&amp;M EMICO</p>	TITLE BIAXIAL C820 OUTLINE DRAWING	
FINISH	TOLERANCE UNLESS SPECIFIED TWO PLACE DECIMALS .00 ± .01 THREE PLACE DECIMALS .000 ± .005 ANGLES ± 1°		DRAWING NO. OD98820	REV. B
CHECKED BY SPD	DATE 11/30/18	DRAWN BY TAD	DATE 6/23/2015	SCALE DO NOT SCALE
APPROVED BY MAF	DATE 11/30/18			CAGE CODE 33005
<small>PROPRIETARY NOTICE THIS DRAWING IS THE PROPERTY OF JEWELL INSTRUMENTS, LLC. NEITHER THIS DOCUMENT NOR THE DATA CONTAINED HEREIN SHALL BE DISCLOSED, REPRODUCED IN WHOLE OR IN PART WITHOUT THE WRITTEN AUTHORIZATION OF JEWELL INSTRUMENTS, LLC. NO RIGHT IS GRANTED TO DISCLOSE OR SO USE ANY INFORMATION CONTAINED HEREIN. ALL RIGHTS RESERVED.</small>		SHEET 1 OF 3		



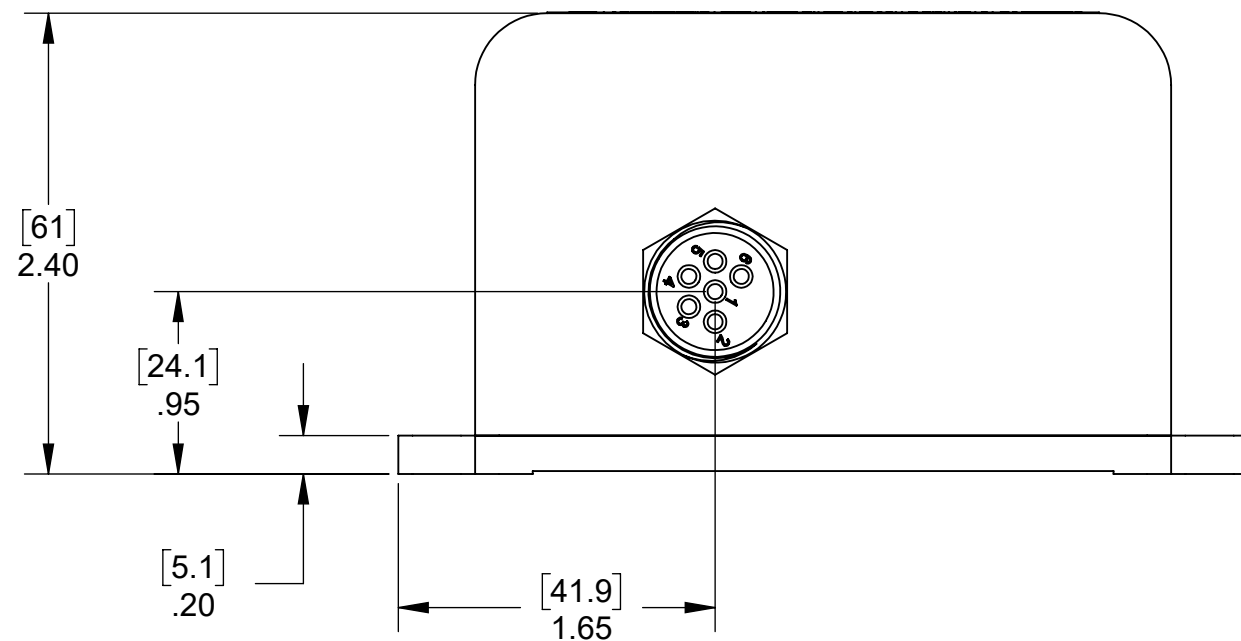
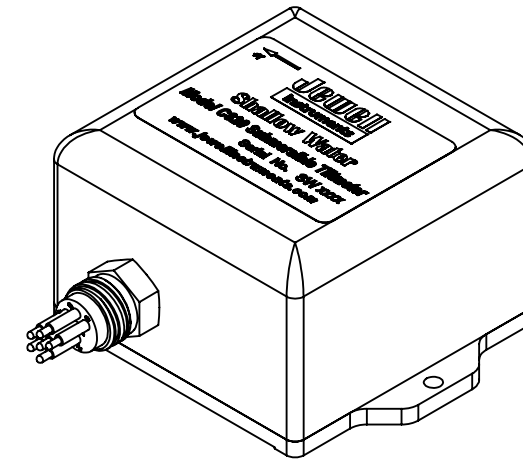
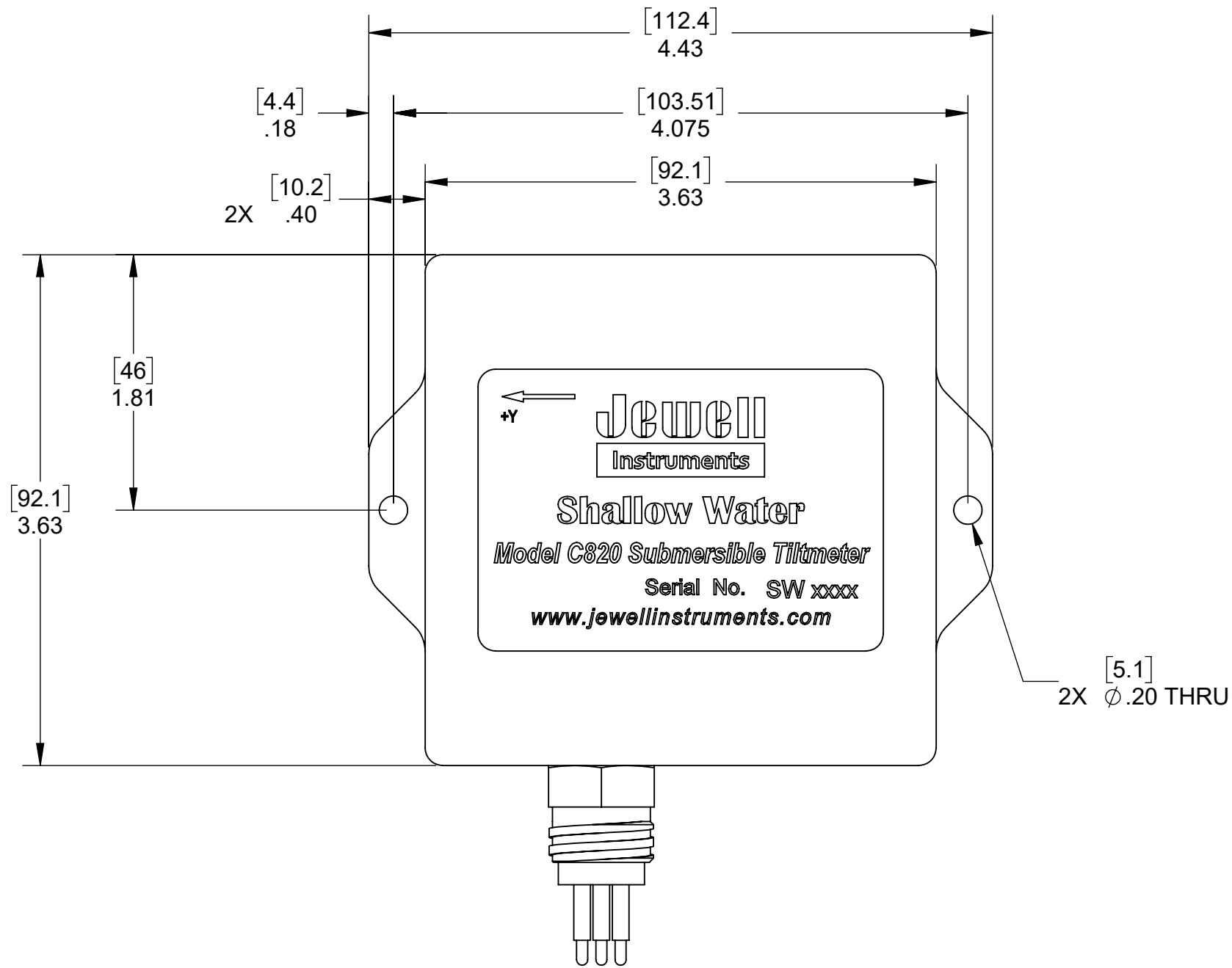
CONNECTOR PINOUT	
PIN	ASSIGNMENT
1	X - RETURN
2	NOT CONNECTED
3	X - POWER
4	NOT CONNECTED
5	TEMPERATURE RETURN
6	TEMPERATURE EXCITATION

MATERIAL	DIMENSIONS UNITS ARE: [mm] INCH
FINISH	TOLERANCE UNLESS SPECIFIED TWO PLACE DECIMALS .00 ± .01 THREE PLACE DECIMALS .000 ± .005 ANGLES ± 1°
CHECKED BY	DATE
APPROVED BY	DATE

  
**Jewell Instruments**  
 MANCHESTER, NH  
 TRIPLETT MODUTEC A&M EMICO


TITLE	
X (TRANSVERSE) C820 OUTLINE DRAWING	
DRAWING NO.	REV.
OD98820	B
SCALE	CAGE CODE
DO NOT SCALE	33005
SHEET 2 OF 3	

PROPRIETARY NOTICE  
THIS DRAWING IS THE PROPERTY OF JEWELL INSTRUMENTS, LLC. NEITHER THIS DOCUMENT NOR THE DATA CONTAINED HEREIN SHALL BE DISCLOSED, REPRODUCED IN WHOLE OR IN PART WITHOUT THE WRITTEN AUTHORIZATION OF JEWELL INSTRUMENTS, LLC. NO RIGHT IS GRANTED TO DISCLOSE OR SO USE ANY INFORMATION CONTAINED HEREIN. ALL RIGHTS RESERVED.



CONNECTOR PINOUT	
PIN	ASSIGNMENT
1	NOT CONNECTED
2	Y - RETURN
3	NOT CONNECTED
4	Y - POWER
5	TEMPERATURE RETURN
6	TEMPERATURE EXCITATION

MATERIAL	DIMENSIONS UNITS ARE: [mm] INCH	
FINISH	TOLERANCE UNLESS SPECIFIED TWO PLACE DECIMALS .00 ± .01 THREE PLACE DECIMALS .000 ± .005 ANGLES ± 1°	
CHECKED BY	DATE	DATE
APPROVED BY	DATE	DATE
	TAD	6/23/2015

  
**Jewell Instruments**  
 MANCHESTER, NH  
 TRIPLETT MODUTEC A&M EMICO

TITLE Y (LONGITUDINAL) C820 OUTLINE DRAWING		REV. B
DRAWING NO. OD98820		
SCALE DO NOT SCALE	CAGE CODE 33005	SHEET 3 OF 3

PROPRIETARY NOTICE  
THIS DRAWING IS THE PROPERTY OF JEWELL INSTRUMENTS, LLC. NEITHER THIS DOCUMENT NOR THE DATA CONTAINED HEREIN SHALL BE DISCLOSED, REPRODUCED IN WHOLE OR IN PART WITHOUT THE WRITTEN AUTHORIZATION OF JEWELL INSTRUMENTS, LLC. NO RIGHT IS GRANTED TO DISCLOSE OR SO USE ANY INFORMATION CONTAINED HEREIN. ALL RIGHTS RESERVED.