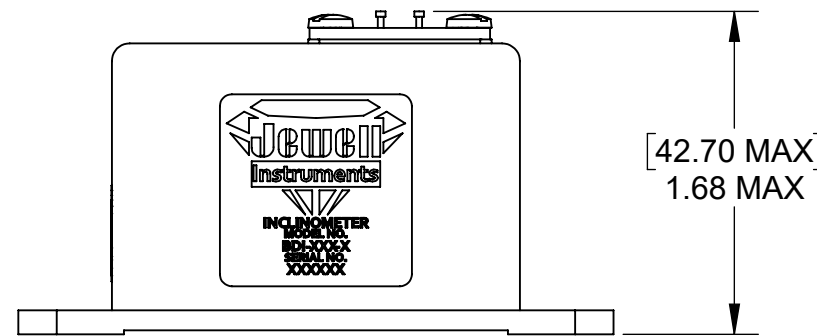
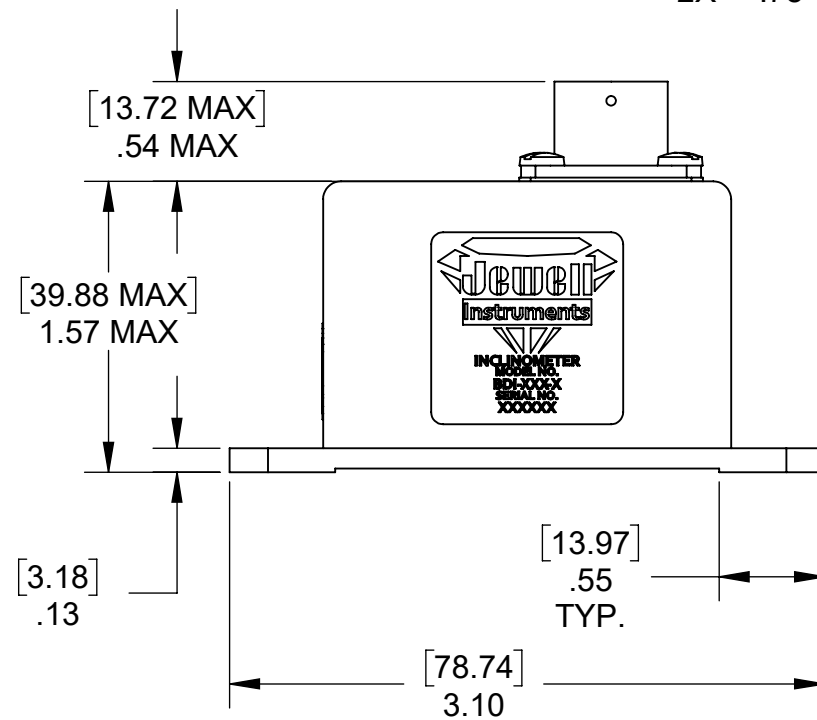
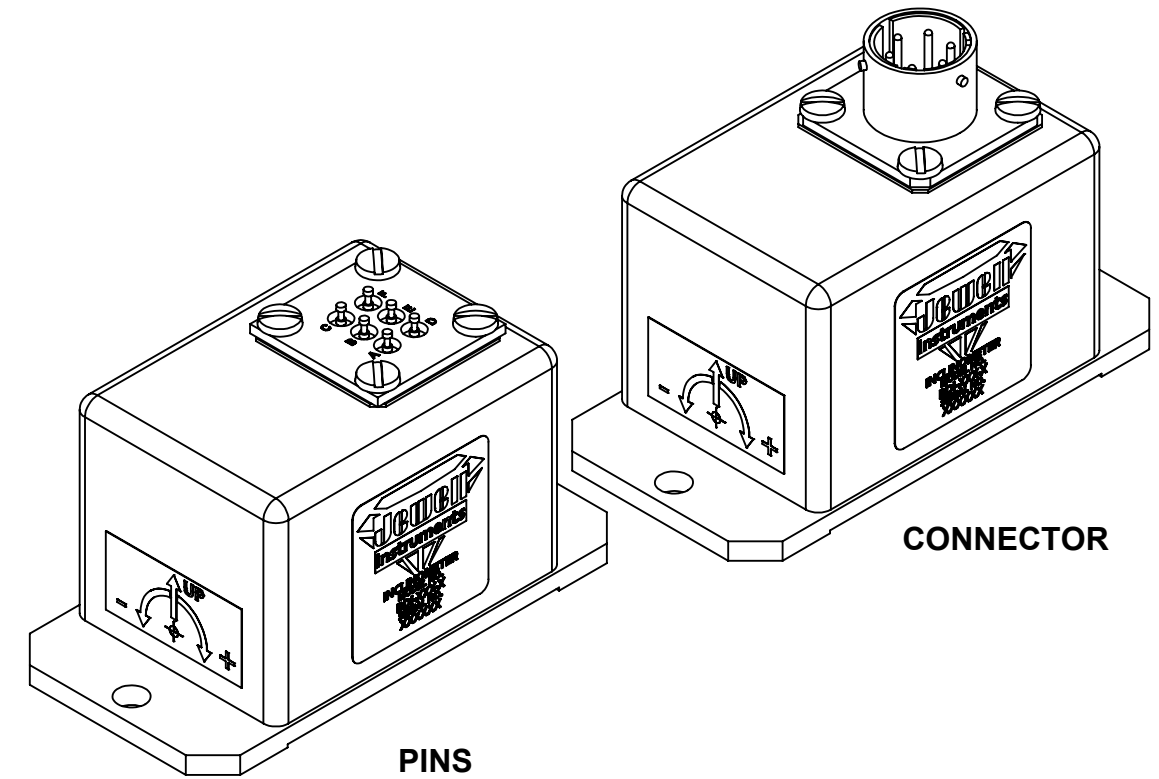
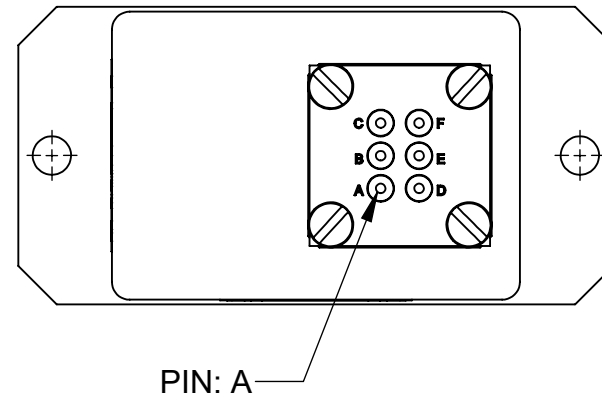
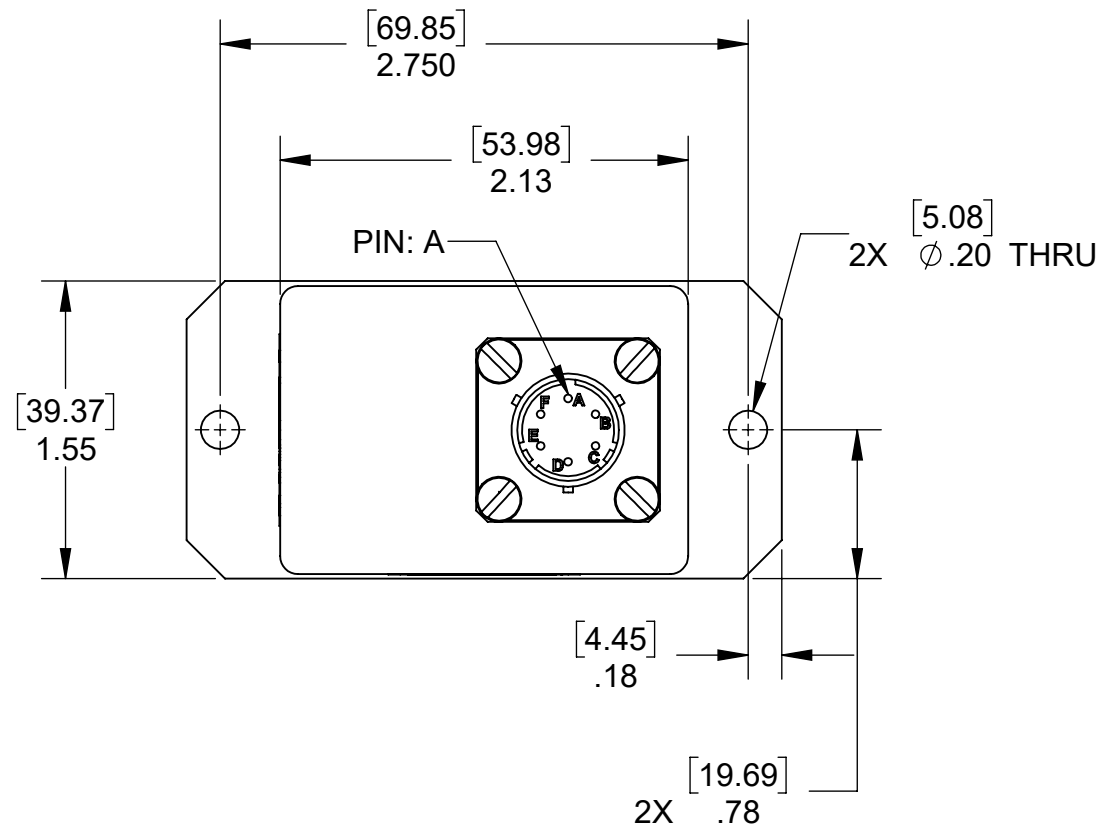


REVISIONS

REV	DESCRIPTION	DATE	ECO	DRFTSMN
A	RELEASED TO PRODUCTION	11/08/2017	28593	R.B.



CONNECTOR PIN OUT	
CONNECTOR	FUNCTION
PIN A	POWER +15 TO +30 VDC
PIN B	POWER/ SIGNAL COMMON
PIN C	N/A
PIN D	OUTPUT SIGNAL (Eo)
PIN E	N/A
PIN F	N/A

- NOTES:
 1. CONNECTOR: PT02H-10-6P
 MATES WITH: PT06A-10-6S (SR)
 2. UNITS: [mm]
 INCH

APPLICATION		DIMENSIONS ARE IN INCHES AND APPLY TO PART BEFORE FINISHING	
USED ON	NEXT ASSY	TOLERANCE UNLESS SPECIFIED	
		TWO PLACE DECIMALS (.00) ± .01	
		THREE PLACE DECIMALS (.000) ± .005	
		ANGLES ± 1°	
		RAW MATL - COMMERCIAL STANDARD	
MATERIAL		DRAWN	DATE
		RP	9-13-16
		CHECKER	DATE
FINISH		APPROVED	DATE



MANCHESTER, NH
 TRIPLETT MODUTEC A&M EMICO

PROPRIETARY NOTICE
 THIS DRAWING IS THE PROPERTY OF JEWELL INSTRUMENTS, LLC. NEITHER THIS DOCUMENT NOR THE DATA CONTAINED HEREIN SHALL BE DISCLOSED, REPRODUCED IN WHOLE OR IN PART WITHOUT THE WRITTEN AUTHORIZATION OF JEWELL INSTRUMENTS, LLC. NO RIGHT IS GRANTED TO DISCLOSE OR SO USE ANY INFORMATION CONTAINED HEREIN. ALL RIGHTS RESERVED.

TITLE	
750-050 SERIES OUTLINE DRAWING	
DRAWING NO.	REV
OD98750-00	A
SCALE	CAGE CODE
1:1	33005
SHEET 1 OF 1	