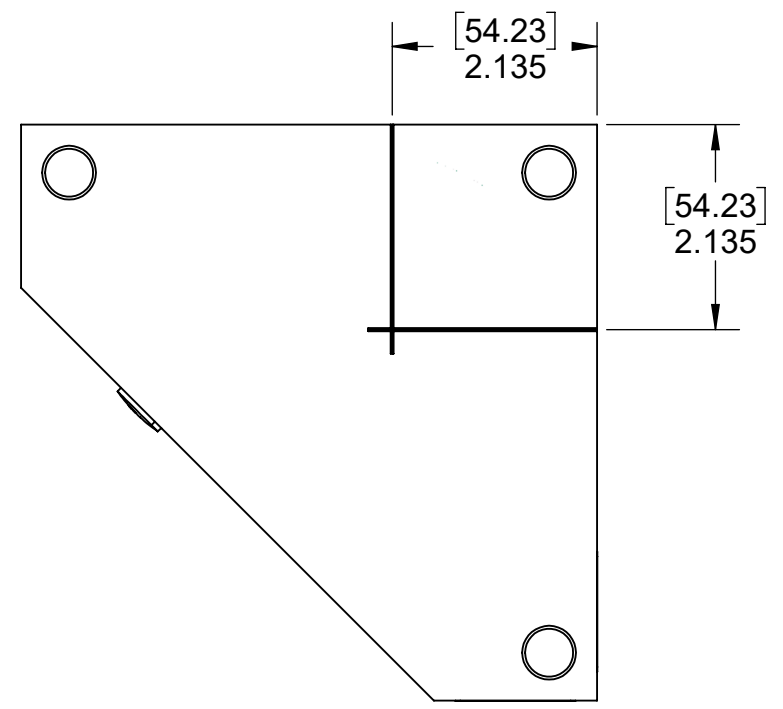
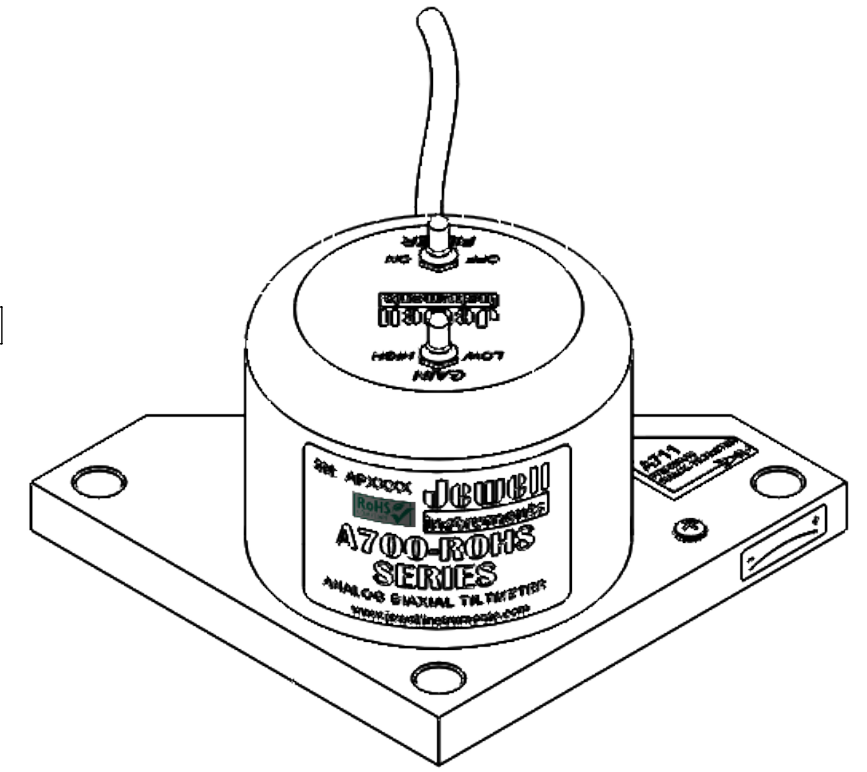
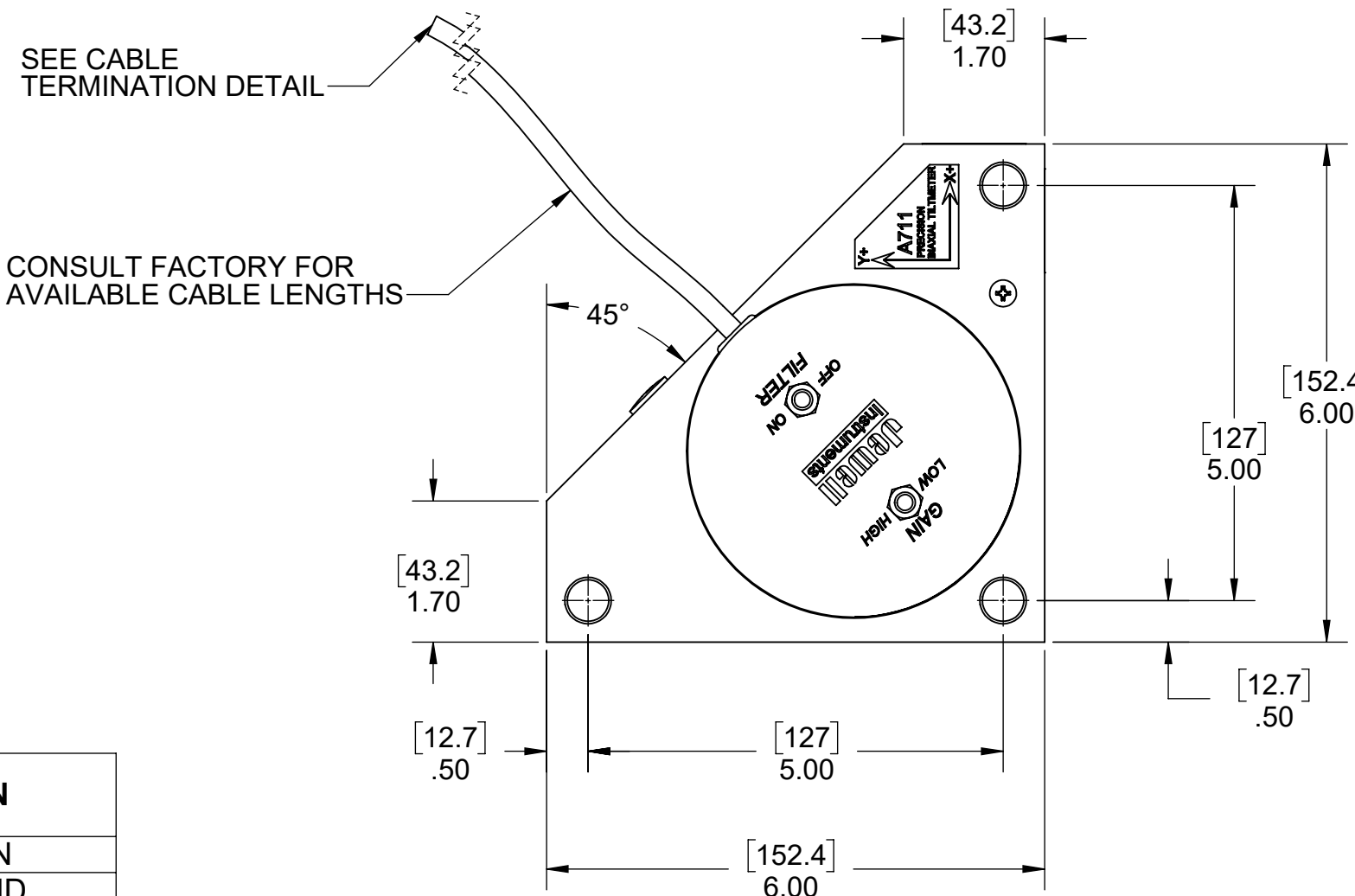
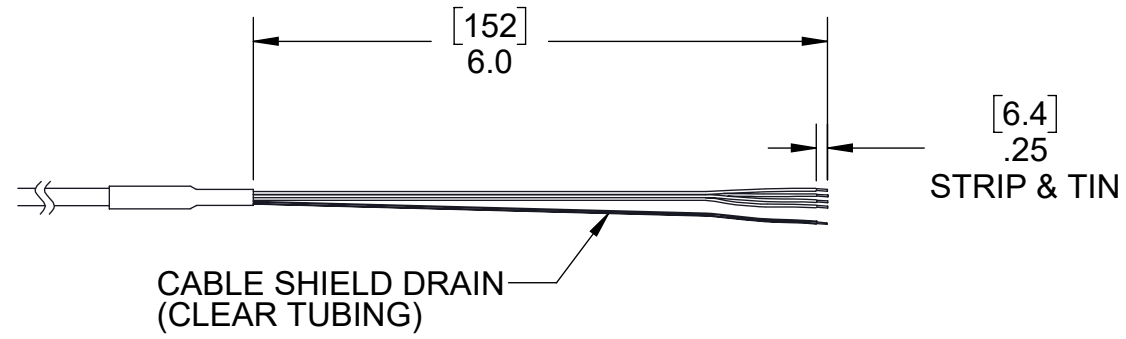
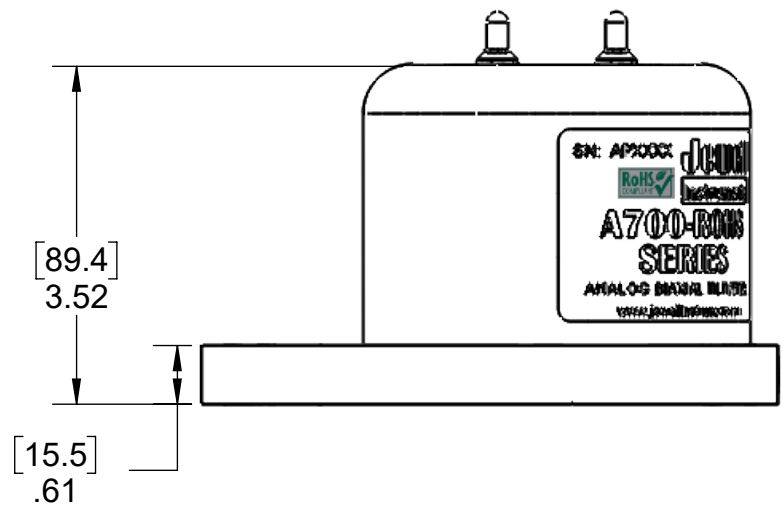


REVISIONS				
REV.	DESCRIPTION	ECO #	DATE	ENGINEER
2	ADDED ROHS DECAL	NA	10/25/19	GN



COLOR	FUNCTION
RED	+12 VDC IN
BLACK	POWER GND
GRAY	-X OUT
VIOLET	-12 VDC IN
YELLOW	TEMPERATURE OUT
BROWN	-Y OUT
BLUE	+Y OUT
GREEN	+X OUT
WHITE	SIGNAL GND
NATURAL (CLEAR TUBING)	CABLE SHIELD DRAIN



**CABLE TERMINATION DETAIL**

MATERIAL	DIMENSIONS UNITS ARE: [mm] INCH		TITLE	
	TOLERANCE UNLESS SPECIFIED TWO PLACE DECIMALS .00 ± .01 THREE PLACE DECIMALS .000 ± .005 ANGLES ± 1°		A711-ROHS OUTLINE DRAWING	
FINISH	DRAWN BY TAD DATE 9/11/2019	MANCHESTER, NH TRIPLETT MODUTEC A&M EMICO		DRAWING NO. OD98711-ROHS
CHECKED BY DATE	APPROVED BY DATE	<small>PROPRIETARY NOTICE</small> THIS DRAWING IS THE PROPERTY OF JEWELL INSTRUMENTS, LLC. NEITHER THIS DOCUMENT NOR THE DATA CONTAINED HEREIN SHALL BE DISCLOSED, REPRODUCED IN WHOLE OR IN PART WITHOUT THE WRITTEN AUTHORIZATION OF JEWELL INSTRUMENTS, LLC. NO RIGHT IS GRANTED TO DISCLOSE OR USE ANY INFORMATION CONTAINED HEREIN. ALL RIGHTS RESERVED.		REV. 2
		SCALE 1:2	CAGE CODE 33005	SHEET 1 OF 1