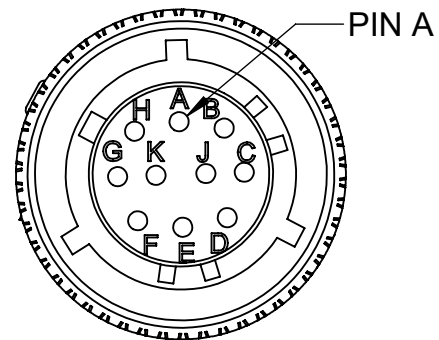
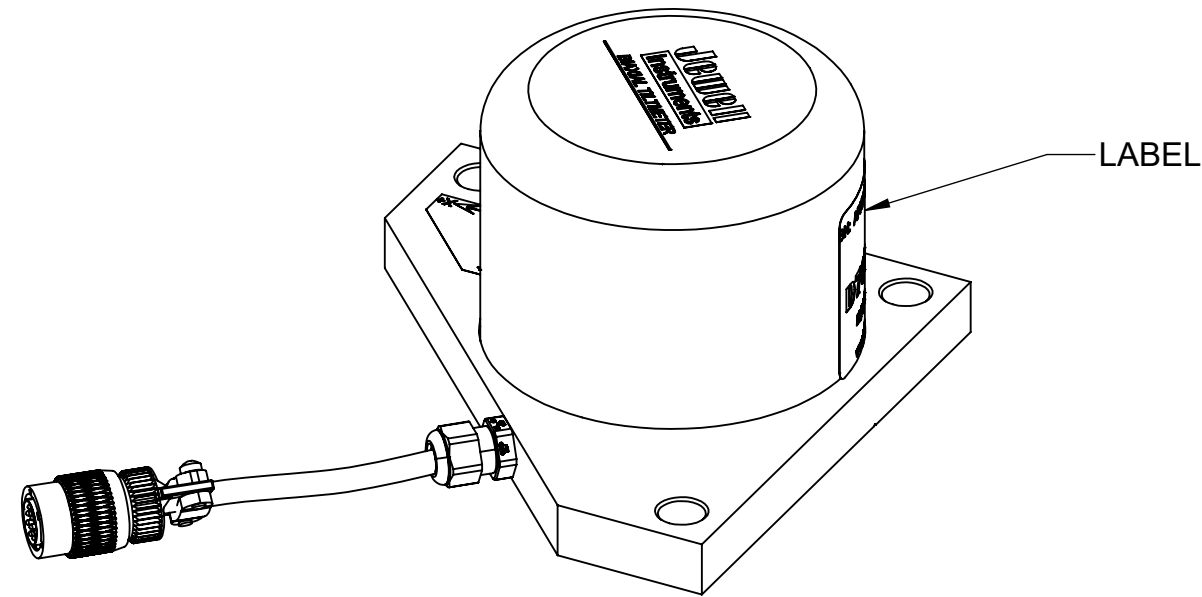
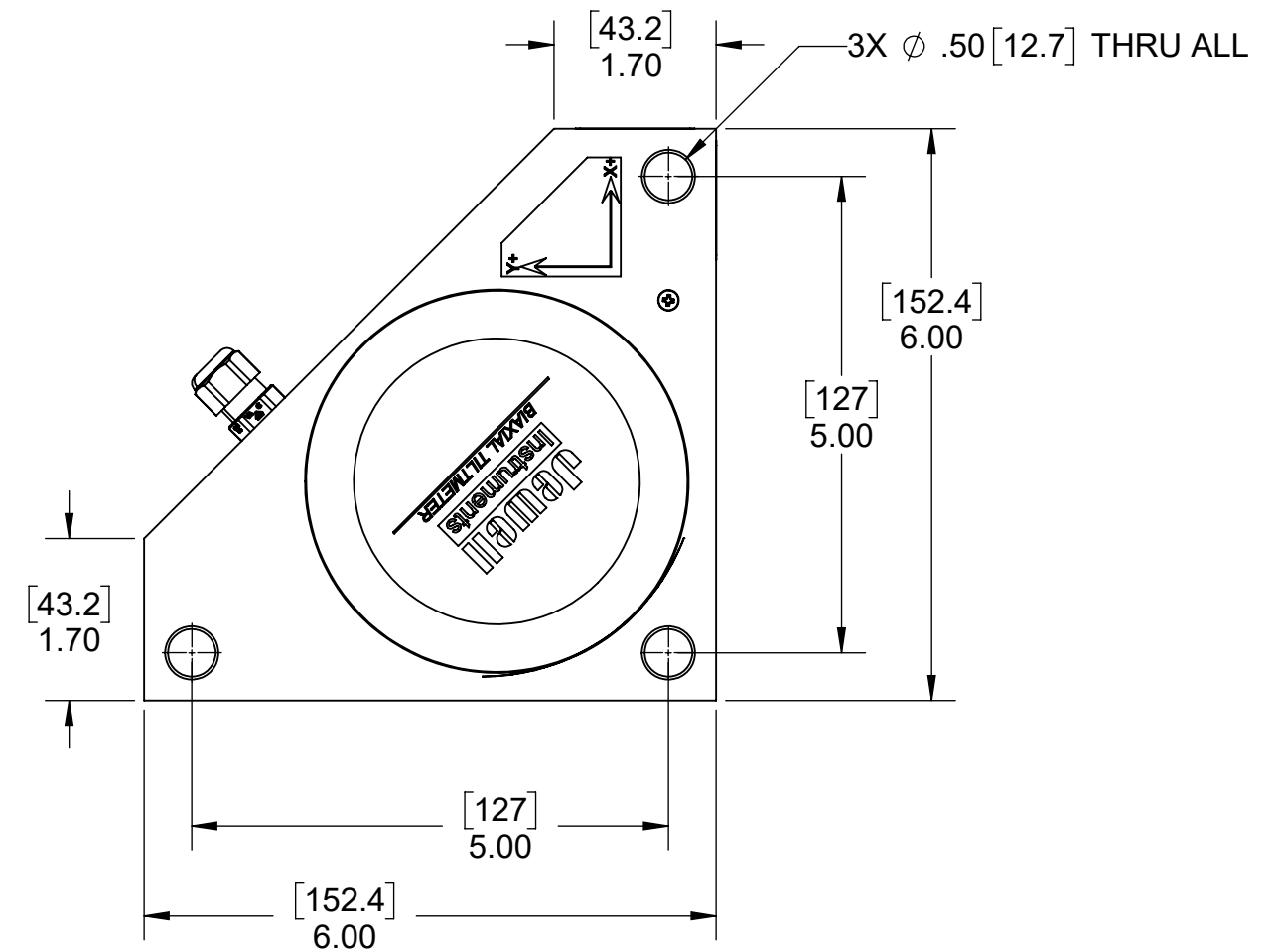
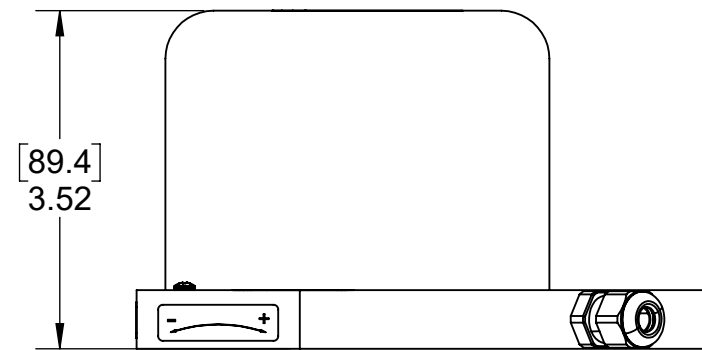


REVISIONS				
REV.	DESCRIPTION	ECO #	DATE	ENGINEER
A	RELEASE TO PRODUCTION	29649	1/9/2020	GN
B	ADDED WIRE COLOR AND MATING CABLE END TO TABLE	29664	1/16/2020	GN



FACE VIEW OF CONNECTOR  
SCALE 2:1



TILTMETER END			MATING CABLE	
CONNECTOR PIN	FUNCTION	COLOR	DB9 PIN (RS422)	DB9 PIN (RS232)
A	GROUND	BLACK	1	5
B	RX+ (RS485)	BROWN	8	-
C	RX- (RS485)	YELLOW	9	-
D	TX+ (RS485)	ORANGE	4	-
E	TX (RS232)	BLUE	-	2
F	CABLE SHIELD	DRAIN WIRE	-	-
G	RX (RS232)	GREEN	-	3
H	POWER	RED	-	-
J	TX- (RS485)	GRAY	5	-
K	N/C	N/C	N/C	N/C

MATERIAL	DIMENSIONS UNITS ARE: [mm] INCH	
FINISH	TOLERANCE UNLESS SPECIFIED	
	TWO PLACE DECIMALS	.00 ± .01
	THREE PLACE DECIMALS	.000 ± .005
	ANGLES	± 1°
CHECKED BY	DATE	DRAWN BY
RNB	1/13/2020	GN
APPROVED BY	DATE	DATE
TAD	1/13/2020	1/8/2020

**Jewell Instruments**  
MANCHESTER, NH  
TRIPLETT MODUTEC A&M EMICO

PROPRIETARY NOTICE  
THIS DRAWING IS THE PROPERTY OF JEWELL INSTRUMENTS, LLC. NEITHER THIS DOCUMENT NOR THE DATA CONTAINED HEREIN SHALL BE DISCLOSED, REPRODUCED IN WHOLE OR IN PART WITHOUT THE WRITTEN AUTHORIZATION OF JEWELL INSTRUMENTS, LLC. NO RIGHT IS GRANTED TO DISCLOSE OR SO USE ANY INFORMATION CONTAINED HEREIN. ALL RIGHTS RESERVED.

TITLE		
D711 DIGITAL OUTLINE DRAWING		
DRAWING NO.		REV.
OD98005-00		B
SCALE	CAGE CODE	SHEET 1 OF 1
1:2	33005	