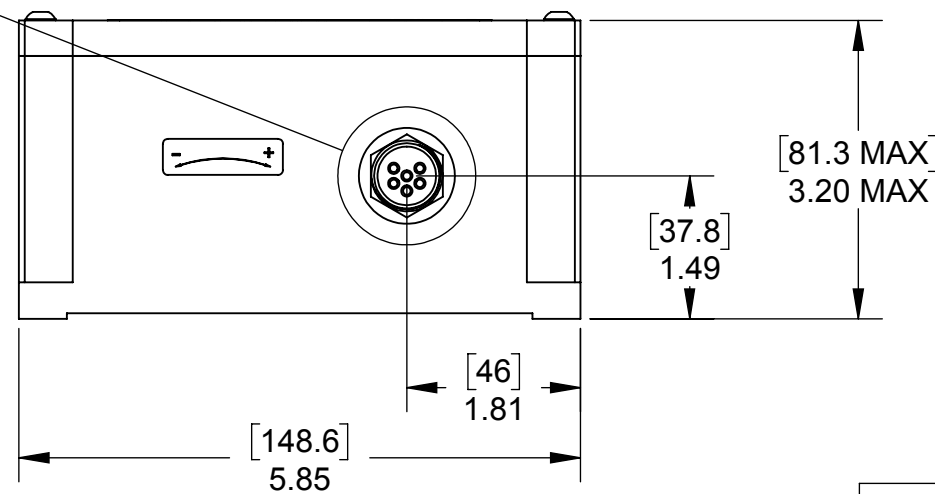
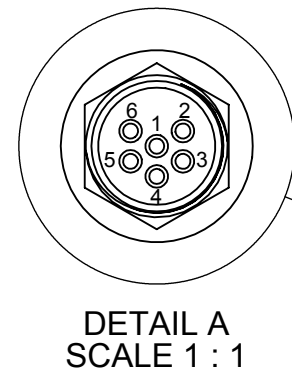
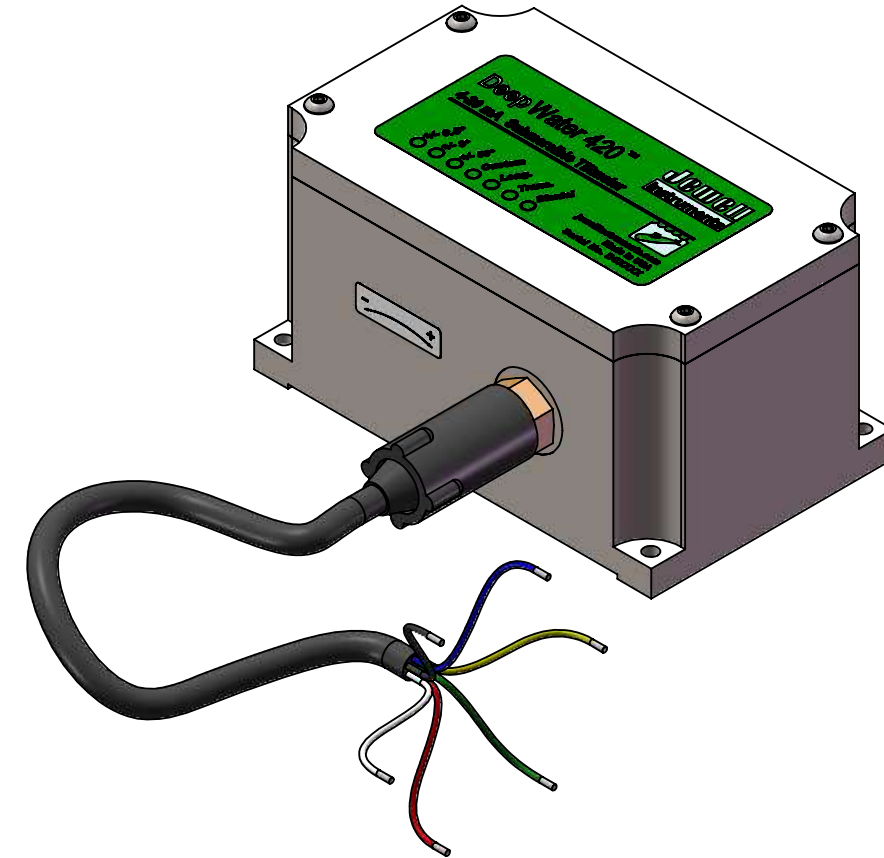
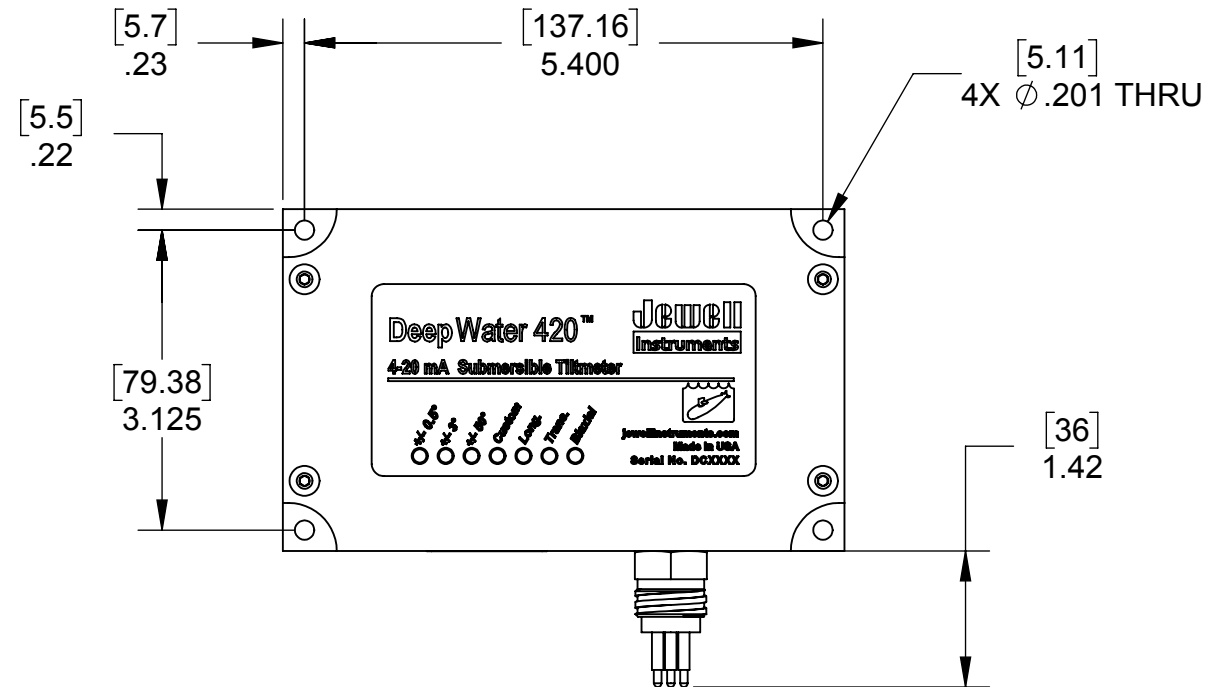


REVISIONS

REV	DESCRIPTION	DATE	ECO	DRFTSMN
1	RELEASE TO ENGINEERING	9/26/2016		TAD



CONNECTOR/CABLE PIN OUT

CONNECTOR PIN	WIRE COLOR	FUNCTION
1	BLACK	GROUND
2	WHITE	TEMPERATURE RETURN
3	RED	V _{SUPPLY} (LOOP POWER)
4	GREEN	NOT USED
5	YELLOW (ORANGE)	TEMPERATURE OUT
6	BLUE	TEMPERATURE EXCITATION

NOTES:

- UNITS: [mm]
in

APPLICATION		DIMENSIONS ARE IN INCHES AND APPLY TO PART BEFORE FINISHING
USED ON	NEXT ASSY	TOLERANCE UNLESS SPECIFIED
		TWO PLACE DECIMALS (.00) ± .01
		THREE PLACE DECIMALS (.000) ± .005
		ANGLES ± 1°
		RAW MATL - COMMERCIAL STANDARD
DRAWN	TAD	DATE 9/26/2016
CHECKER		DATE
APPROVED		DATE



MANCHESTER, NH
TRIPLETT MODUTEC A&M EMICO

PROPRIETARY NOTICE
THIS DRAWING IS THE PROPERTY OF JEWELL INSTRUMENTS, LLC. NEITHER THIS DOCUMENT NOR THE DATA CONTAINED HEREIN SHALL BE DISCLOSED, REPRODUCED IN WHOLE OR IN PART WITHOUT THE WRITTEN AUTHORIZATION OF JEWELL INSTRUMENTS, LLC. NO RIGHT IS GRANTED TO DISCLOSE OR SO USE ANY INFORMATION CONTAINED HEREIN. ALL RIGHTS RESERVED.

TITLE	
C802, DEEPWATER, 4-20mA	
DRAWING NO.	REV
OD90843	1
SCALE 1:2	CAGE CODE 33005
SHEET 1 OF 1	