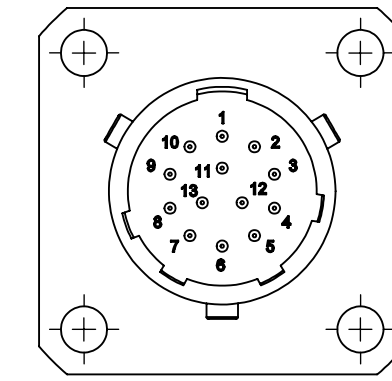
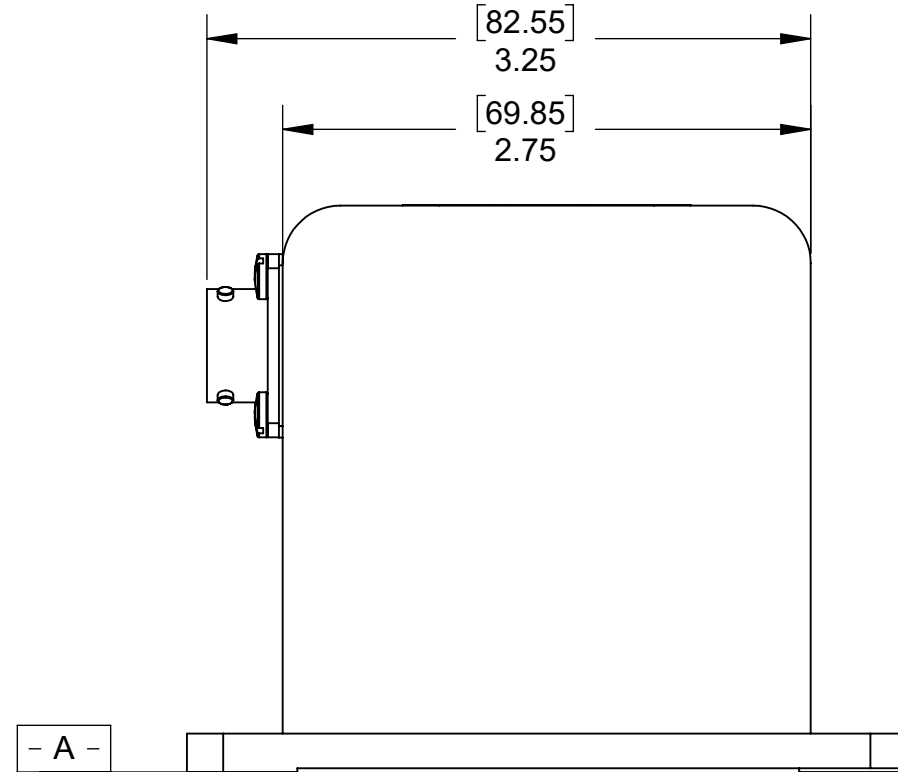
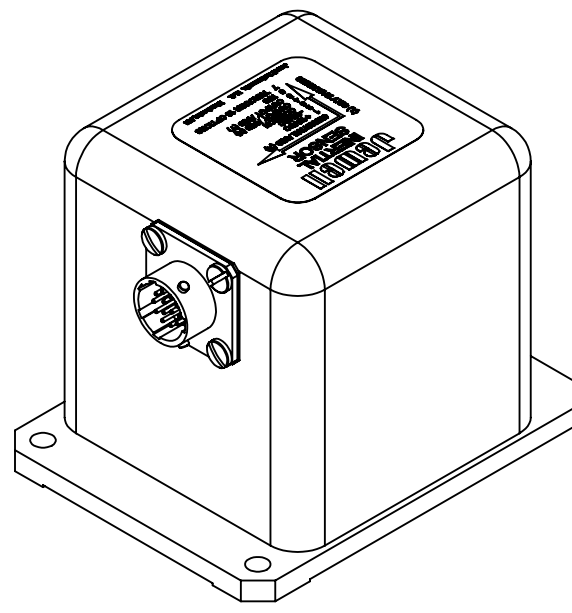
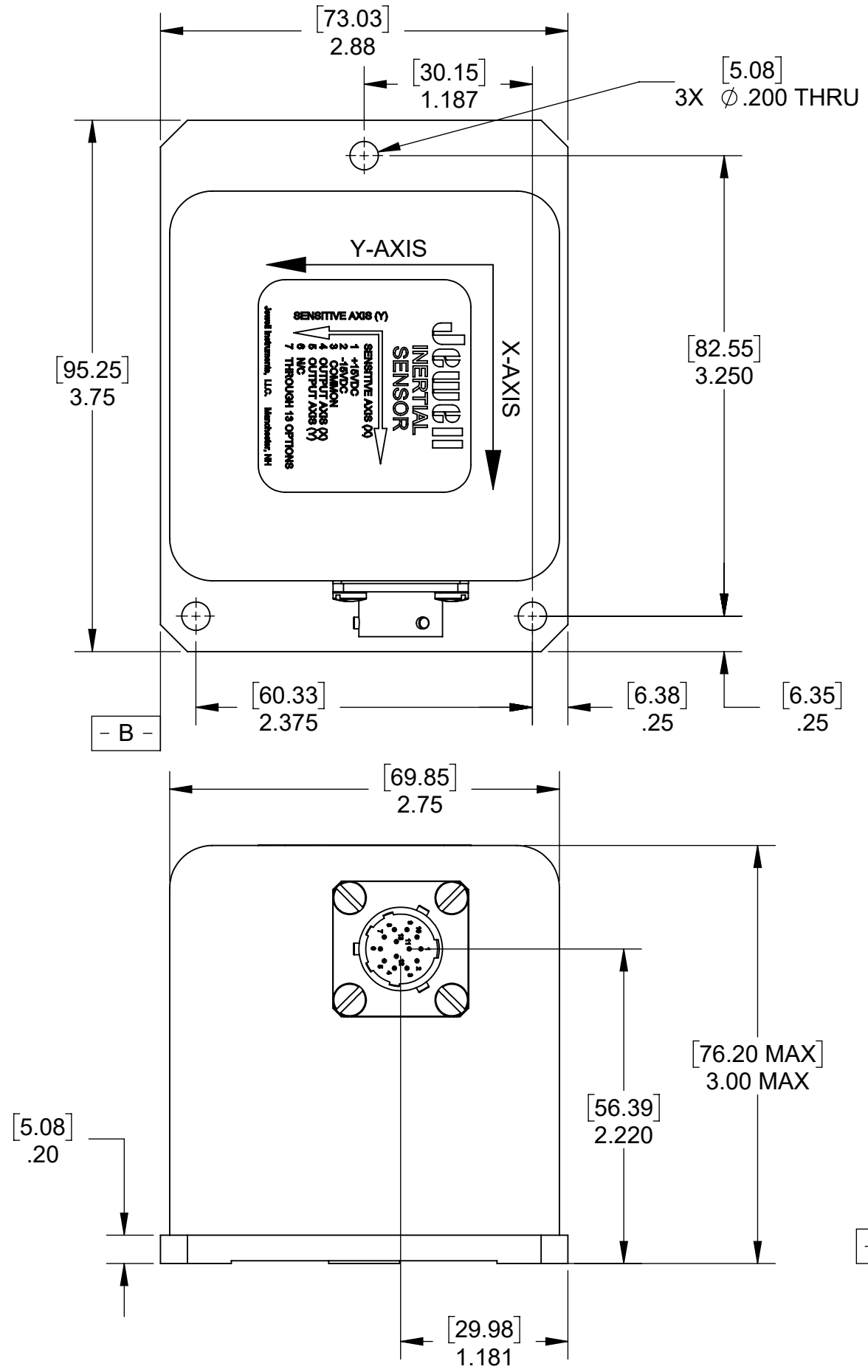


**REVISIONS**

REV	DESCRIPTION	DATE	ECO	DRFTSMN
A	RELEASE TO PRODUCTION	6-18-13	25508	TAD
B	CHANGE LABEL	11/29/2017	28618	RP
C	ROTATE CONNECTOR ON MODEL	12/5/2017	28629	RP



CONNECTOR: MS27476Y10D35P  
MATES WITH: MS27473T10B35S

PIN	FUNCTION
1	+15VDC
2	-15VDC
3	PWR & OUTPUT COMMON
4	OUTPUT X-AXIS
5	OUTPUT Y-AXIS
6	N/C
7	N/C
8	N/C
9	N/C
10	N/C
11	N/C
12	N/C
13	N/C

**NOTES:**

- UNITS:  $\frac{[mm]}{in}$
- DATUMS **-A-** & **-B-** ARE DEFINED AS REFERENCE SURFACES.

APPLICATION		DIMENSIONS ARE IN INCHES AND APPLY TO PART BEFORE FINISHING	
USED ON	NEXT ASSY	TOLERANCE UNLESS SPECIFIED	
		TWO PLACE DECIMALS (.00) ± .01	
		THREE PLACE DECIMALS (.000) ± .005	
		ANGLES ± 1°	
		RAW MATL - COMMERCIAL STANDARD	
DRAWN	TAD	DATE	6/18/2013
CHECKER	DAP	DATE	6-18-13
APPROVED	NCD	DATE	6-18-13

**Jewell Instruments**  
MANCHESTER, NH  
TRIPLETT MODUTEC A&M EMICO

PROPRIETARY NOTICE  
THIS DRAWING IS THE PROPERTY OF JEWELL INSTRUMENTS, LLC. NEITHER THIS DOCUMENT NOR THE DATA CONTAINED HEREIN SHALL BE DISCLOSED, REPRODUCED IN WHOLE OR IN PART WITHOUT THE WRITTEN AUTHORIZATION OF JEWELL INSTRUMENTS, LLC. NO RIGHT IS GRANTED TO DISCLOSE OR SO USE ANY INFORMATION CONTAINED HEREIN. ALL RIGHTS RESERVED.

TITLE <b>LCF-2000 OUTLINE DRAWING</b>	
DRAWING NO. <b>OD468200-000</b>	<b>C</b>
SCALE <b>1:1</b>	CAGE CODE 33005
SHEET 1 OF 1	