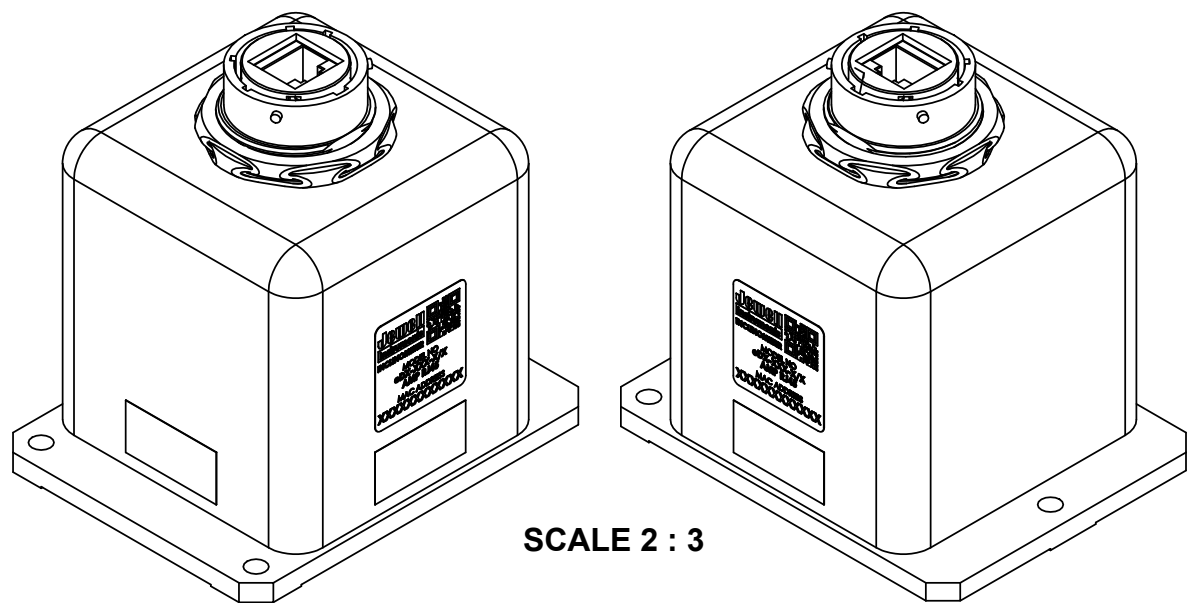
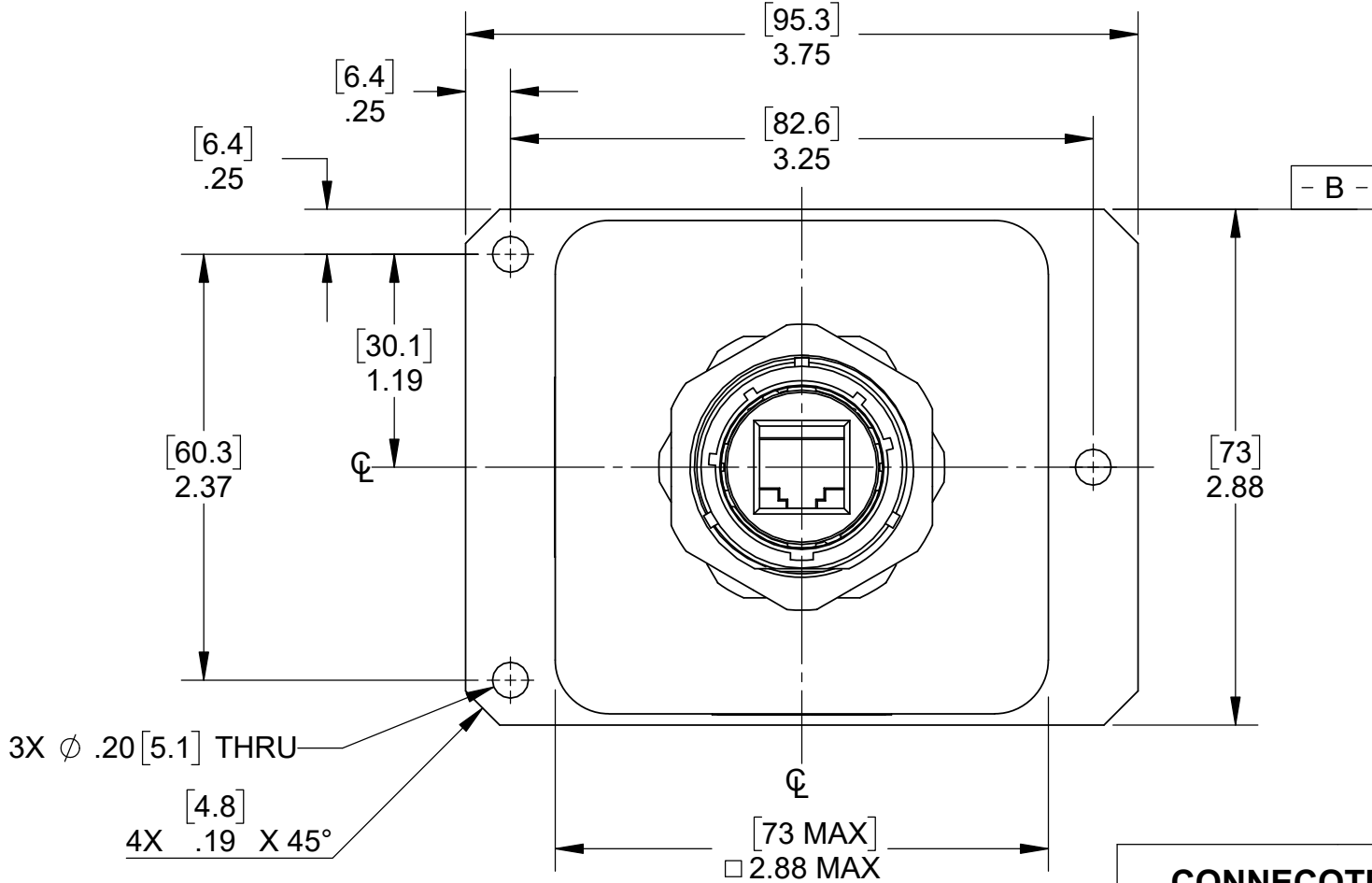
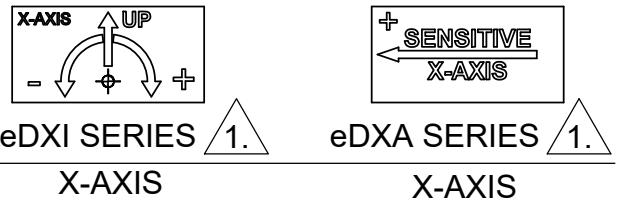
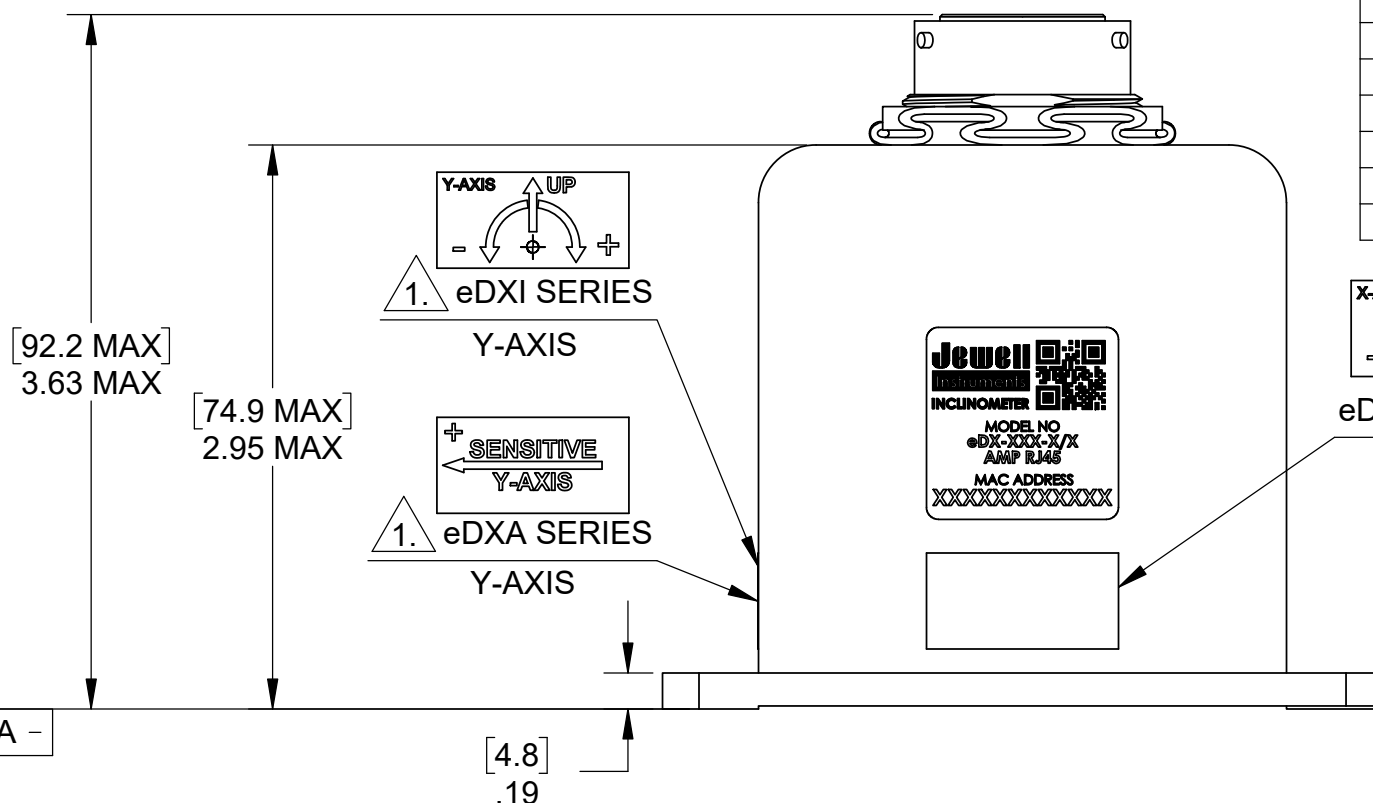


REVISIONS				
REV	DESCRIPTION	DATE	ECO	DRFTSMN
G	REMOVED 0.50 DIM, COVER IS CENTERED ON PART	4/20/2026	31966	GR



CONNECTOR PIN OUT	
PIN	FUNCTION
1	TX+
2	TX-
3	RX+
4	DC+
5	DC+
6	RX-
7	DC-
8	DC-

- NOTES:
1. SENSITIVE AXIS LABEL VARIES BY MODEL. "-100" SERIES UNITS ARE SINGLE AXIS UNITS AND WILL NOT HAVE THE Y-AXIS.
 2. DATUM - A - AND - B - ARE DEFINED AS REFERENCE SURFACES.
 3. UNITS [mm]
INCH
 4. MATING CONNECTOR:
VENDOR: AMPHENOL
PART NO: RJF6B
 5. COMPATIBLE WITH 802.3AF MODE B POWER OVER ETHERNET



APPLICATION		DIMENSIONS ARE IN INCHES AND APPLY TO PART BEFORE FINISHING	
USED ON	NEXT ASSY	TOLERANCE UNLESS SPECIFIED	
		TWO PLACE DECIMALS (.00) ± .01	
		THREE PLACE DECIMALS (.000) ± .005	
		ANGLES ± 1°	
		RAW MATL - COMMERCIAL STANDARD	
MATERIAL		DRAWN RB	DATE 03/07/2017
		CHECKER TD	DATE 03/23/2017
FINISH		APPROVED NCD	DATE 03/27/2017

Jewell Instruments
MANCHESTER, NH
MODUTEC A&M EMICO

PROPRIETARY NOTICE
THIS DRAWING IS THE PROPERTY OF JEWELL INSTRUMENTS, LLC. NEITHER THIS DOCUMENT NOR THE DATA CONTAINED HEREIN SHALL BE DISCLOSED, REPRODUCED IN WHOLE OR IN PART WITHOUT THE WRITTEN AUTHORIZATION OF JEWELL INSTRUMENTS, LLC. NO RIGHT IS GRANTED TO DISCLOSE OR SO USE ANY INFORMATION CONTAINED HEREIN. ALL RIGHTS RESERVED.

TITLE		DRAWING NO.		REV
eDX SERIES OUTLINE DRAWING		OD02550380-000		G
SCALE 1:1	CAGE CODE 33005	SHEET 1 OF 1		