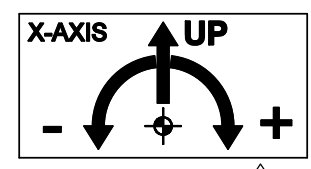
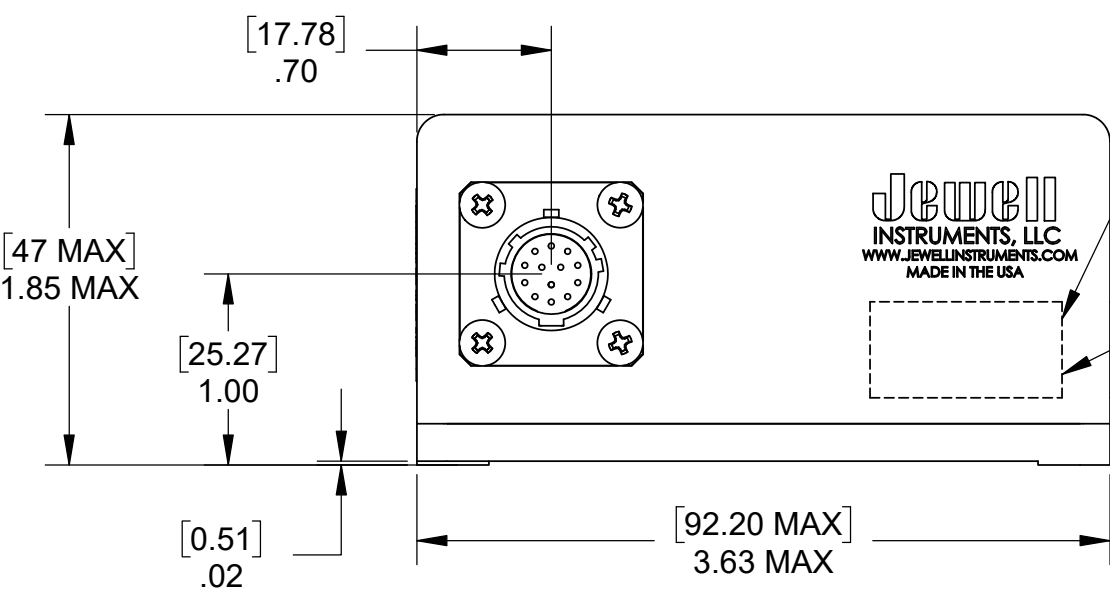
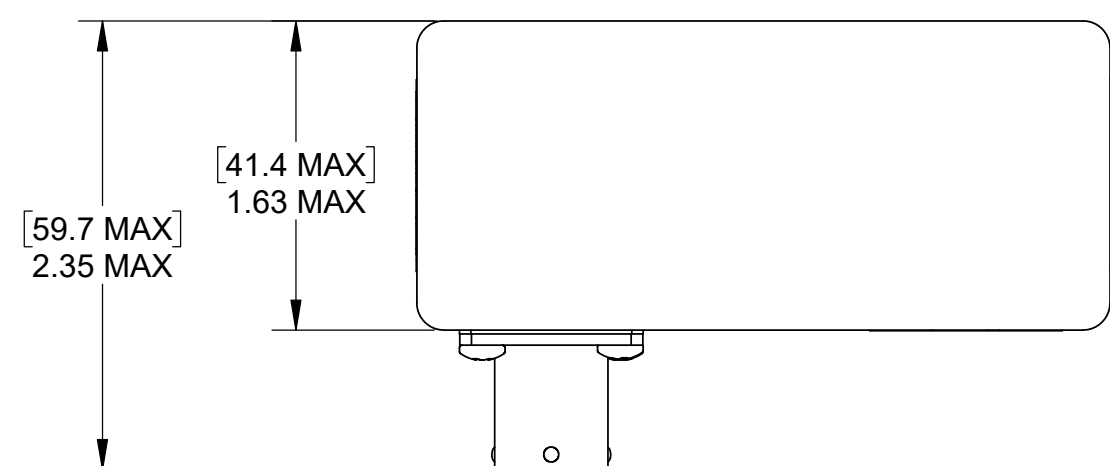


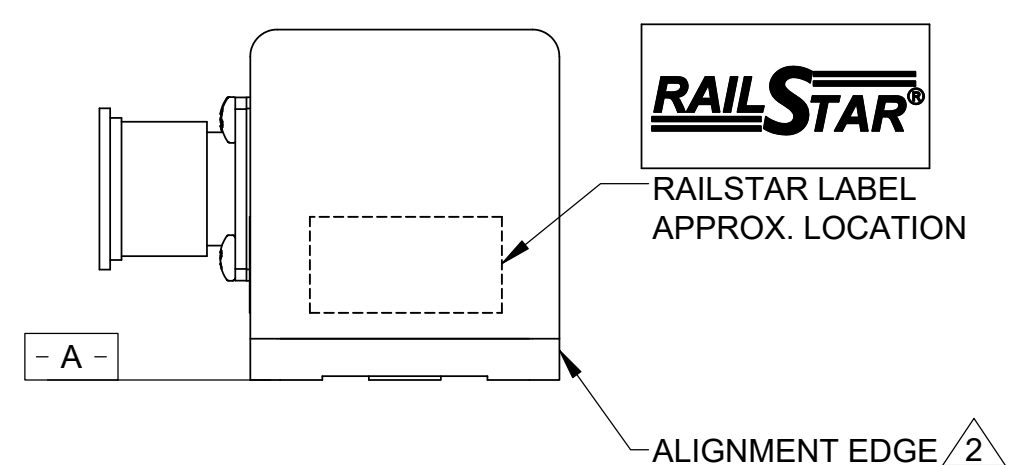
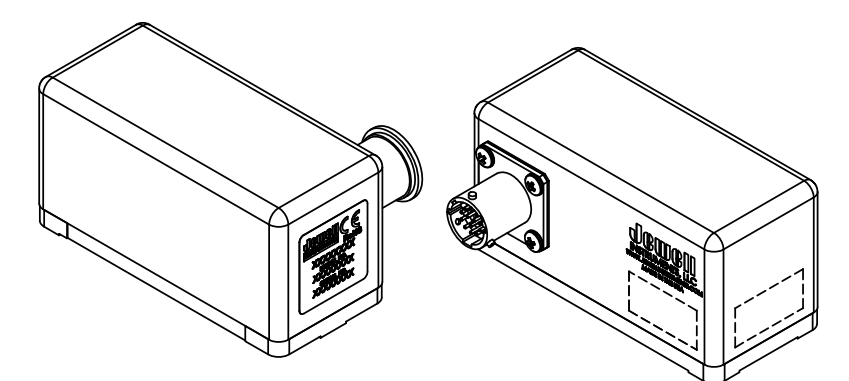
REVISIONS					
ZONE	REV.	DESCRIPTION	ECO #	DATE	DRFTSMN
	A	RELEASE TO PRODUCTION	27212	6/22/2015	R.B.
	B	ADDED MISSING PINOUT TABLE	27330	6/26/2015	R.B.
	C	ADDED RAILSTAR LABEL	31165	1/16/2024	G.R.



DXI SERIES X-AXIS $\triangle 5$

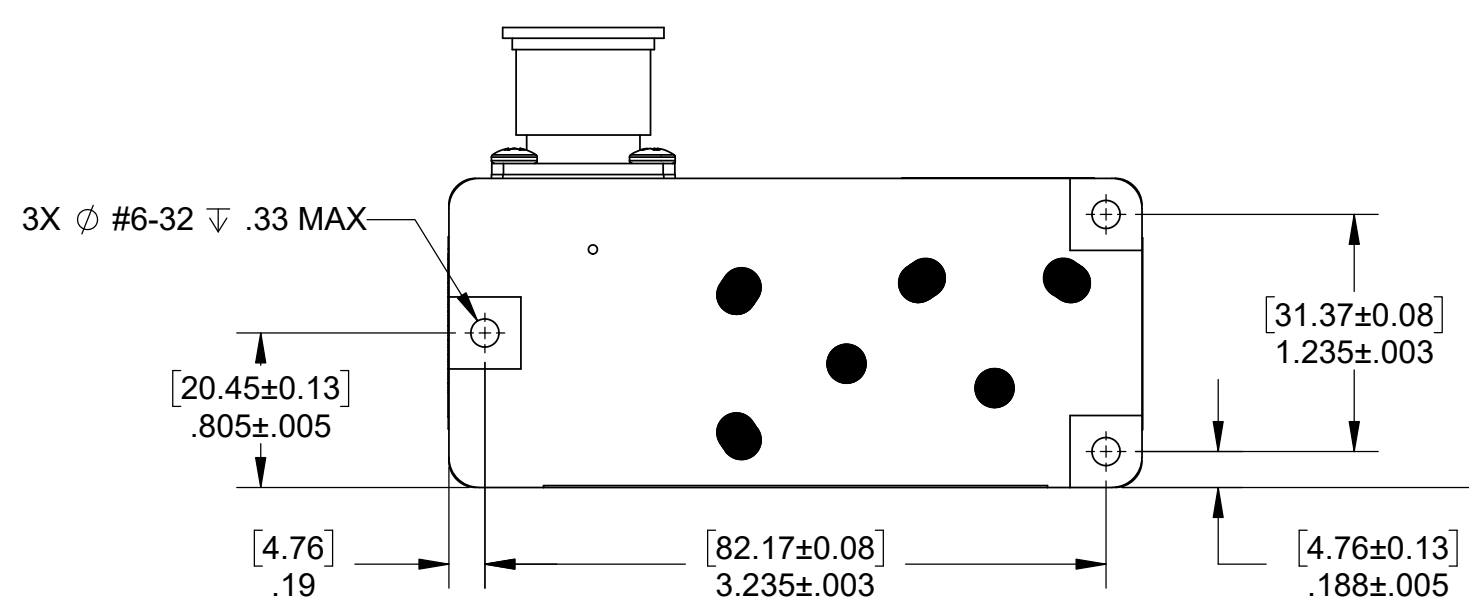


DXA SERIES X-AXIS $\triangle 5$



NOTES:

1. UNITS: [mm] in
2. ALIGNMENT EDGE SHOULD BE NO HIGHER THAN .19 [4.8] TO AVOID INTERFERENCE WITH COVER.
3. -A- & -B- ARE DEFINED AS REFERENCE SURFACES.
4. CONNECTOR: API 1255-090-2011
MATES WITH: MS27473T10B35S
5. SENSITIVE AXIS LABEL VARIES BY MODEL.



CONN. PIN	FUNCTION
1	FACTORY USE
2	FACTORY USE
3	CASE GROUND
4	+SERIAL PORT
5	-SERIAL PORT
6	FACTORY USE
7	FACTORY USE
8	FACTORY USE
9	FACTORY USE
10	FACTORY USE
11	PWR RTN
12	+PWR
13	FACTORY USE

APPLICATION		DIMENSIONS ARE IN INCHES AND APPLY TO PART BEFORE FINISHING	
USED ON	NEXT ASSY	TOLERANCE UNLESS SPECIFIED	
		TWO PLACE DECIMALS (.00) \pm .01	
		THREE PLACE DECIMALS (.000) \pm .005	
		ANGLES \pm 1°	
		RAW MATL - COMMERCIAL STANDARD	
DRAWN	DATE	CHECKER	DATE
R.B.	2/25/2013	T.D.	6/23/20215
CHECKER	DATE	APPROVED	DATE
T.D.	6/23/20215	N.C.D.	6/30/2015
FINISH			

Jewell Instruments
MANCHESTER, NH
TRIPLETT MODUTEC A&M EMICO

PROPRIETARY NOTICE
THIS DRAWING IS THE PROPERTY OF JEWELL INSTRUMENTS, LLC. NEITHER THIS DOCUMENT NOR THE DATA CONTAINED HEREIN SHALL BE DISCLOSED, REPRODUCED IN WHOLE OR IN PART WITHOUT THE WRITTEN AUTHORIZATION OF JEWELL INSTRUMENTS, LLC. NO RIGHT IS GRANTED TO DISCLOSE OR SO USE ANY INFORMATION CONTAINED HEREIN. ALL RIGHTS RESERVED.

TITLE DX - 100 CENELEC OUTLINE DRAWING		
DRAWING NO. OD02550340-000	REV C	
SCALE 1:1	CAGE CODE 33005	SHEET 1 OF 1