

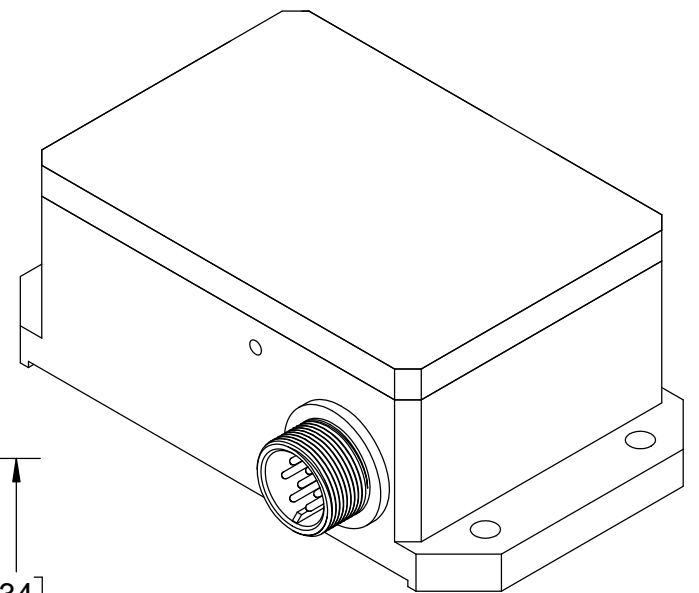
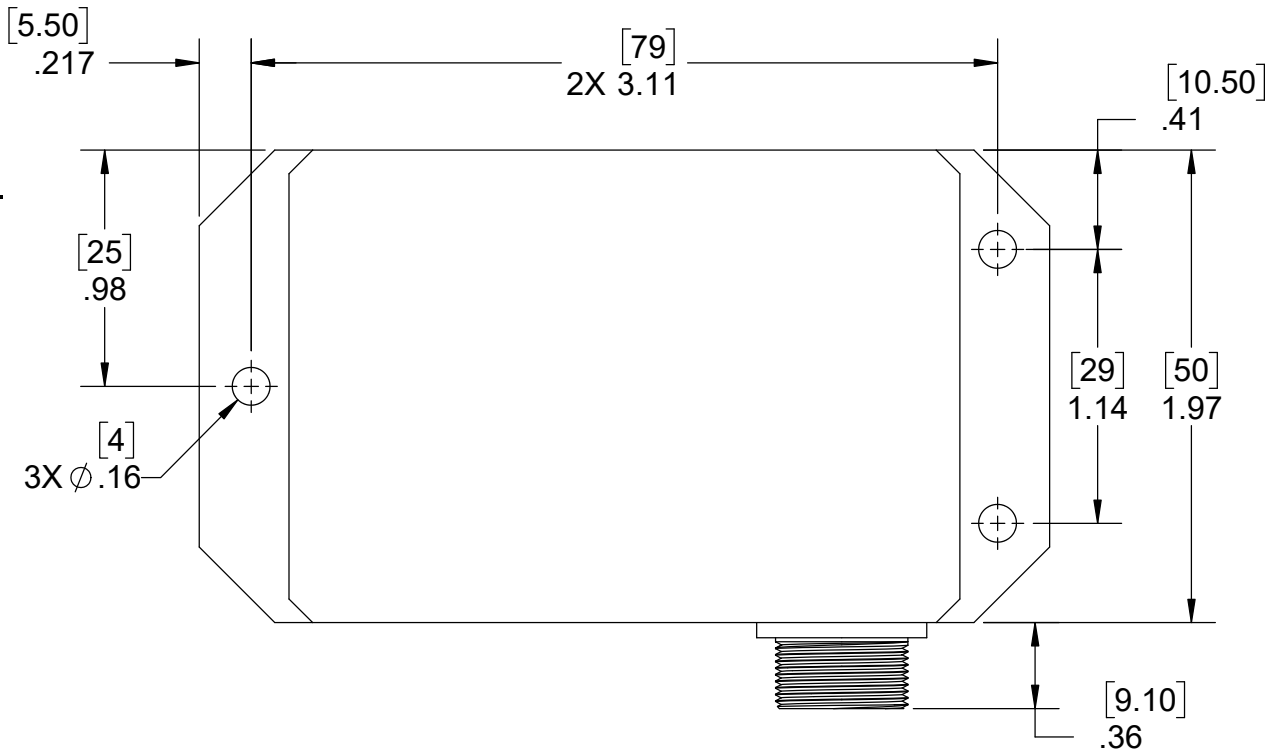
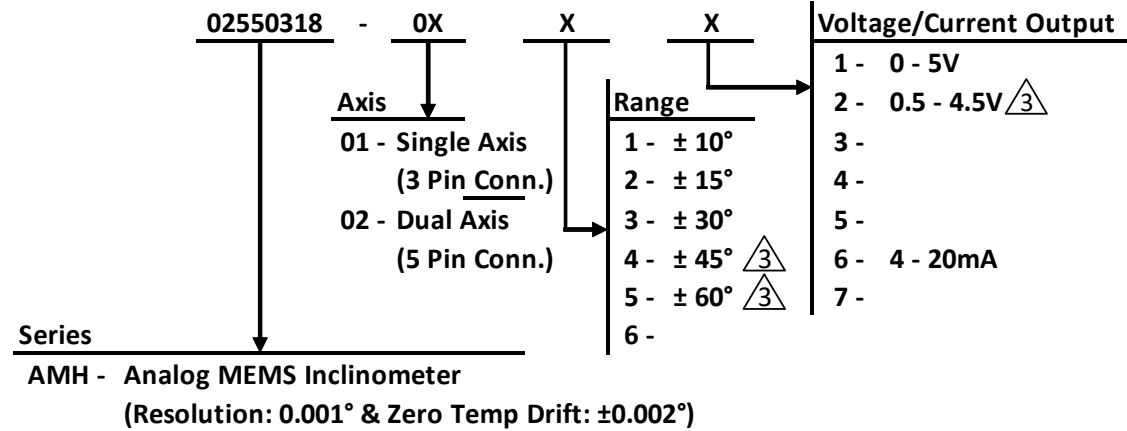
NOTES:

1. UNITS: [mm]
Inch

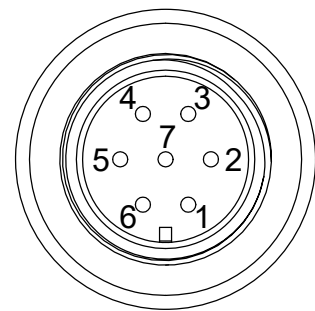
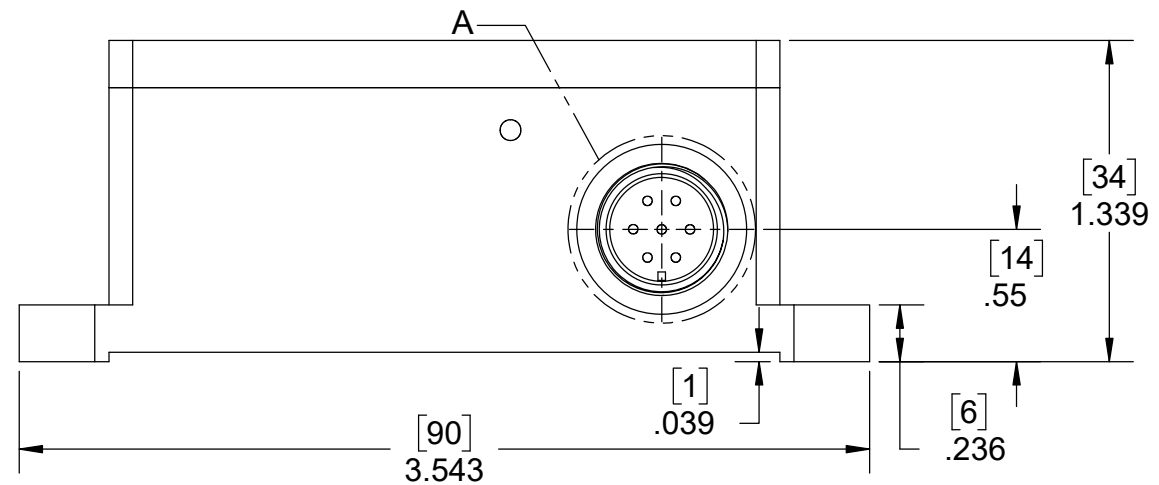
2. JEWELL PART NO.:

- 1. AXIS: 02550318-X[X]XX
- 2. RANGE: 02550318-XX[X]X
- 3. OUTPUT SIGNAL: 02550318-XXX[X]

Analog Output:



- 3. CUSTOM OUTPUTS & RANGES ARE AVAILABLE. CONTACT JEWELL SALES FOR DETAILS.
- 4. SINGLE AXIS ROTATION: X-AXIS. SINGLE AXIS UNITS WILL NOT HAVE Y-ARROWS ON LABEL.
- 5. CONFIGURED FOR 11.5-36VDC INPUT POWER UNLESS SPECIFIED.
- 6. CONNECTOR INFORMATION: M12, 7 PIN
- 7. INCLUDED CABLE LENGTH: 1 METER
- 8. CONNECTOR ORIENTATION MAY VARY.



DETAIL A
MALE FACE VIEW
SCALE 2 : 1

PIN	SINGLE AXIS (0255318-01XX)	DUAL AXIS (02550318-02XX)
1	+VDC 11.5V~36V	+VDC 11.5V~36V
2	X-AXIS OUT	X-AXIS OUT
3	NC	Y-AXIS OUT
4	GROUND	GROUND
5	FACTORY USE ONLY	FACTORY USE ONLY
6	NC	NC
7	NC	NC

APPLICATION		DIMENSIONS ARE IN INCHES AND APPLY TO PART BEFORE FINISHING		Jewell Instruments MANCHESTER, NH TRIPLETT MODUTEC A&M EMICO	TITLE AMH - ANALOG SERIES MEMS INCLINOMETER	
USED ON	NEXT ASSY	TOLERANCE UNLESS SPECIFIED TWO PLACE DECIMALS (.00) ± .01 THREE PLACE DECIMALS (.000) ± .005 ANGLES ± 1° RAW MATL - COMMERCIAL STANDARD			DRAWING NO. OD02550318-XXXX	
MATERIAL		DRAWN R.B.	DATE 5/5/2014	<small>PROPRIETARY NOTICE THIS DRAWING IS THE PROPERTY OF JEWELL INSTRUMENTS, LLC. NEITHER THIS DOCUMENT NOR THE DATA CONTAINED HEREIN SHALL BE DISCLOSED, REPRODUCED IN WHOLE OR IN PART WITHOUT THE WRITTEN AUTHORIZATION OF JEWELL INSTRUMENTS, LLC. NO RIGHT IS GRANTED TO DISCLOSE OR SO USE ANY INFORMATION CONTAINED HEREIN. ALL RIGHTS RESERVED.</small>		
FINISH		CHECKER JKL	DATE 8/11/2014			
		APPROVED NCD	DATE 8/11/2014			
				SCALE 1.25:1	CAGE CODE 33005	SHEET 1 OF 1