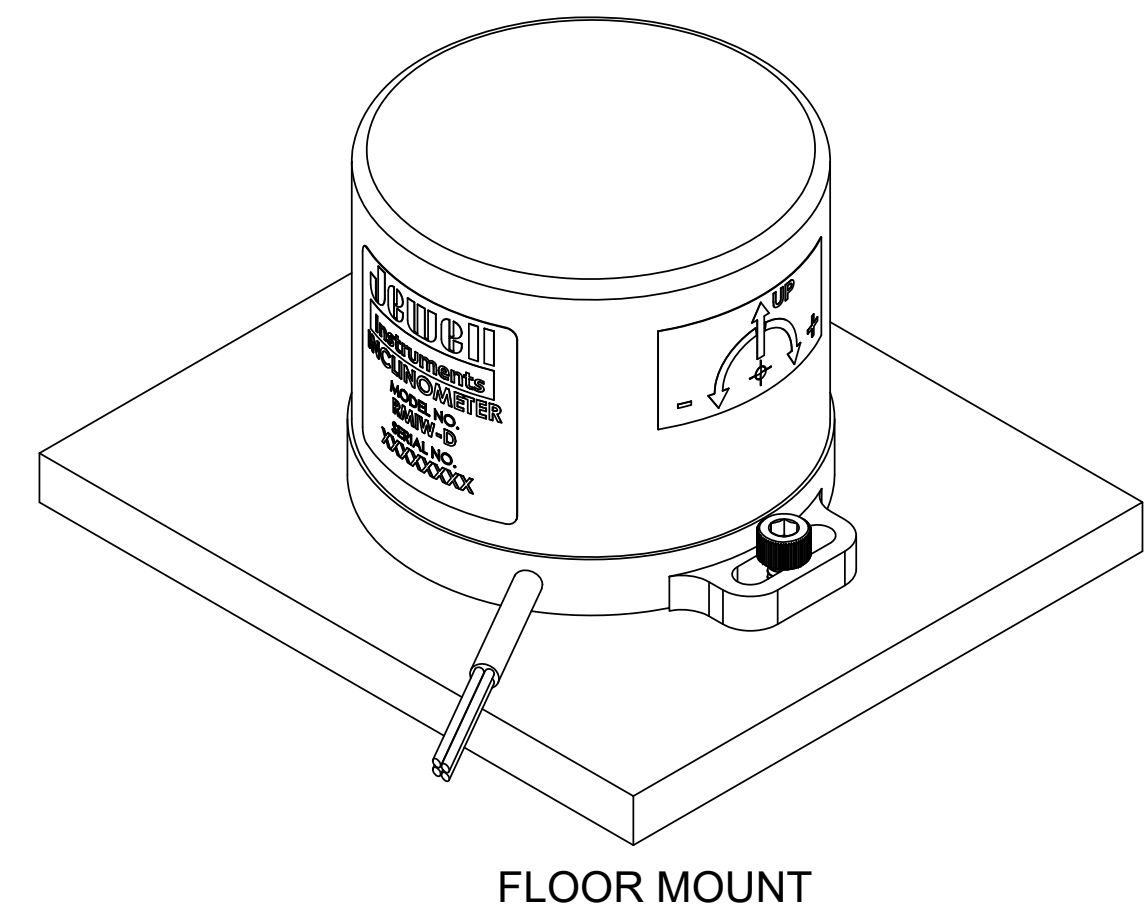
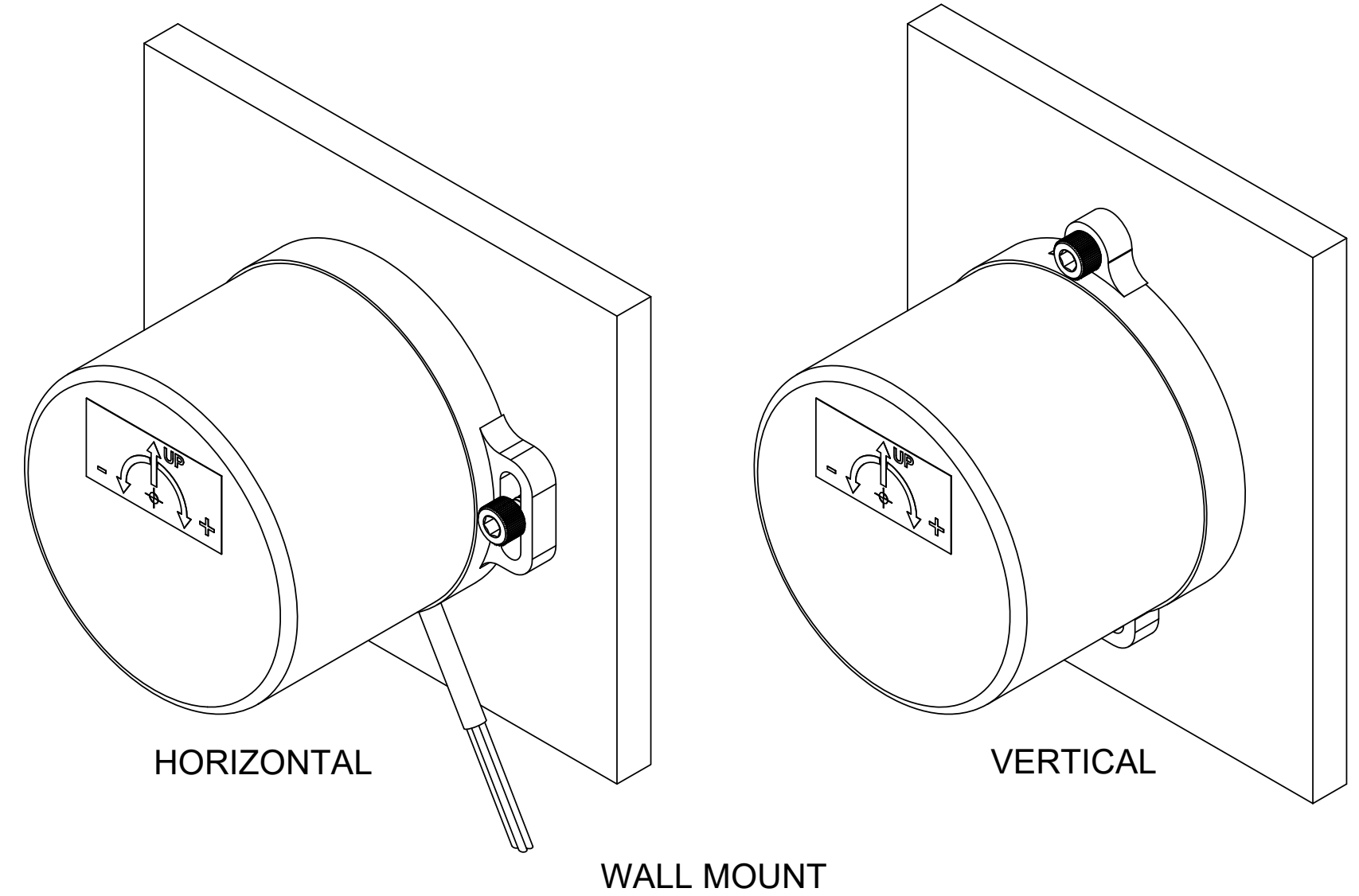
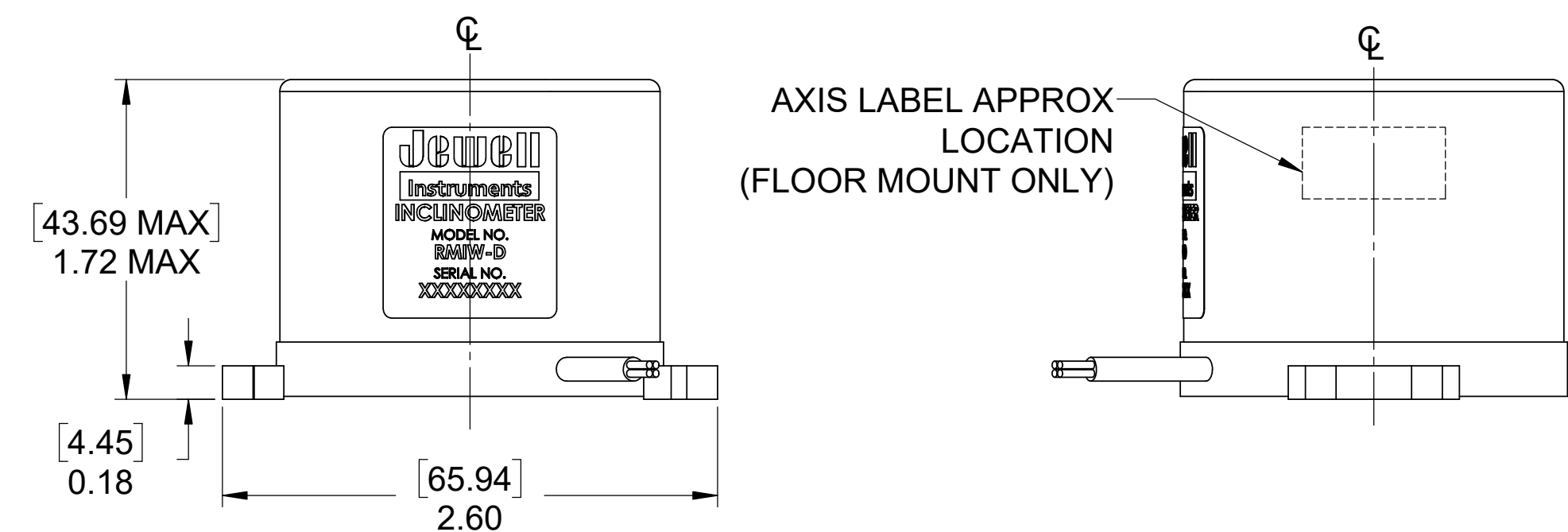
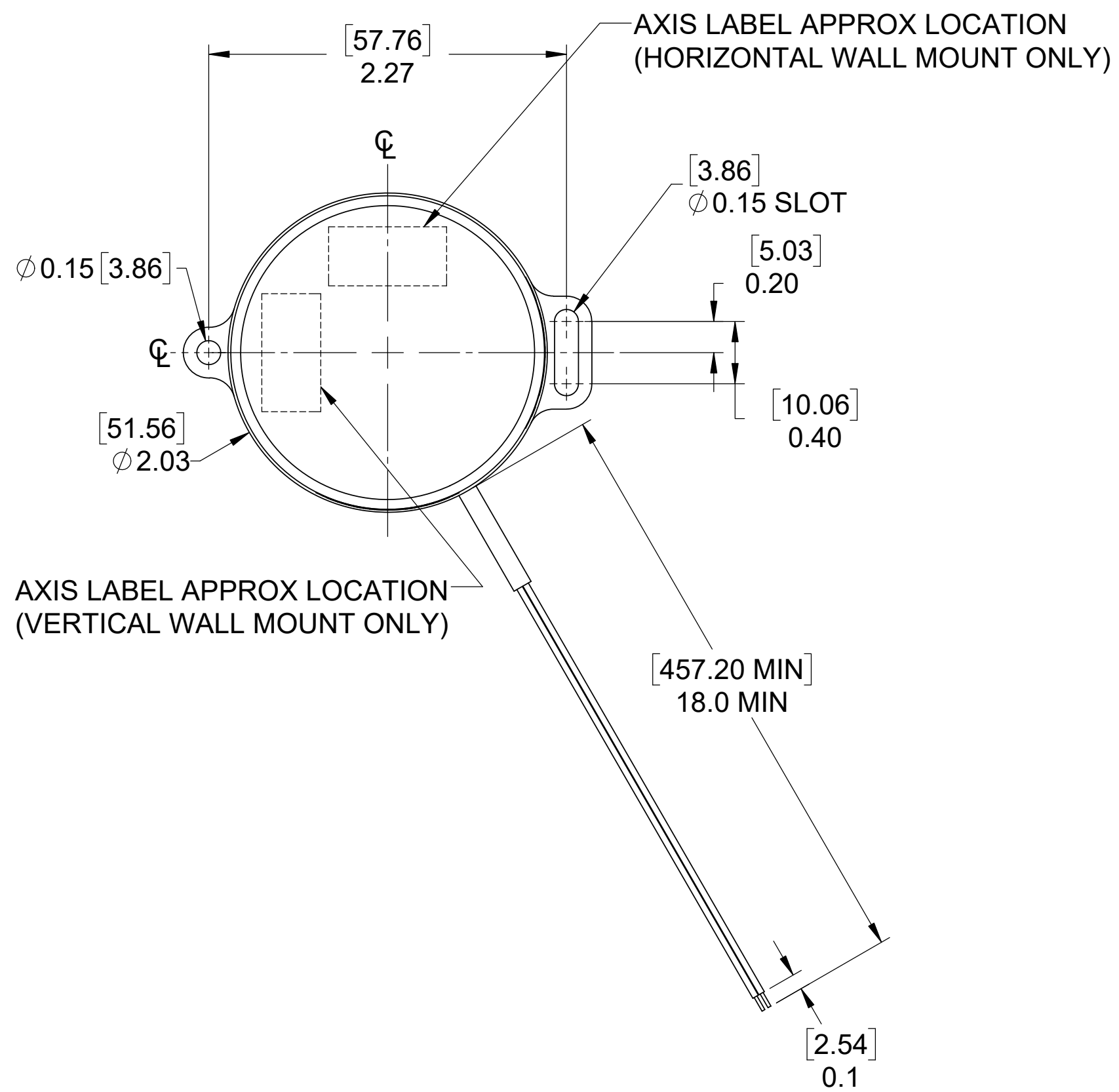


- NOTES:
1. UNITS ^[mm]
_{inch}
 2. ALL DIMENSIONS ARE FOR ALL CONFIGURATIONS.



UNIT OUTPUT	
CONNECTION	FUNCTION
RED	POWER(+15 TO +30 VDC)
BROWN	POWER/ SIGNAL COMMON
BLACK	POWER(-12 TO -18 VDC)
GREEN	OUTPUT SIGNAL (Eo)

APPLICATION	DIMENSIONS ARE IN INCHES AND APPLY TO PART BEFORE FINISHING	MANCHESTER, NH TRIPLETT MODUTEC A&M EMICO	TITLE
USED ON	TOLERANCE UNLESS SPECIFIED TWO PLACE DECIMALS (0.01) ± 0.01 THREE PLACE DECIMALS (0.001) ± 0.005 ANGLES ± 1° RAW MATL - COMMERCIAL STANDARD		RMIW - DUAL SUPPLY EMERALD SERIES
MATERIAL	DRAWN DATE	DATE	DRAWING IS THE PROPERTY OF JEWELL INSTRUMENTS, LLC. NEITHER THIS DOCUMENT NOR THE DATA CONTAINED HEREIN SHALL BE DISCLOSED, REPRODUCED IN WHOLE OR IN PART WITHOUT THE WRITTEN AUTHORIZATION OF JEWELL INSTRUMENTS, LLC. NO RIGHT IS GRANTED TO DISCLOSE OR SO USE ANY INFORMATION CONTAINED HEREIN. ALL RIGHTS RESERVED.
FINISH	CHECKER DATE	DATE	SCALE
	APPROVED DATE	DATE	CAGE CODE
	ENGINEER DATE	DATE	33005
			SHEET 1 OF 1