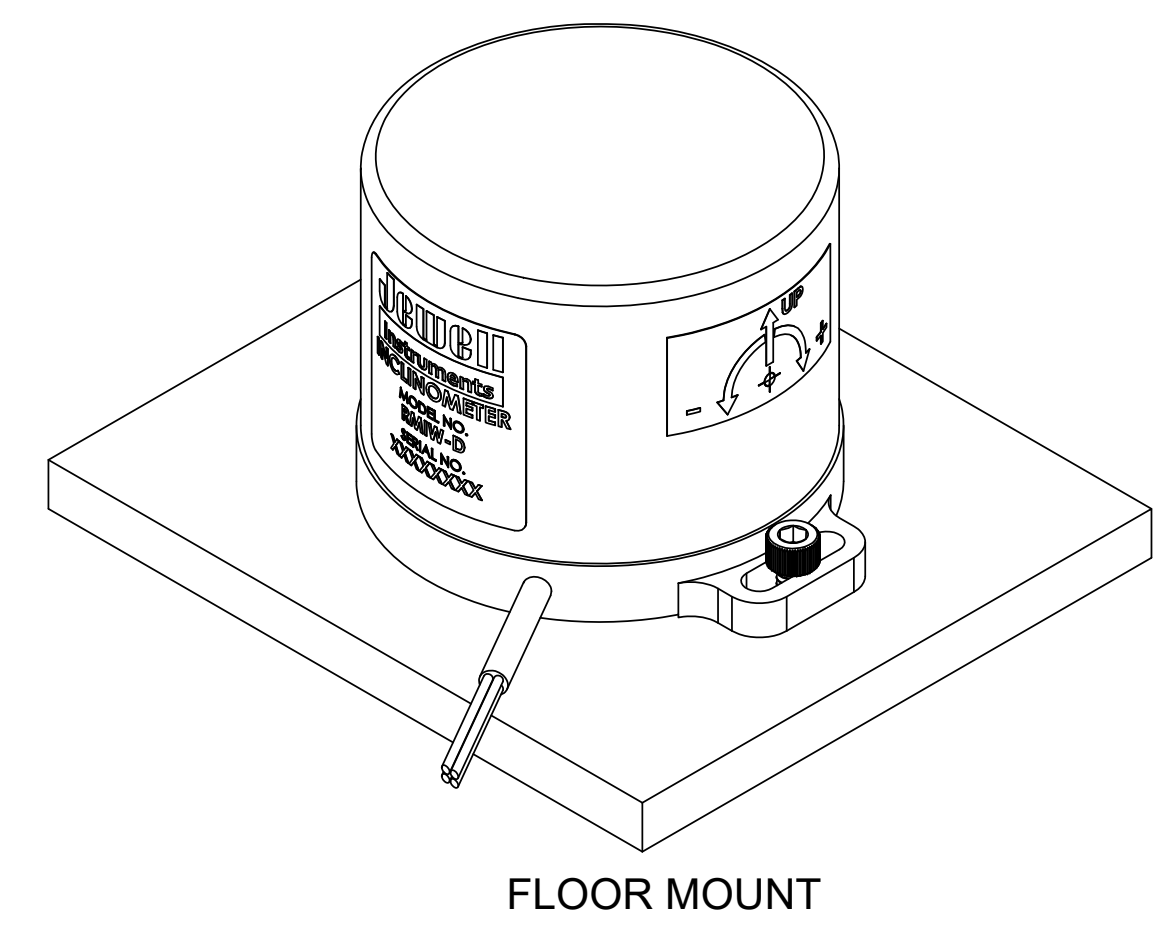
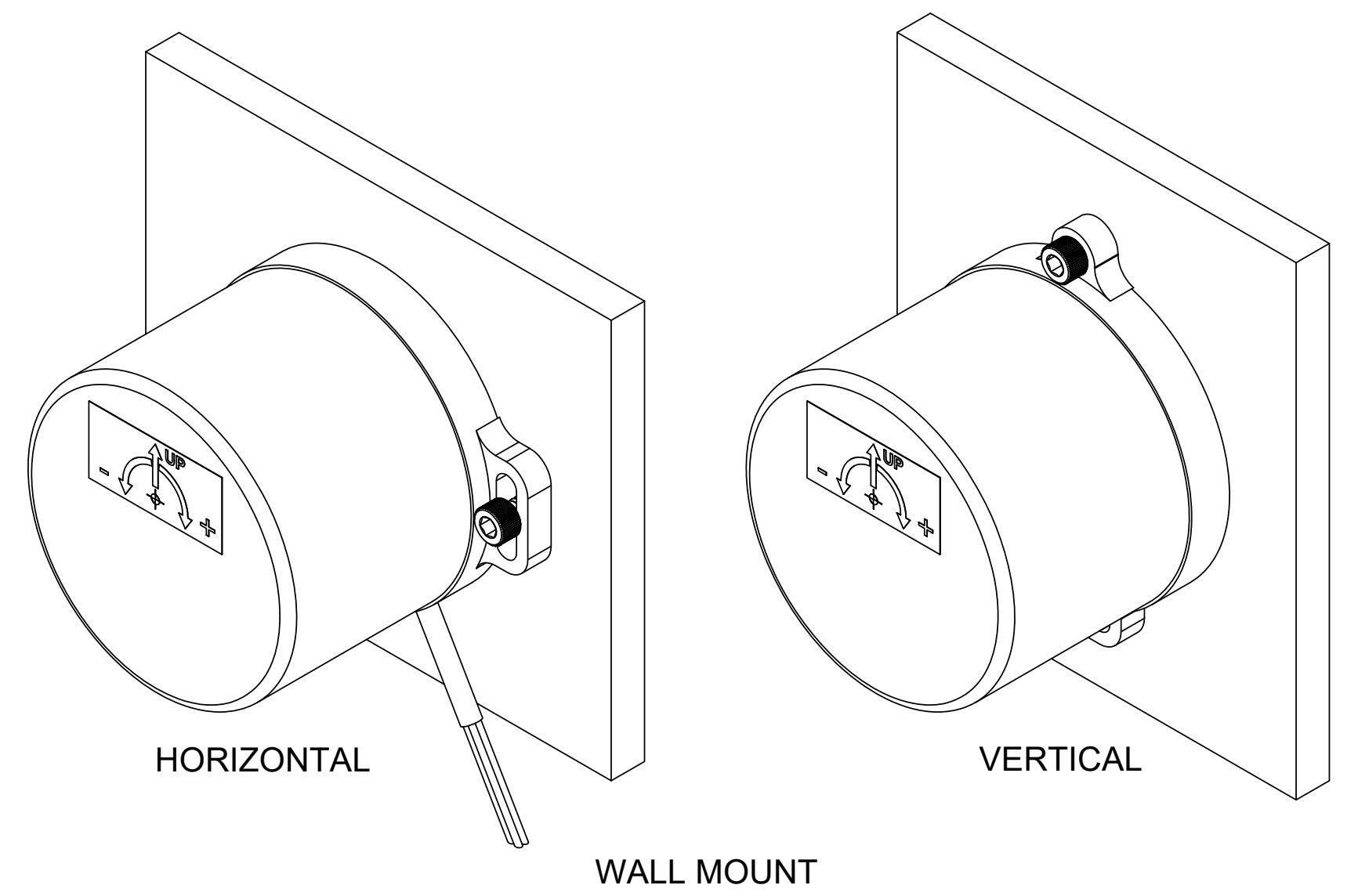
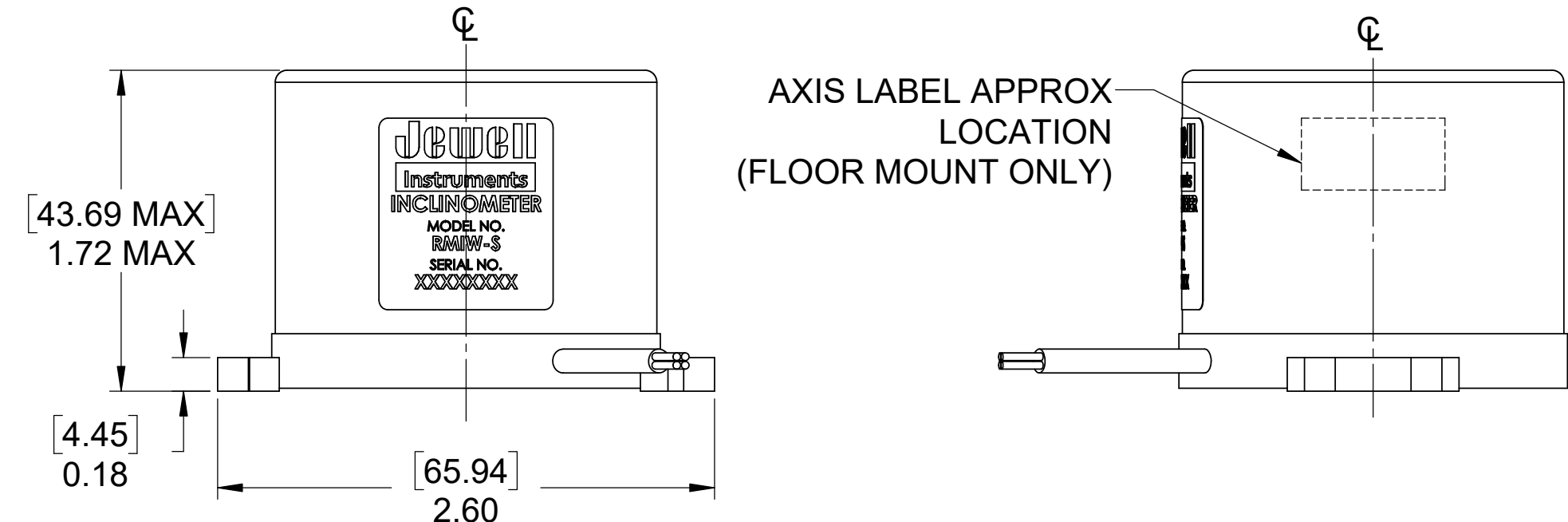
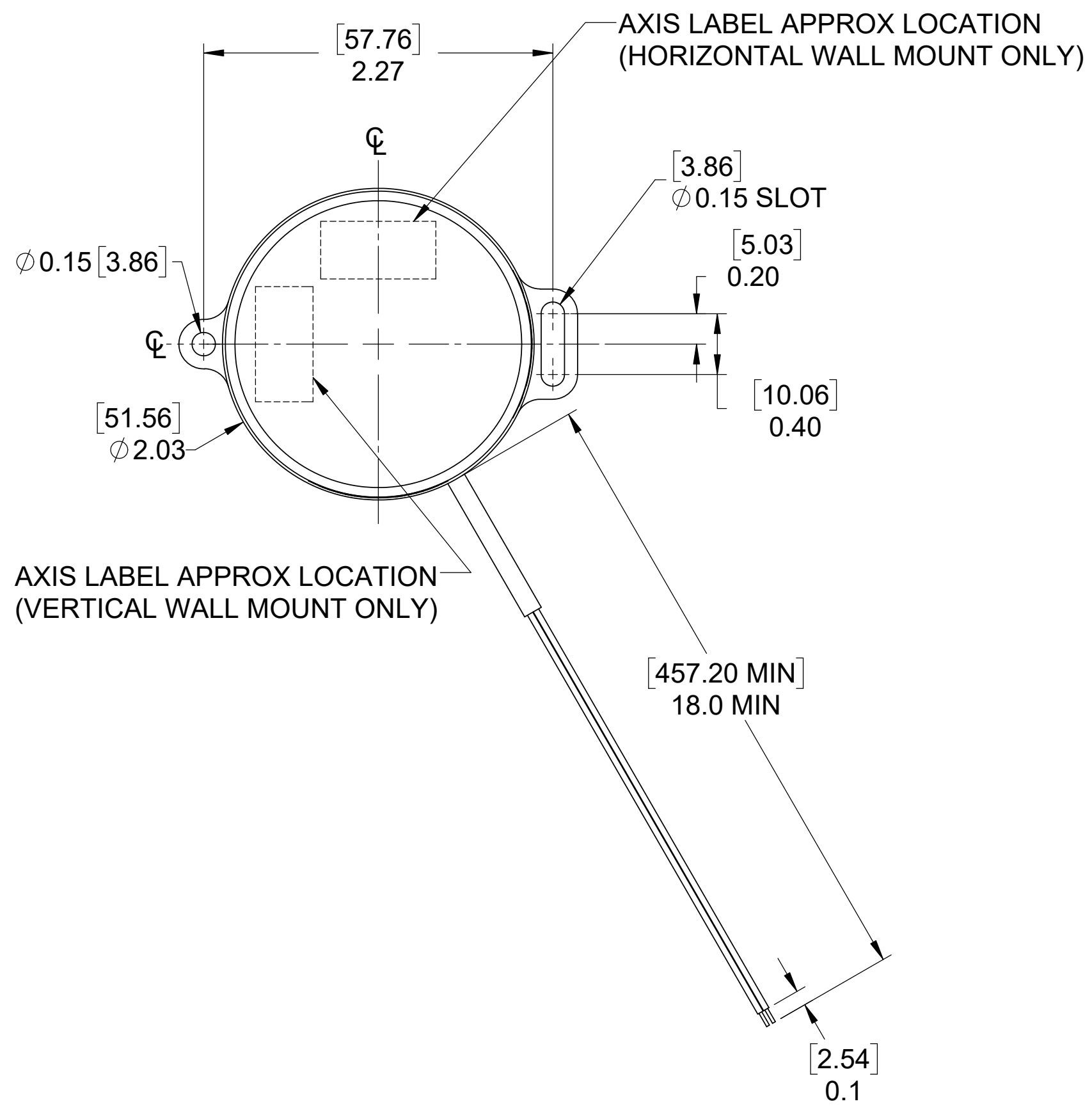


- NOTES:  
 1. UNITS <sup>[mm]</sup><sub>inch</sub>  
 2. ALL DIMENSIONS ARE FOR ALL CONFIGURATIONS.



UNIT OUTPUT	
CONNECTION	FUNCTION
RED	POWER(+15 TO +30 VDC)
BROWN	POWER/ SIGNAL COMMON
GREEN	OUTPUT SIGNAL (Eo)

APPLICATION	DIMENSIONS ARE IN INCHES AND APPLY TO PART BEFORE FINISHING	MANCHESTER, NH TRIPLETT MODUTEC A&M EMICO	TITLE RMIW - SINGLE SUPPLY EMERALD SERIES	
USED ON	TOLERANCE UNLESS SPECIFIED TWO PLACE DECIMALS (0.01) ± 0.01 THREE PLACE DECIMALS (0.001) ± 0.005 ANGLES ± 1° RAW MATL - COMMERCIAL STANDARD		DRAWING NO. OD02550290-000	REV C
MATERIAL	CHECKER RB	DATE 02/26/2015	SCALE 1.25:1	CAGE CODE 33005
FINISH	APPROVED TD	DATE 03/30/2015	SHEET 1 OF 1	
	NCD	DATE 05/14/2015		