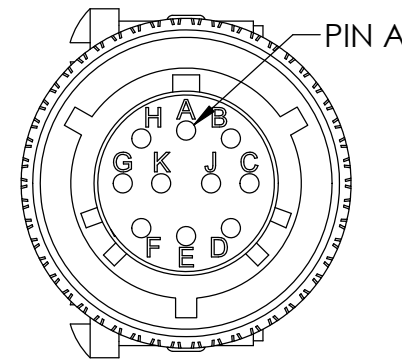
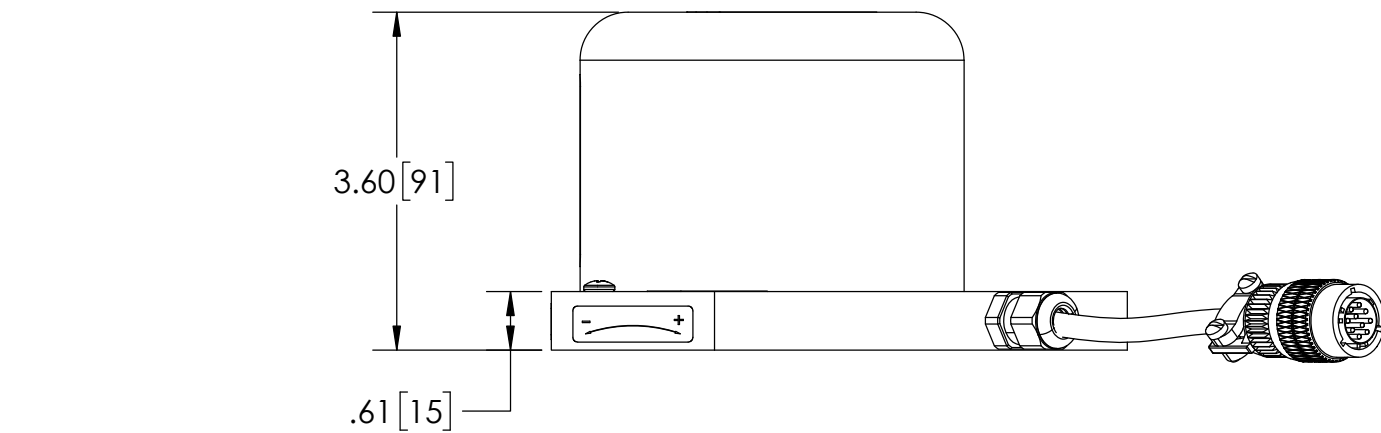
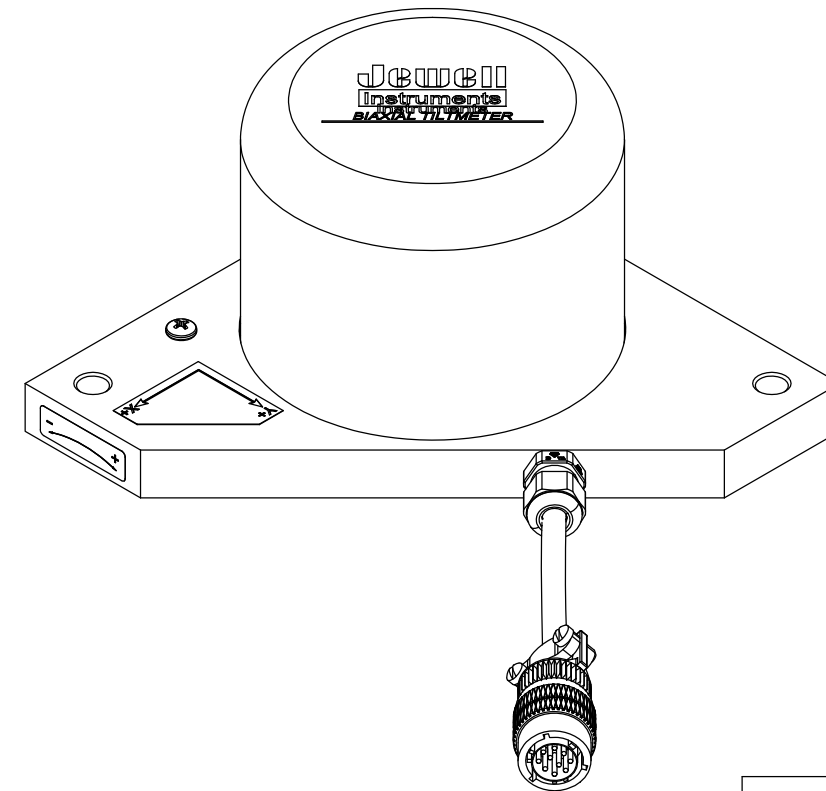
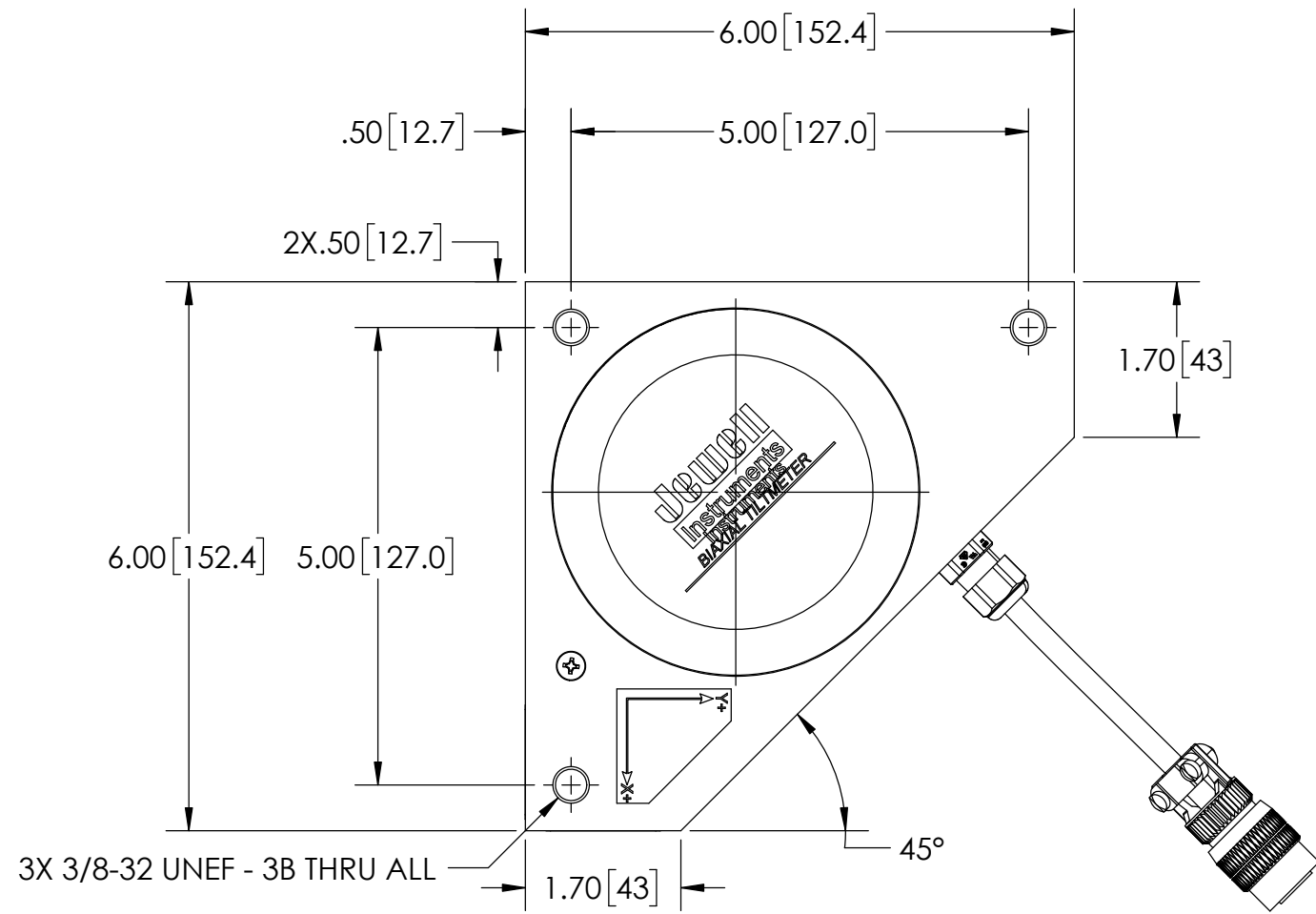


REVISIONS					
ZONE	REV.	DESCRIPTION	DATE	ECO	DRFTSPRSN
	1	INITIAL DESIGN	8/15/2025		GR



FACE VIEW CONNECTOR

CONN PIN	WIRE COLOR	FUNCTION
A	BLACK	PWR GND
B	BROWN	RX+ RS485
C	YELLOW	RX- RS485
D	ORANGE	TX+ RS485
E	BLUE	TX RS232
F	CLEAR	CABLE SHIELD
G	GREEN	RX RS232
H	RED	PWR
J	GRAY	TX- RS485
K	-	N/C

APPLICATION		DIMENSIONS ARE IN INCHES AND APPLY TO PART BEFORE FINISHING	
USED ON	NEXT ASSY	TOLERANCE UNLESS SPECIFIED	
		TWO PLACE DECIMALS (.00) ± .01	
		THREE PLACE DECIMALS (.000) ± .005	
		ANGLES ± 1°	
		RAW MATL - COMMERCIAL STANDARD	
MATERIAL		DRAWN	DATE
		GR	8/15/2025
		CHECKER	DATE
FINISH		APPROVED	DATE



MANCHESTER, NH
MODUTEC A&M EMICO

PROPRIETARY NOTICE
THIS DRAWING IS THE PROPERTY OF JEWELL INSTRUMENTS, LLC. NEITHER THIS DOCUMENT NOR THE DATA CONTAINED HEREIN SHALL BE DISCLOSED, REPRODUCED IN WHOLE OR IN PART WITHOUT THE WRITTEN AUTHORIZATION OF JEWELL INSTRUMENTS, LLC. NO RIGHT IS GRANTED TO DISCLOSE OR SO USE ANY INFORMATION CONTAINED HEREIN. ALL RIGHTS RESERVED.

TITLE		
D701-A/B DIGITAL TILTMETER ROHS OUTLINE DRAWING		
DRAWING NO.	REV	
OD-98948	1	
SCALE	CAGE CODE	SHEET 1 OF 1
1:2	33005	