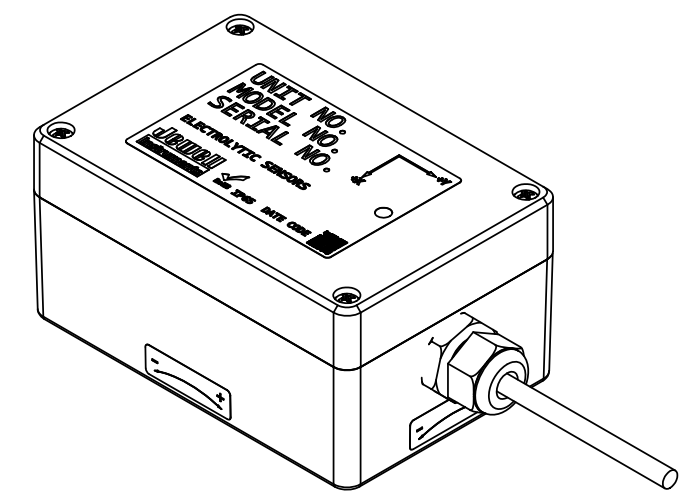
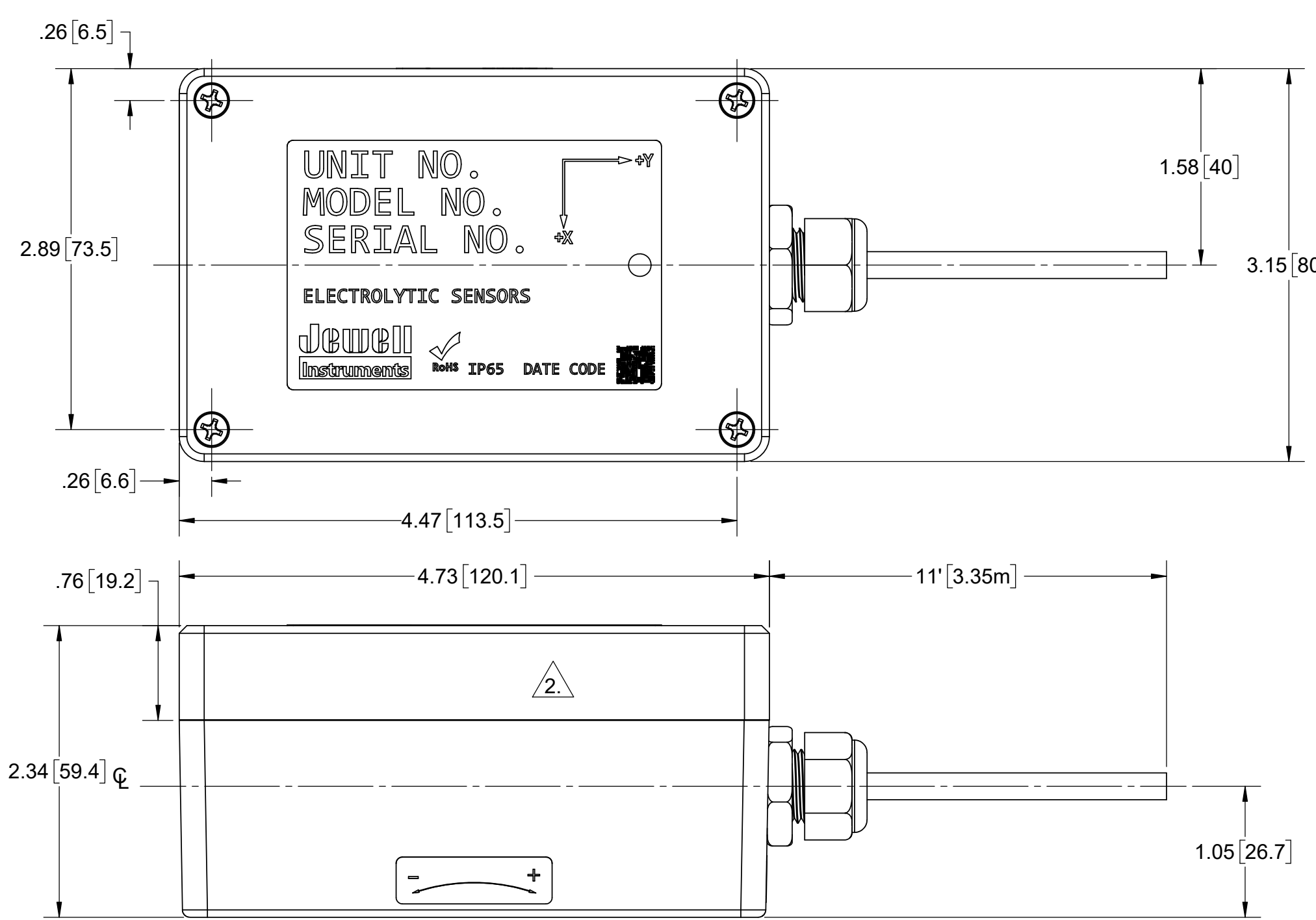


NOTE:


1. DIMENSIONS: in[mm]
2. CABLE LENGTH STANDARD 11FT. (OTHER LENGTHS AVAILABLE ON DEMAND.)

REVISIONS					
ZONE	REV.	DESCRIPTION	DATE	ECO	DRFTSPRSN
	A	RELEASED TO PRODUCTION	3/24/2025	31618	GR
	B	UPDATED LABEL	1/27/2026	31906	GR



RS232 PIN OUT	
DB9 PIN NO.	FUNCTION
2	TX
3	RX
5	GND
1	-
4	-
6	-
7	-
8	-
9	-

RS422 PIN OUT	
DB9 PIN NO.	FUNCTION
1	RX-
2	RX+
3	TX+
4	TX-
5	GND
6	-
7	-
8	-
9	-

APPLICATION		DIMENSIONS ARE IN INCHES AND APPLY TO PART BEFORE FINISHING		 <p>MANCHESTER, NH MODUTEC A&M EMICO</p>	TITLE	
USED ON	NEXT ASSY	TOLERANCE UNLESS SPECIFIED			D801, TUFF TILT ROHS OUTLINE DRAWING	
MATERIAL		TWO PLACE DECIMALS (.00) ± .01 THREE PLACE DECIMALS (.000) ± .005 ANGLES ± 1° RAW MATL - COMMERCIAL STANDARD			DRAWING NO.	
FINISH		DRAWN	DATE		REV	
		GR	3/24/2025	OD-98943-00 ROHS B		
		CHECKER	DATE	SCALE		
		LJ	1/27/2026	1:1		
		APPROVED	DATE	CAGE CODE	SHEET 1 OF 1	
		JC	1/28/2026	33005		

PROPRIETARY NOTICE
THIS DRAWING IS THE PROPERTY OF JEWELL INSTRUMENTS, LLC. NEITHER THIS DOCUMENT NOR THE DATA CONTAINED HEREIN SHALL BE DISCLOSED, REPRODUCED IN WHOLE OR IN PART WITHOUT THE WRITTEN AUTHORIZATION OF JEWELL INSTRUMENTS, LLC. NO RIGHT IS GRANTED TO DISCLOSE OR SO USE ANY INFORMATION CONTAINED HEREIN. ALL RIGHTS RESERVED.