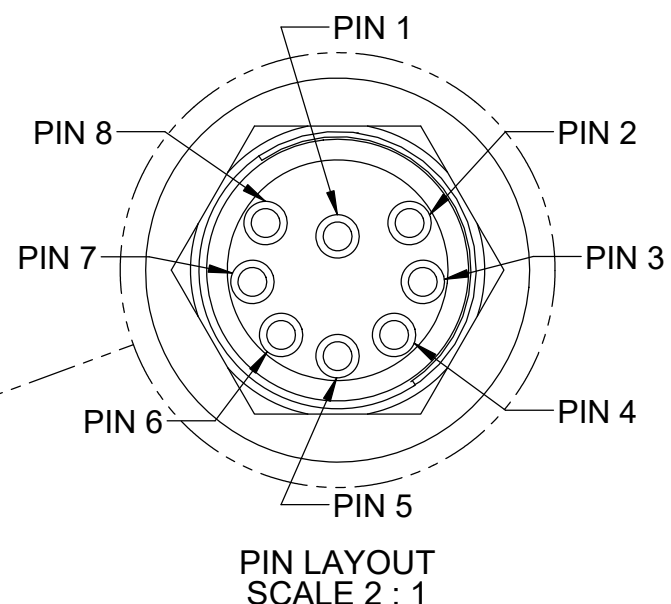
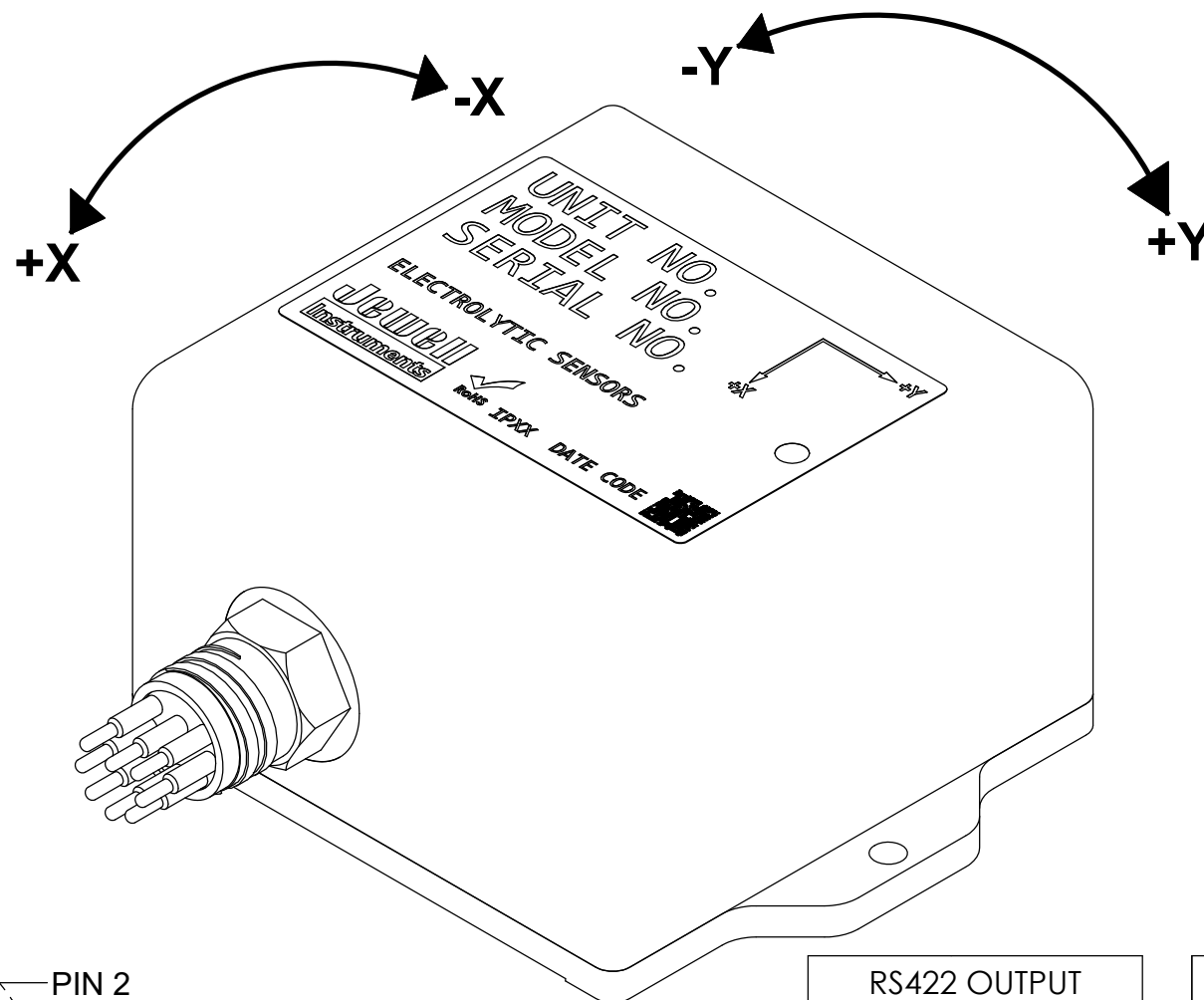
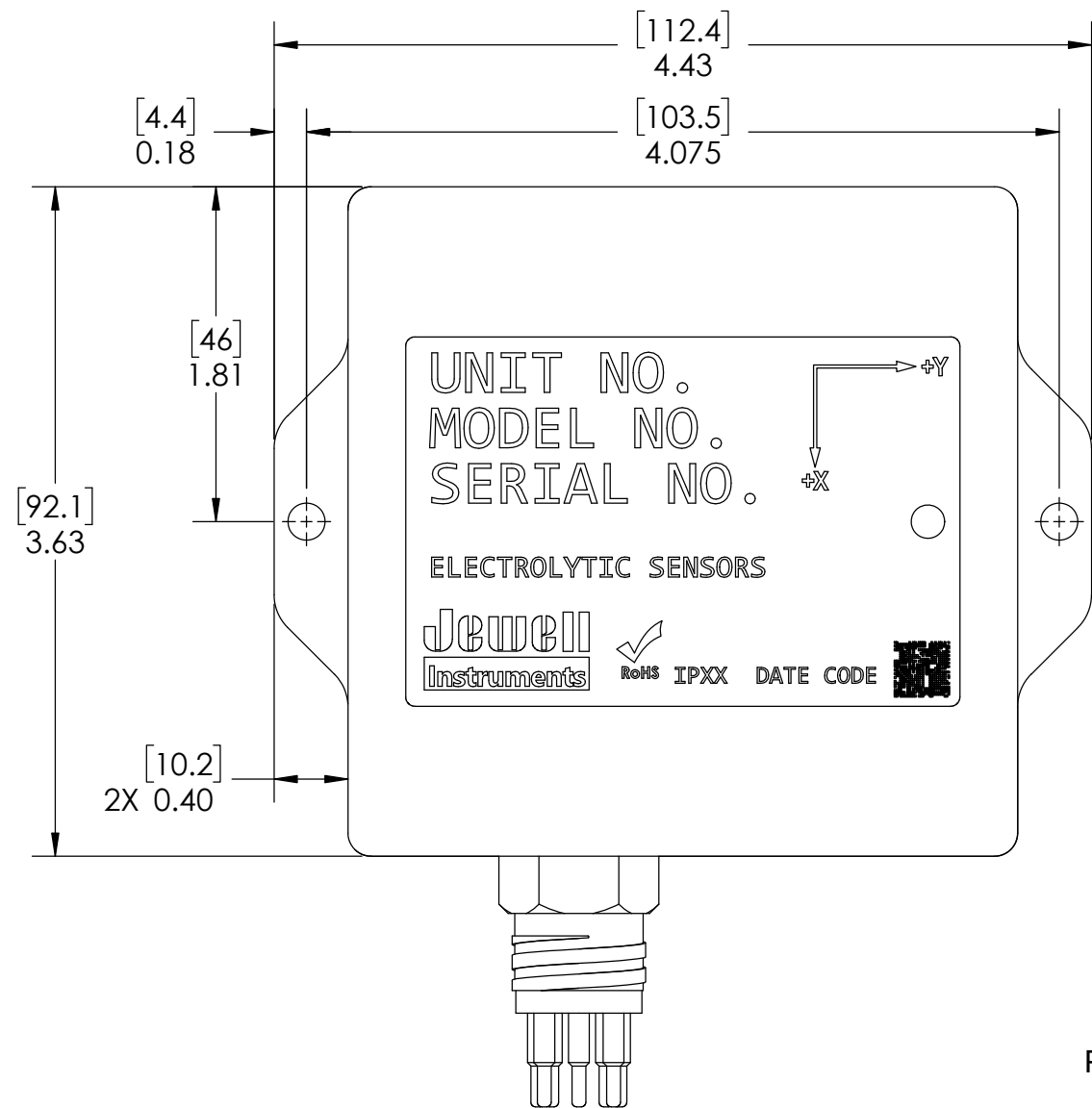


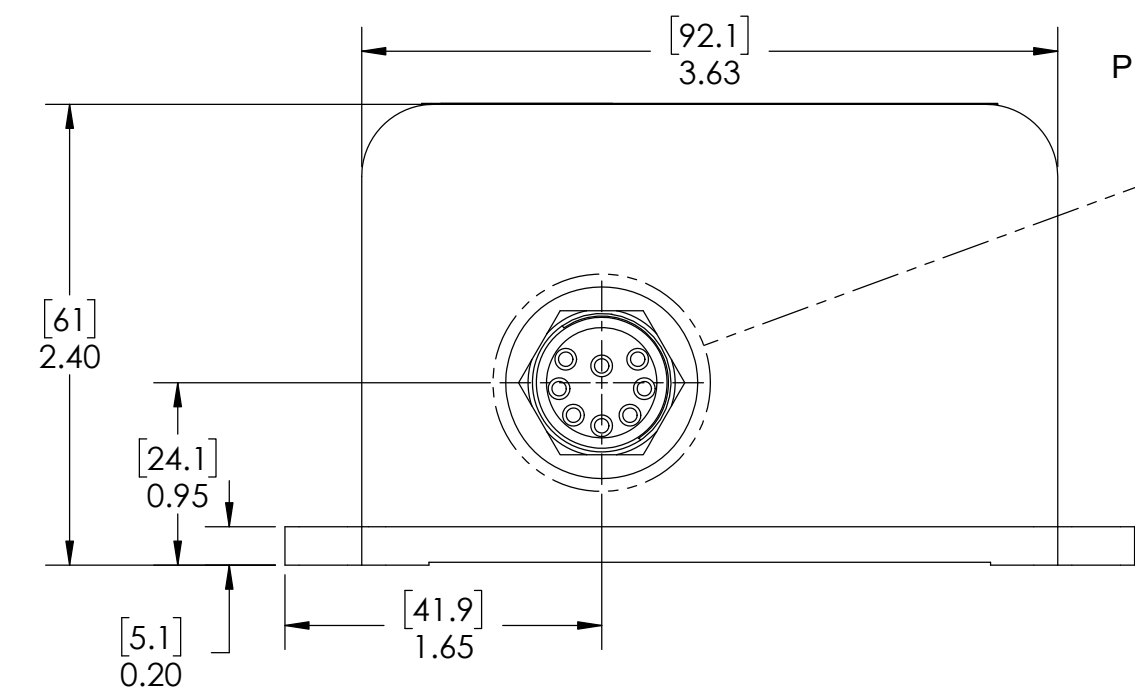
- NOTE:
- UNIT IS ROHS COMPLIANT.
 - ROTATION ORIENTATION OF CONNECTOR MAY VARY FROM IMAGE.

REVISIONS					
ZONE	REV.	DESCRIPTION	DATE	ECO	DRFTSPRSN
	A	INITIAL DESIGN	8/13/2025	31773	GR
	B	UPDATED LABEL; ROTATED CONNECTOR VIEW	3/2/2026	31931	GR



RS422 OUTPUT	
PIN #	FUNCTION
1	PWR
2	GND
3	TX+
4	TX-
5	RX-
6	RX+
7	
8	

RS232 OUTPUT	
PIN #	FUNCTION
1	PWR
2	GND
3	RxD
4	
5	
6	TxD
7	
8	



APPLICATION		DIMENSIONS ARE IN INCHES AND APPLY TO PART BEFORE FINISHING	
USED ON	NEXT ASSY	TOLERANCE UNLESS SPECIFIED	
		TWO PLACE DECIMALS (00) ± .01	
		THREE PLACE DECIMALS (000) ± .005	
		ANGLES ± 1°	
		RAW MATL - COMMERCIAL STANDARD	
MATERIAL		DRAWN	DATE
		GR	6/15/2017
		CHECKER	DATE
		DWK	8/18/2025
FINISH		APPROVED	DATE
		JC	8/18/2025

Jewell Instruments

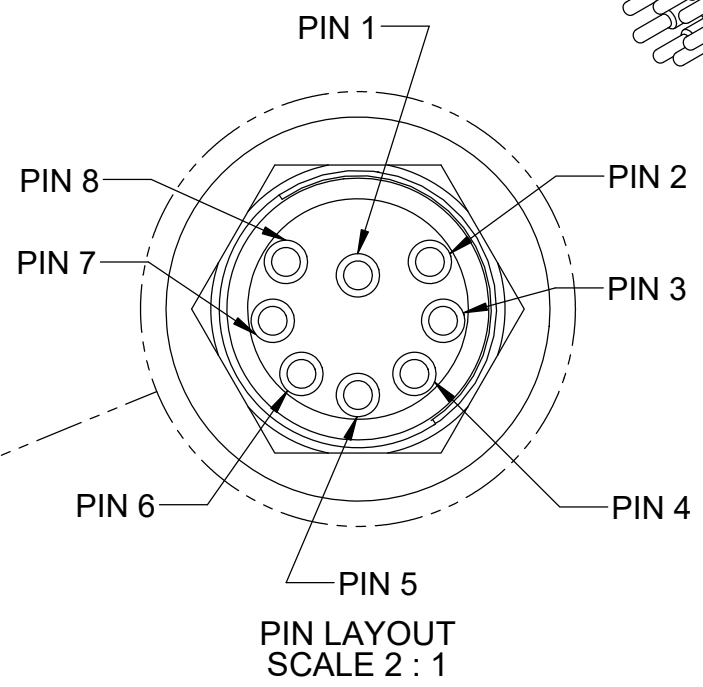
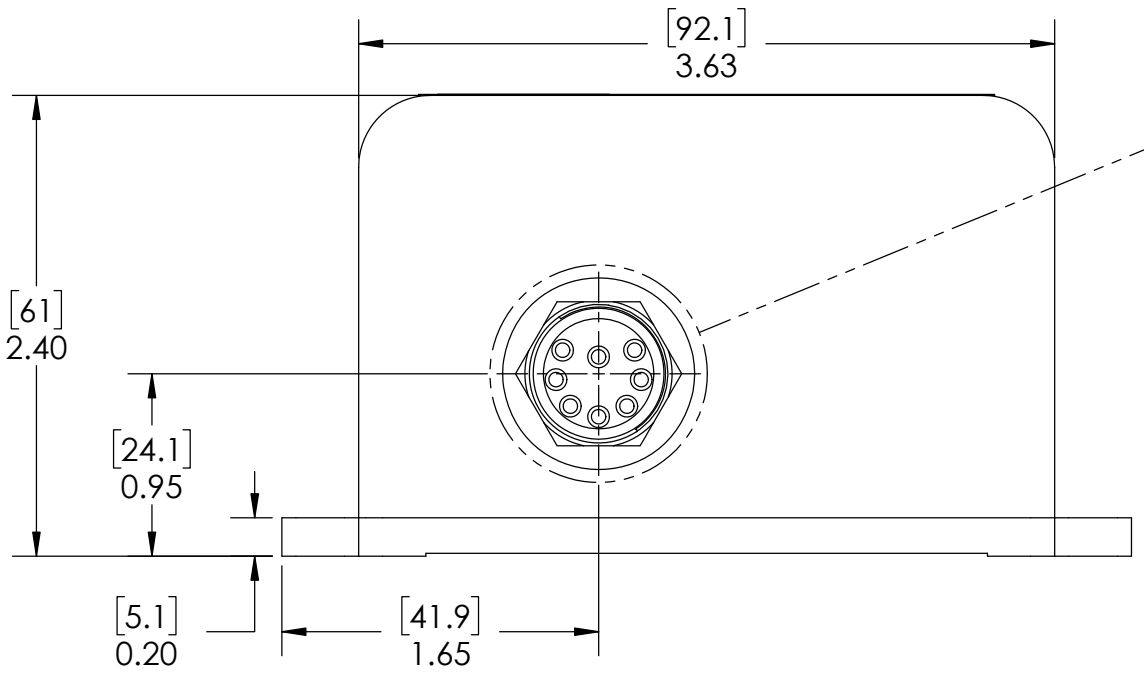
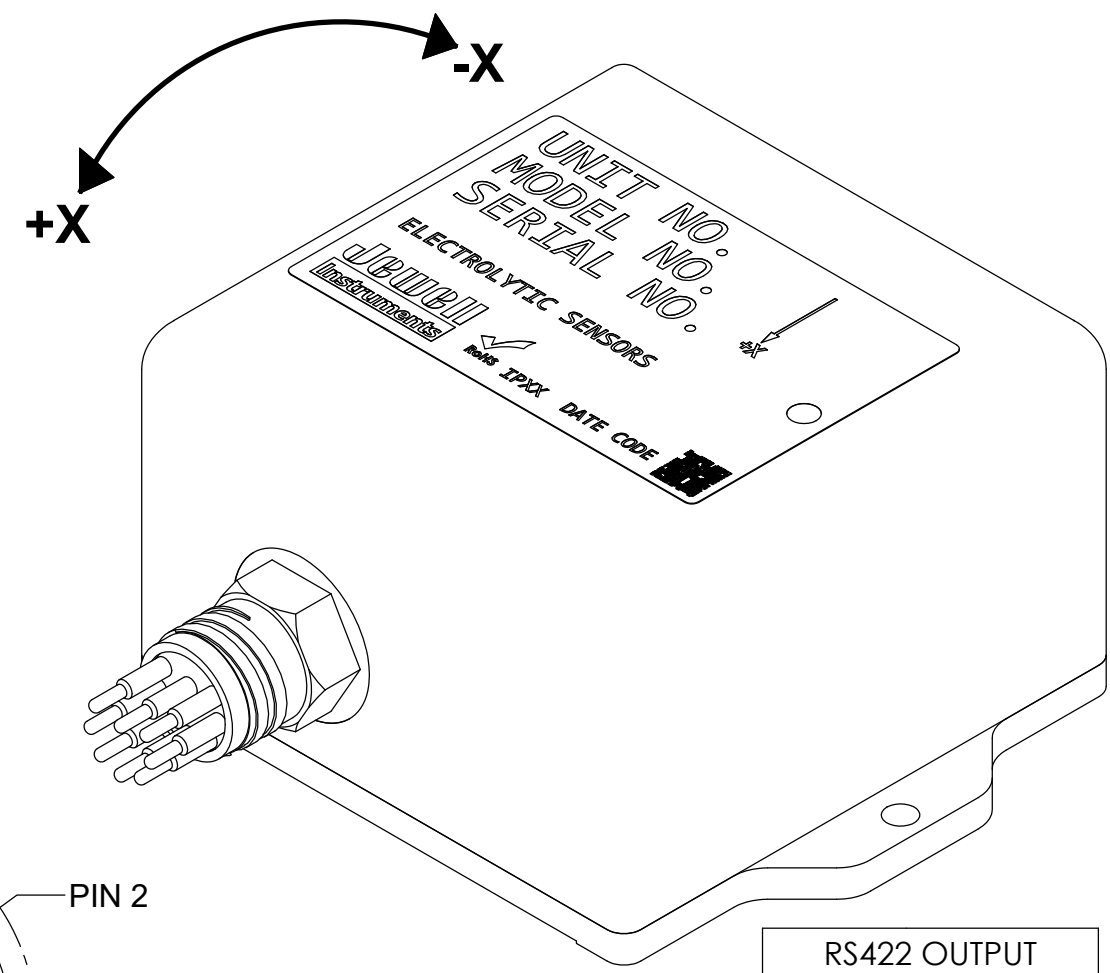
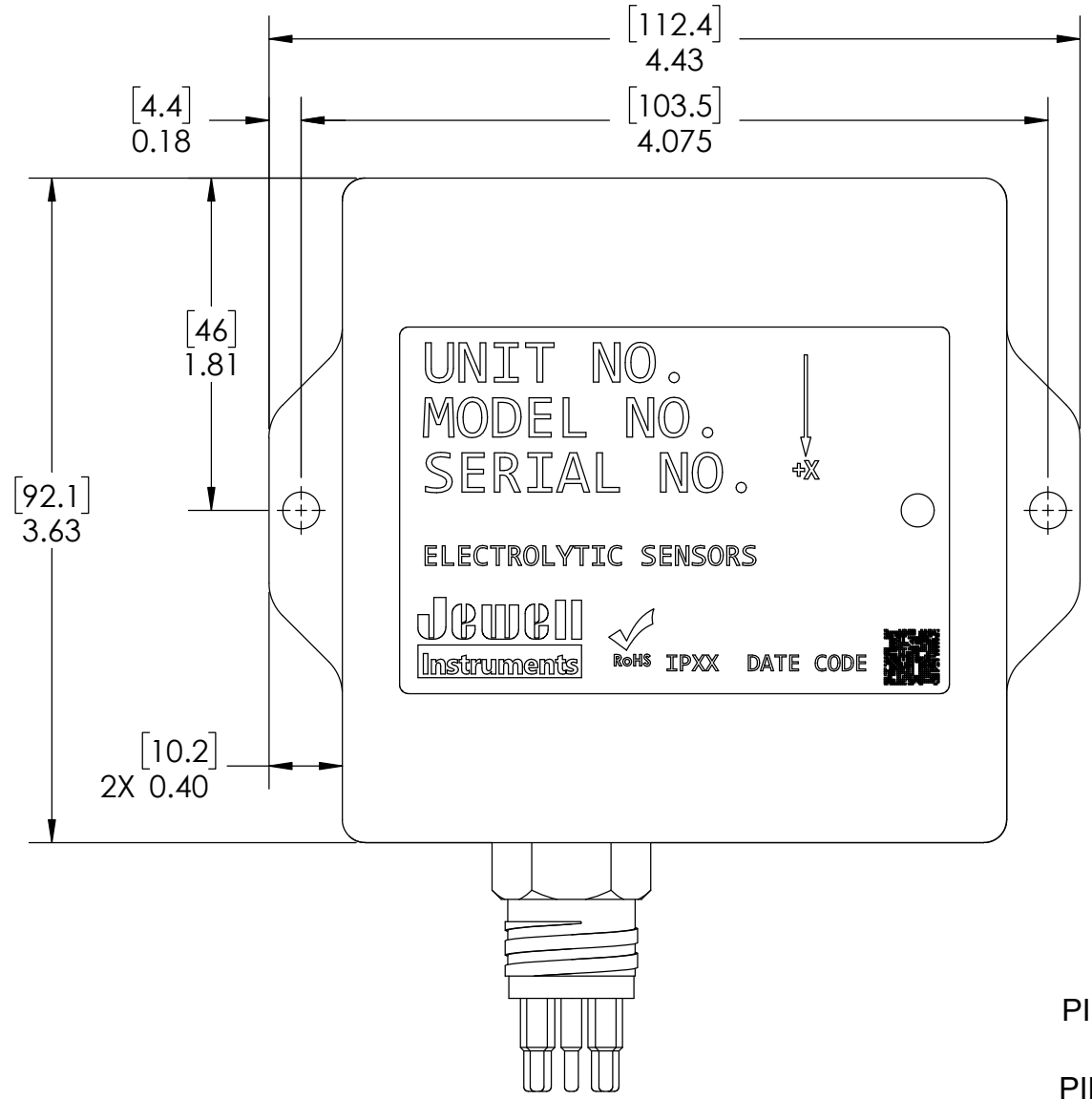
MANCHESTER, NH
MODUTEC A&M EMICO

PROPRIETARY NOTICE
THIS DRAWING IS THE PROPERTY OF JEWELL INSTRUMENTS, LLC. NEITHER THIS DOCUMENT NOR THE DATA CONTAINED HEREIN SHALL BE DISCLOSED, REPRODUCED IN WHOLE OR IN PART WITHOUT THE WRITTEN AUTHORIZATION OF JEWELL INSTRUMENTS, LLC. NO RIGHT IS GRANTED TO DISCLOSE OR SO USE ANY INFORMATION CONTAINED HEREIN. ALL RIGHTS RESERVED.

TITLE		D820 SHALLOW WATER DIGITAL (BIAXIAL) OUTLINE DRAWING	
DRAWING NO.	REV		
OD-98822-ROHS	B		
SCALE	CAGE CODE	SHEET 1 OF 3	
1:1	33005		

NOTE:
 1. UNIT IS ROHS COMPLIANT.
 2. ROTATION ORIENTATION OF CONNECTOR MAY VARY FROM IMAGE.

REVISIONS					
ZONE	REV.	DESCRIPTION	DATE	ECO	DRFTSPRSN
	A	INITIAL DESIGN	8/13/2025	31773	GR
	B	UPDATED LABEL; ROTATED CONNECTOR VIEW	3/2/2026	31931	GR



RS422 OUTPUT	
PIN #	FUNCTION
1	PWR
2	GND
3	TX+
4	TX-
5	RX-
6	RX+
7	
8	

RS232 OUTPUT	
PIN #	FUNCTION
1	PWR
2	GND
3	RxD
4	
5	
6	TxD
7	
8	

APPLICATION		DIMENSIONS ARE IN INCHES AND APPLY TO PART BEFORE FINISHING	
USED ON	NEXT ASSY	TOLERANCE UNLESS SPECIFIED	
		TWO PLACE DECIMALS (.00) ± .01	
		THREE PLACE DECIMALS (.000) ± .005	
		ANGLES ± 1°	
		RAW MATL - COMMERCIAL STANDARD	
MATERIAL		DRAWN	DATE
		GR	6/15/2017
		CHECKER	DATE
		DWK	8/18/2025
FINISH		APPROVED	DATE
		JC	8/18/2025

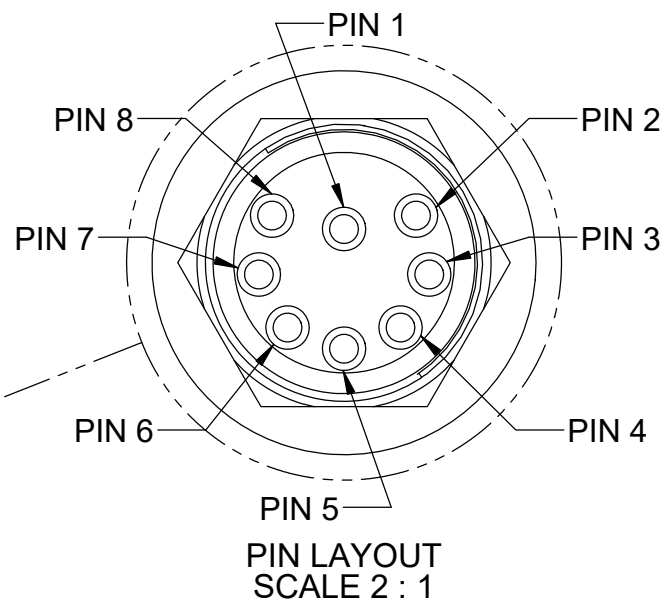
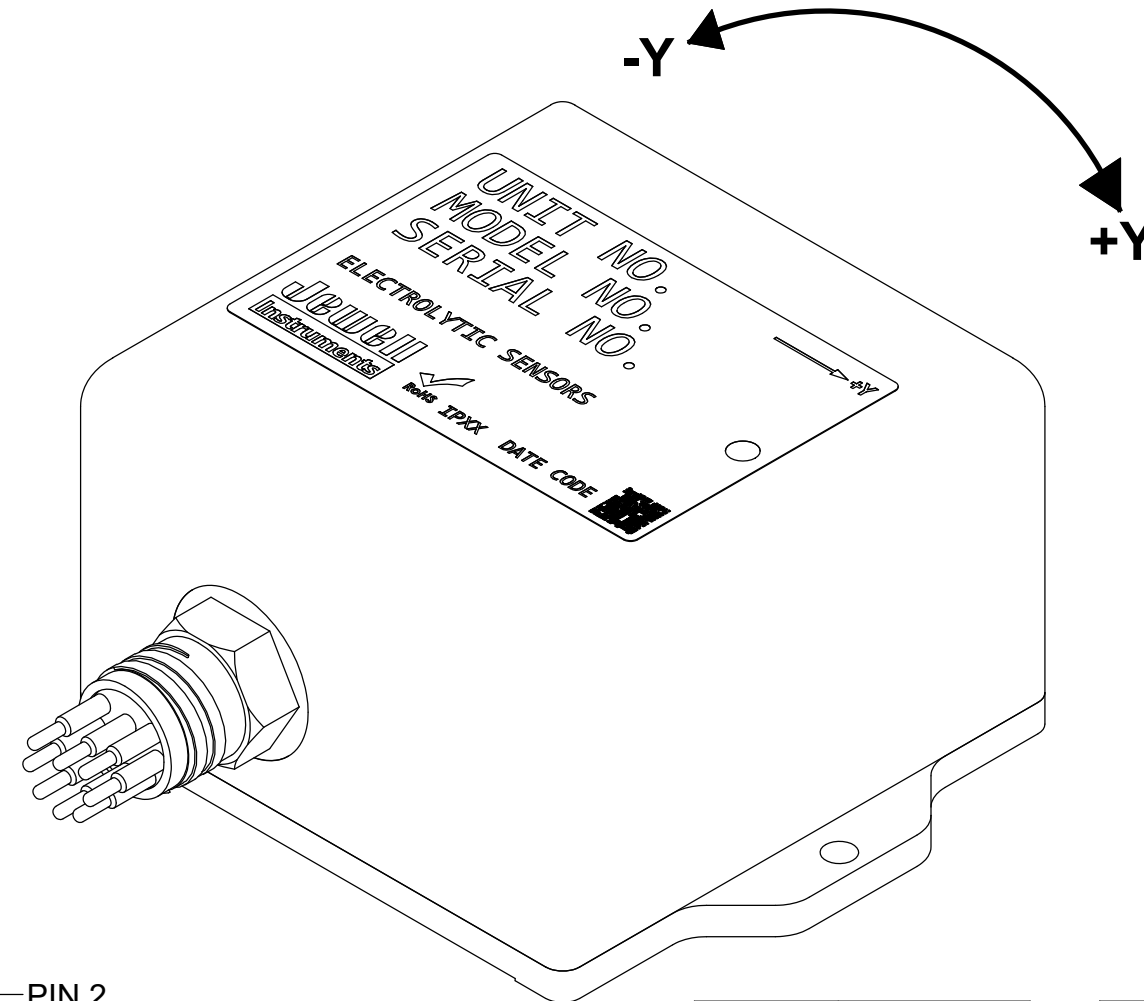
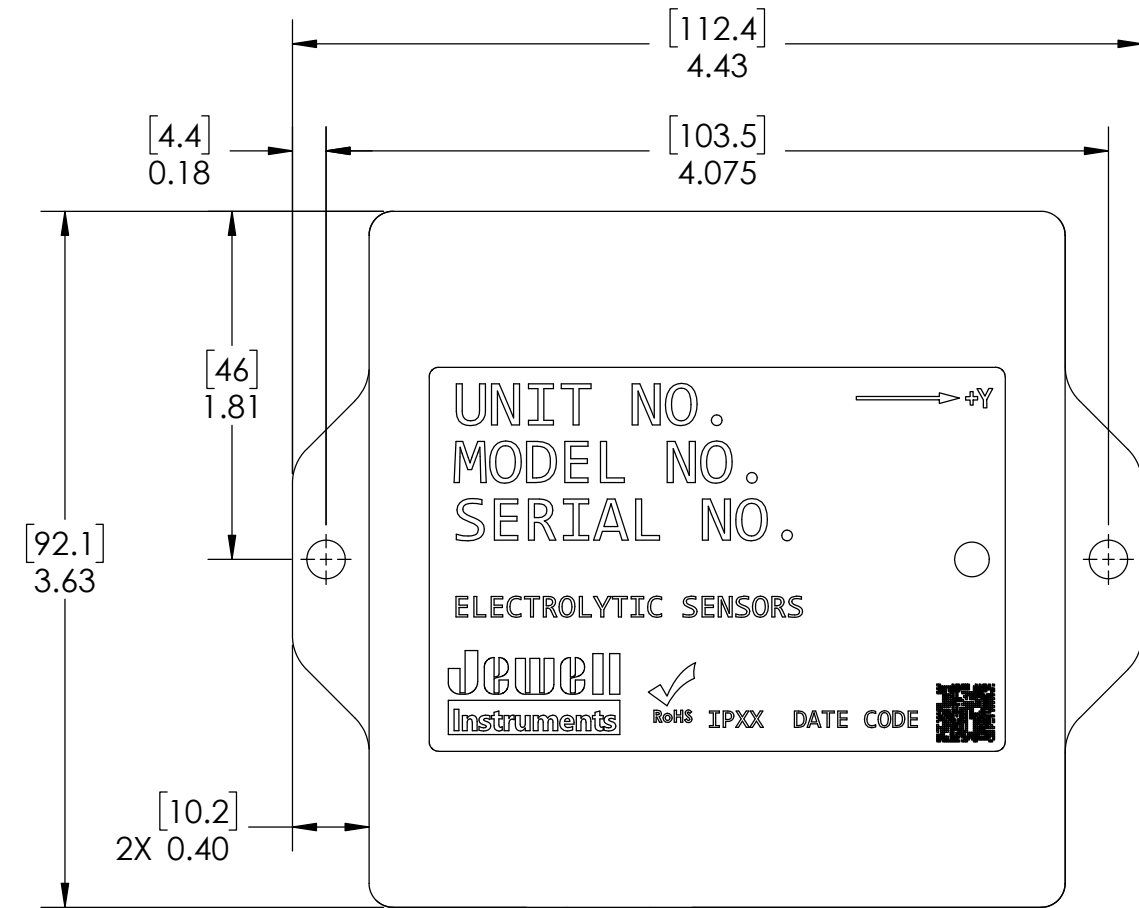
Jewell Instruments
 MANCHESTER, NH
 MODUTEC A&M EMICO

PROPRIETARY NOTICE
 THIS DRAWING IS THE PROPERTY OF JEWELL INSTRUMENTS, LLC. NEITHER THIS DOCUMENT NOR THE DATA CONTAINED HEREIN SHALL BE DISCLOSED, REPRODUCED IN WHOLE OR IN PART WITHOUT THE WRITTEN AUTHORIZATION OF JEWELL INSTRUMENTS, LLC. NO RIGHT IS GRANTED TO DISCLOSE OR SO USE ANY INFORMATION CONTAINED HEREIN. ALL RIGHTS RESERVED.

TITLE			
D820 SHALLOW WATER DIGITAL (TRANSVERSE) OUTLINE DRAWING			
DRAWING NO.			REV
OD-98822-ROHS			B
SCALE	CAGE CODE	SHEET 2 OF 3	
1:1	33005		

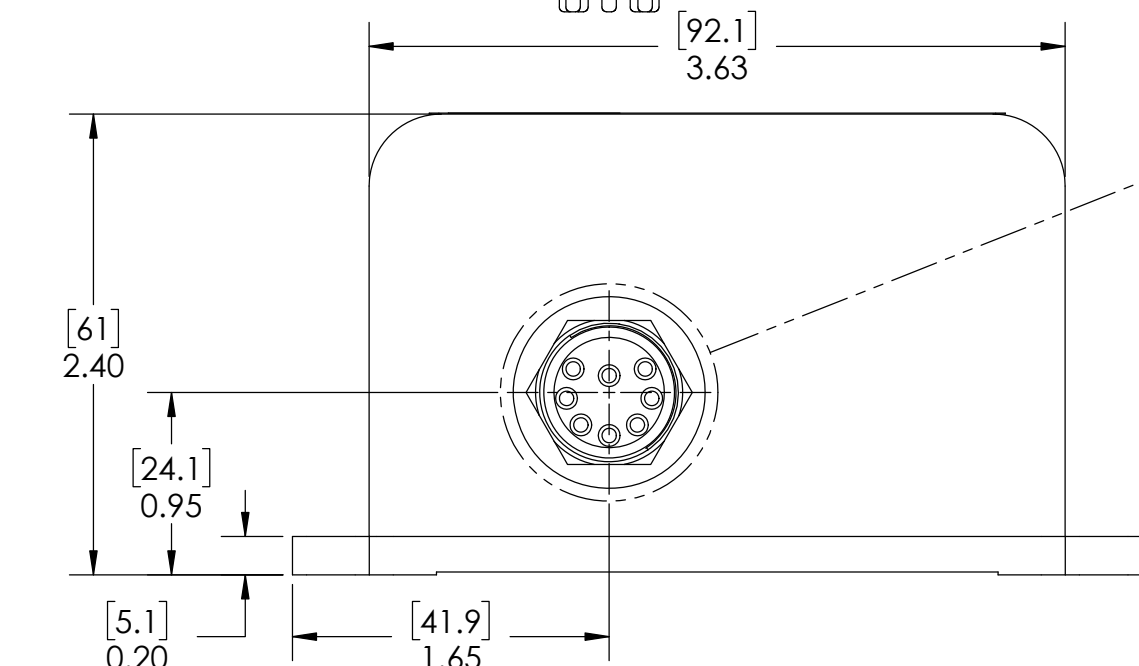
- NOTE:
 1. UNIT IS ROHS COMPLIANT.
 2. ROTATION ORIENTATION OF CONNECTOR MAY VARY FROM IMAGE.

REVISIONS					
ZONE	REV.	DESCRIPTION	DATE	ECO	DRFTSPRSN
	A	INITIAL DESIGN	8/13/2025	31773	GR
	B	UPDATED LABEL; ROTATED CONNECTOR VIEW	3/2/2026	31931	GR



RS422 OUTPUT	
PIN #	FUNCTION
1	PWR
2	GND
3	TX+
4	TX-
5	RX-
6	RX+
7	
8	

RS232 OUTPUT	
PIN #	FUNCTION
1	PWR
2	GND
3	RxD
4	
5	
6	TxD
7	
8	



APPLICATION		DIMENSIONS ARE IN INCHES AND APPLY TO PART BEFORE FINISHING	
USED ON	NEXT ASSY	TOLERANCE UNLESS SPECIFIED	
		TWO PLACE DECIMALS (00) ± .01	
		THREE PLACE DECIMALS (000) ± .005	
		ANGLES ± 1°	
		RAW MATL - COMMERCIAL STANDARD	
MATERIAL		DRAWN	DATE
		GR	6/15/2017
		CHECKER	DATE
		DWK	8/18/2025
FINISH		APPROVED	DATE
		JC	8/18/2025

Jewell Instruments
 MANCHESTER, NH
 MODUTEC A&M EMICO

PROPRIETARY NOTICE
 THIS DRAWING IS THE PROPERTY OF JEWELL INSTRUMENTS, LLC. NEITHER THIS DOCUMENT NOR THE DATA CONTAINED HEREIN SHALL BE DISCLOSED, REPRODUCED IN WHOLE OR IN PART WITHOUT THE WRITTEN AUTHORIZATION OF JEWELL INSTRUMENTS, LLC. NO RIGHT IS GRANTED TO DISCLOSE OR SO USE ANY INFORMATION CONTAINED HEREIN. ALL RIGHTS RESERVED.

TITLE	
D820 SHALLOW WATER DIGITAL (LONGITUDINAL) OUTLINE DRAWING	
DRAWING NO.	REV
OD-98822-ROHS	B
SCALE	CAGE CODE
1:1	33005
SHEET 3 OF 3	