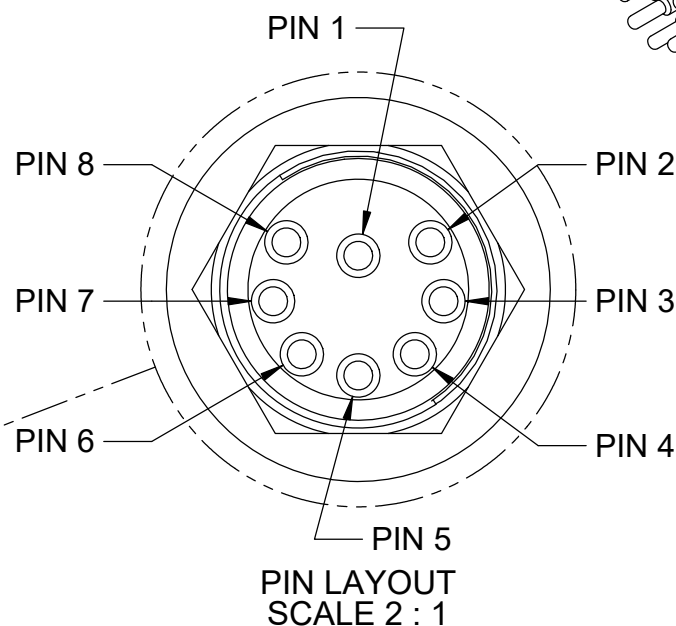
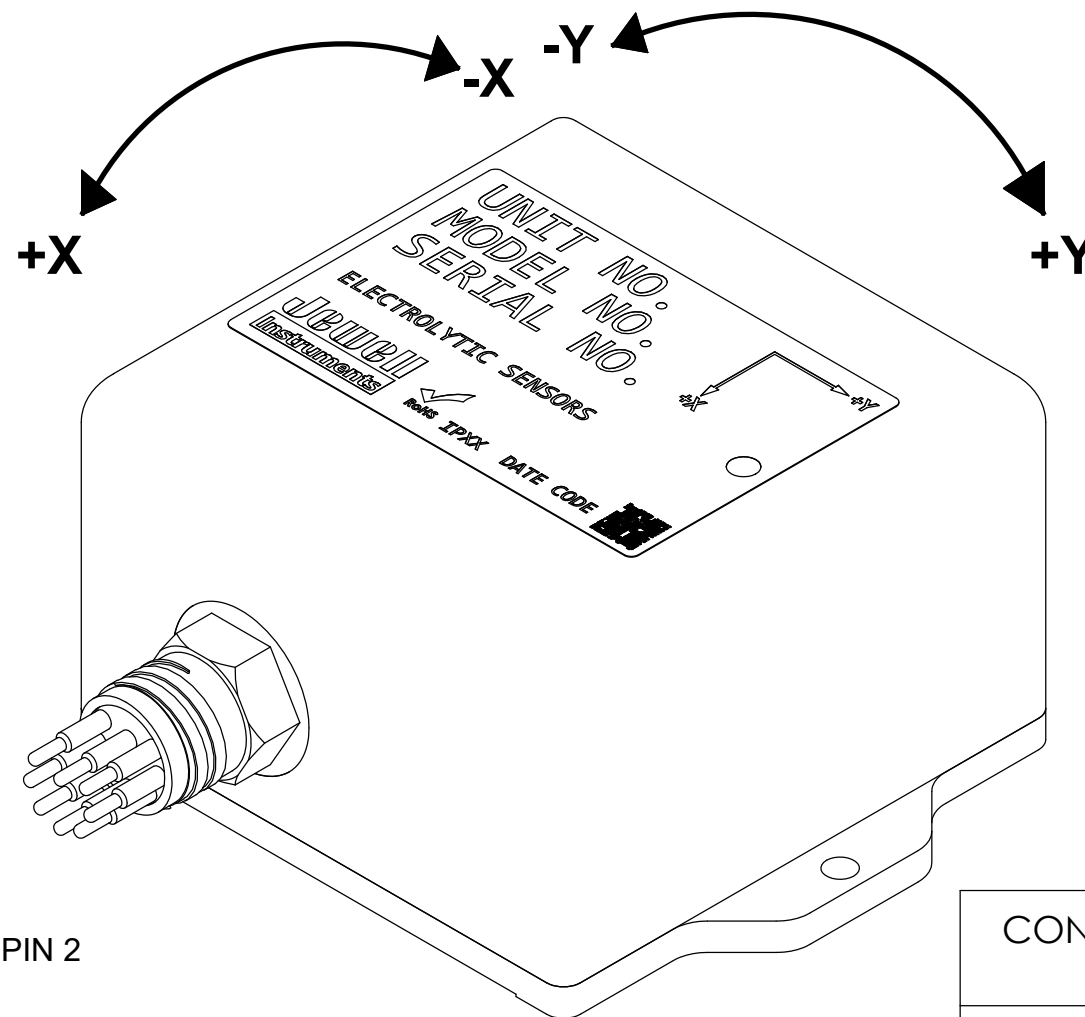
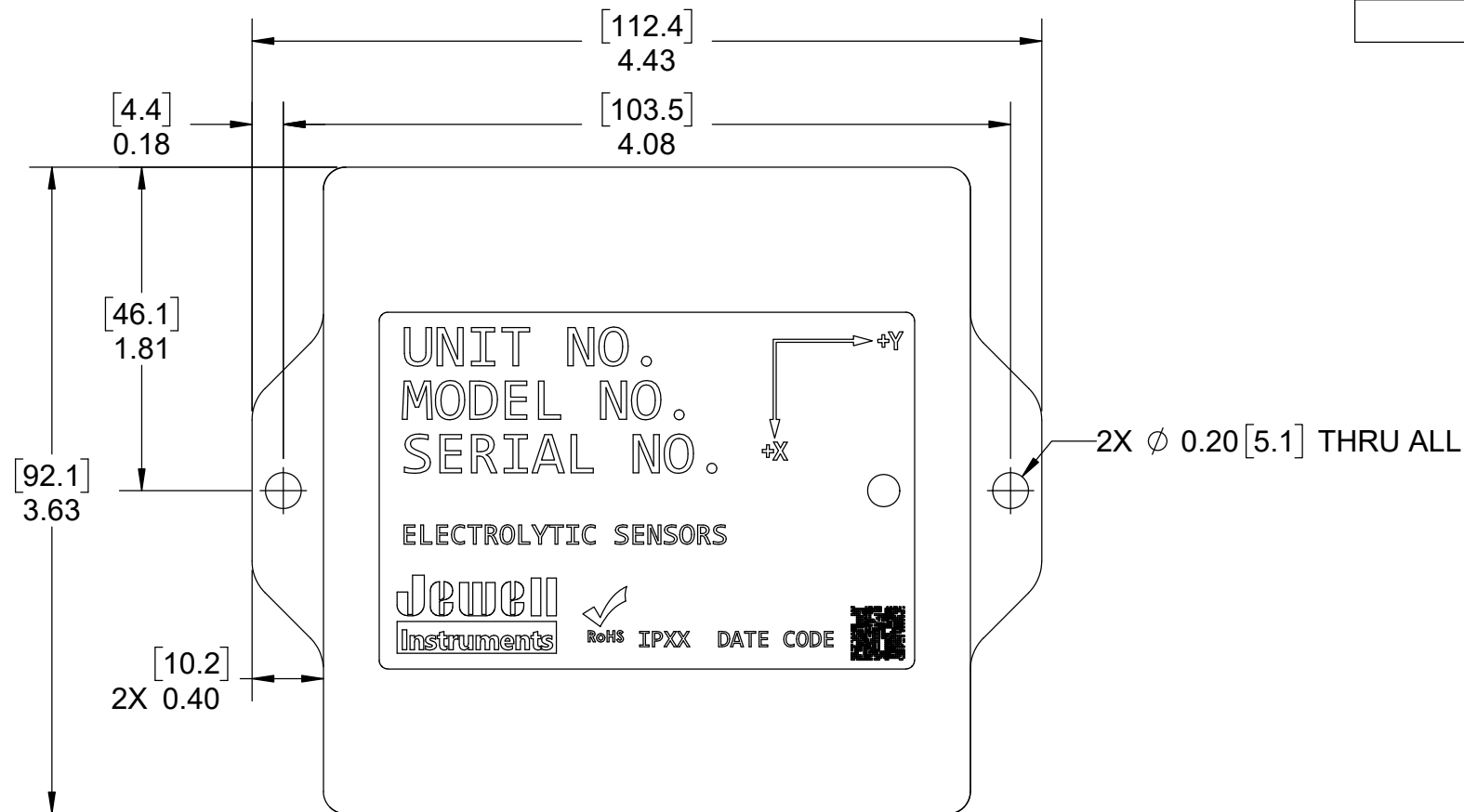


NOTE:

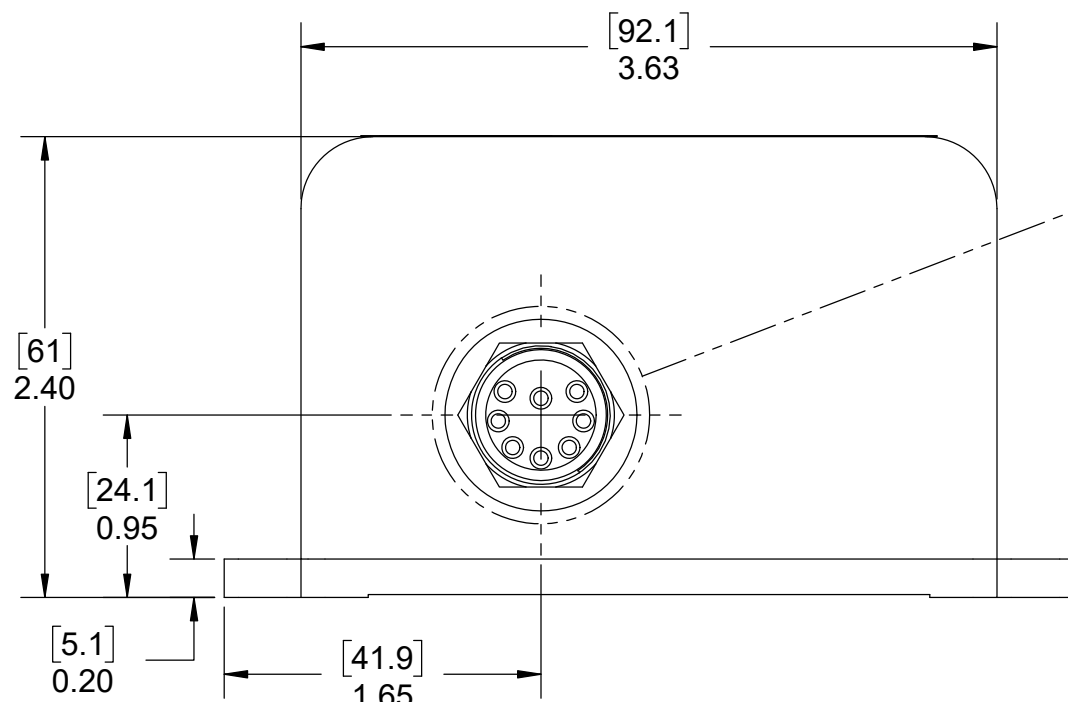
- UNIT IS ROHS COMPLIANT.
- ROTATION ORIENTATION OF CONNECTOR MAY VARY FROM IMAGE.

REVISIONS					
ZONE	REV.	DESCRIPTION	DATE	ECO	DRFTSPRSN
	A	RELEASE TO PRODUCTION	8/1/2025	31765	GR
	B	UPDATED LABEL; CORRECTED Y AXIS CALL OUT	3/3/2026	31931	GR



CONNECTOR PINOUT (BIAXIAL)

PIN	FUNCTION
1	X RETURN
2	Y RETURN
3	X PWR
4	Y PWR
5	TEMP RTRN
6	TEMP EX
7	N/C
8	N/C



APPLICATION		DIMENSIONS ARE IN INCHES AND APPLY TO PART BEFORE FINISHING	
USED ON	NEXT ASSY	TOLERANCE UNLESS SPECIFIED	
		TWO PLACE DECIMALS (00) ± .01	
		THREE PLACE DECIMALS (000) ± .005	
		ANGLES ± 1°	
		RAW MATL - COMMERCIAL STANDARD	
MATERIAL		DRAWN	DATE
		GR	8/1/2025
		CHECKER	DATE
		DK	8/25/2025
FINISH		APPROVED	DATE
		JC	8/25/2025



MANCHESTER, NH  
MODUTEC A&M EMICO

PROPRIETARY NOTICE  
THIS DRAWING IS THE PROPERTY OF JEWELL INSTRUMENTS, LLC. NEITHER THIS DOCUMENT NOR THE DATA CONTAINED HEREIN SHALL BE DISCLOSED, REPRODUCED IN WHOLE OR IN PART WITHOUT THE WRITTEN AUTHORIZATION OF JEWELL INSTRUMENTS, LLC. NO RIGHT IS GRANTED TO DISCLOSE OR SO USE ANY INFORMATION CONTAINED HEREIN. ALL RIGHTS RESERVED.

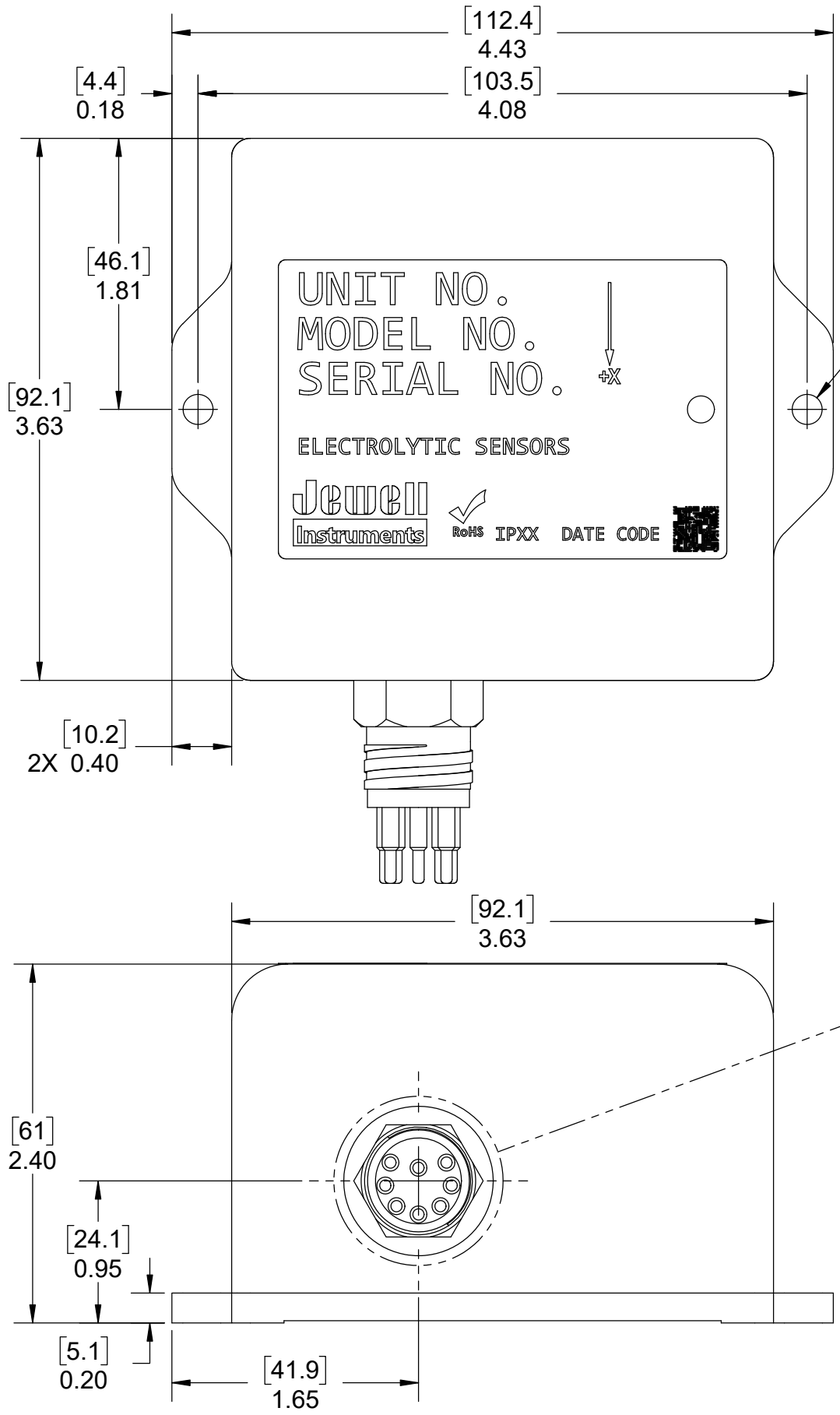
TITLE  
**C820 BIAXIAL OUTLINE DRAWING ROHS**

DRAWING NO.  
**OD-98820-ROHS**

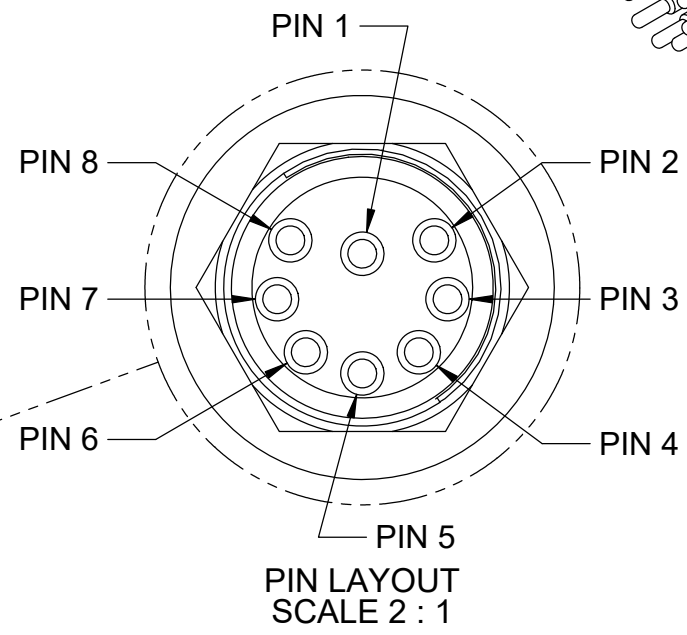
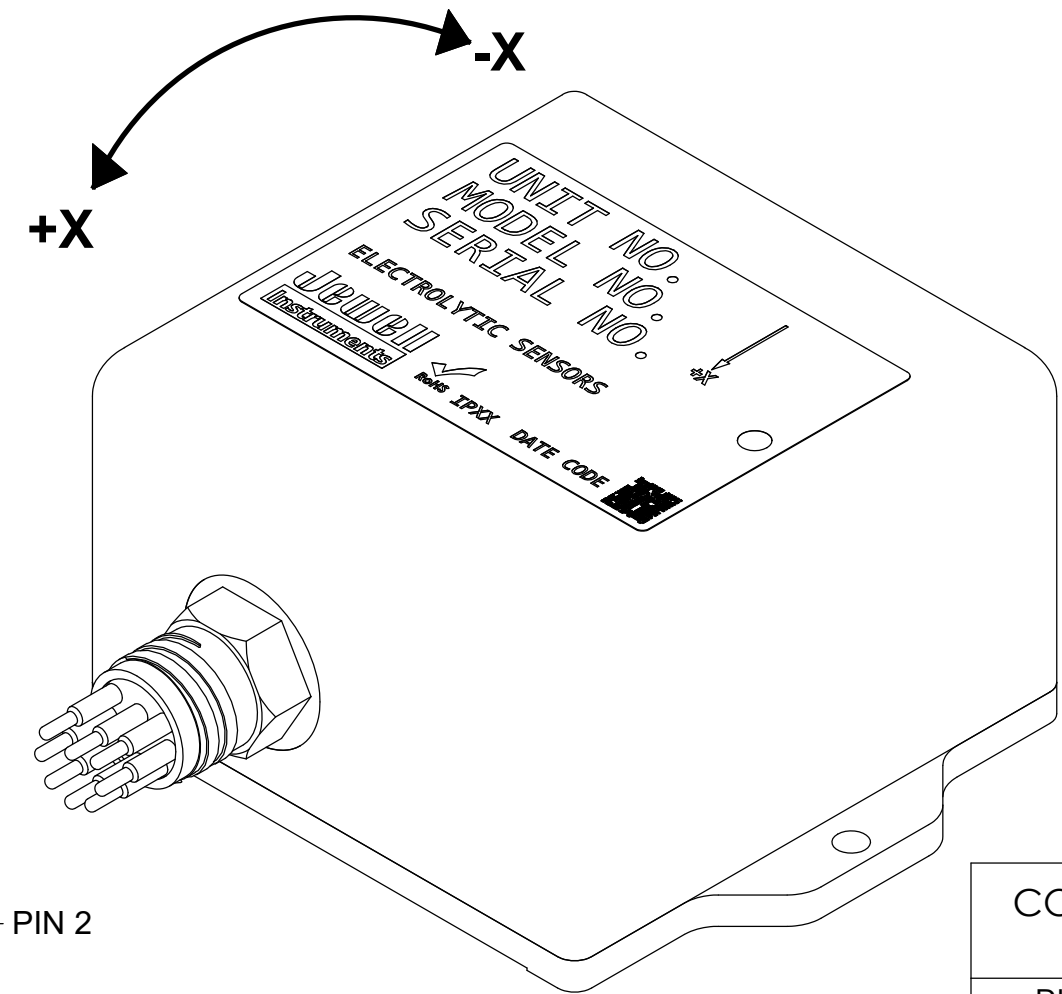
SCALE: 1:1 CAGE CODE: 33005 SHEET 1 OF 3

- NOTE:  
 1. UNIT IS ROHS COMPLIANT.  
 2. ROTATION ORIENTATION OF CONNECTOR MAY VARY FROM IMAGE.

REVISIONS					
ZONE	REV.	DESCRIPTION	DATE	ECO	DRFTSPRSN
	A	RELEASE TO PRODUCTION	8/1/2025	31765	GR
	B	UPDATED LABEL; CORRECTED Y AXIS CALL OUT	3/3/2026	31931	GR



2X  $\phi$  0.20 [5.1] THRU ALL



CONNECTOR PINOUT (TRANSVERSE)	
PIN	FUNCTION
1	X RETURN
2	N/C
3	X PWR
4	N/C
5	TEMP RTRN
6	TEMP EX
7	N/C
8	N/C

APPLICATION		DIMENSIONS ARE IN INCHES AND APPLY TO PART BEFORE FINISHING	
USED ON	NEXT ASSY	TOLERANCE UNLESS SPECIFIED	
		TWO PLACE DECIMALS ( .00 ) $\pm$ .01	
		THREE PLACE DECIMALS ( .000 ) $\pm$ .005	
		ANGLES $\pm$ 1°	
		RAW MATL - COMMERCIAL STANDARD	
MATERIAL		DRAWN	DATE
		GR	8/1/2025
		CHECKER	DATE
		DK	8/25/2025
FINISH		APPROVED	DATE
		JC	8/25/2025

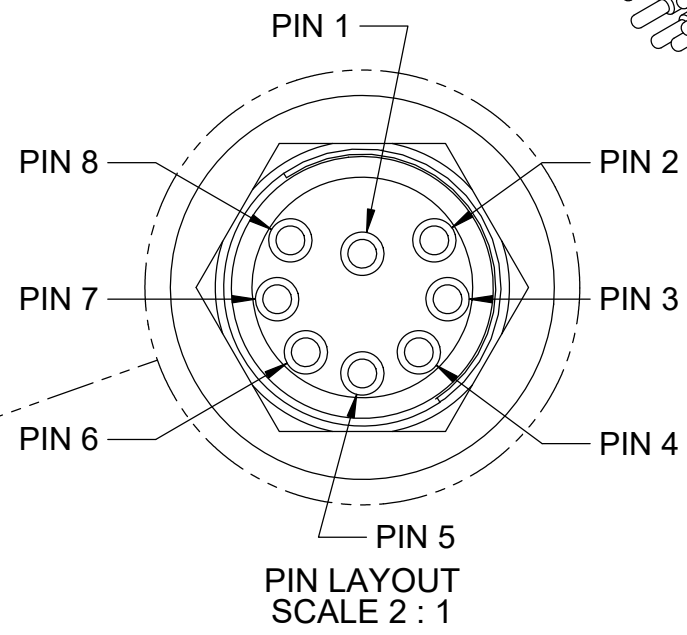
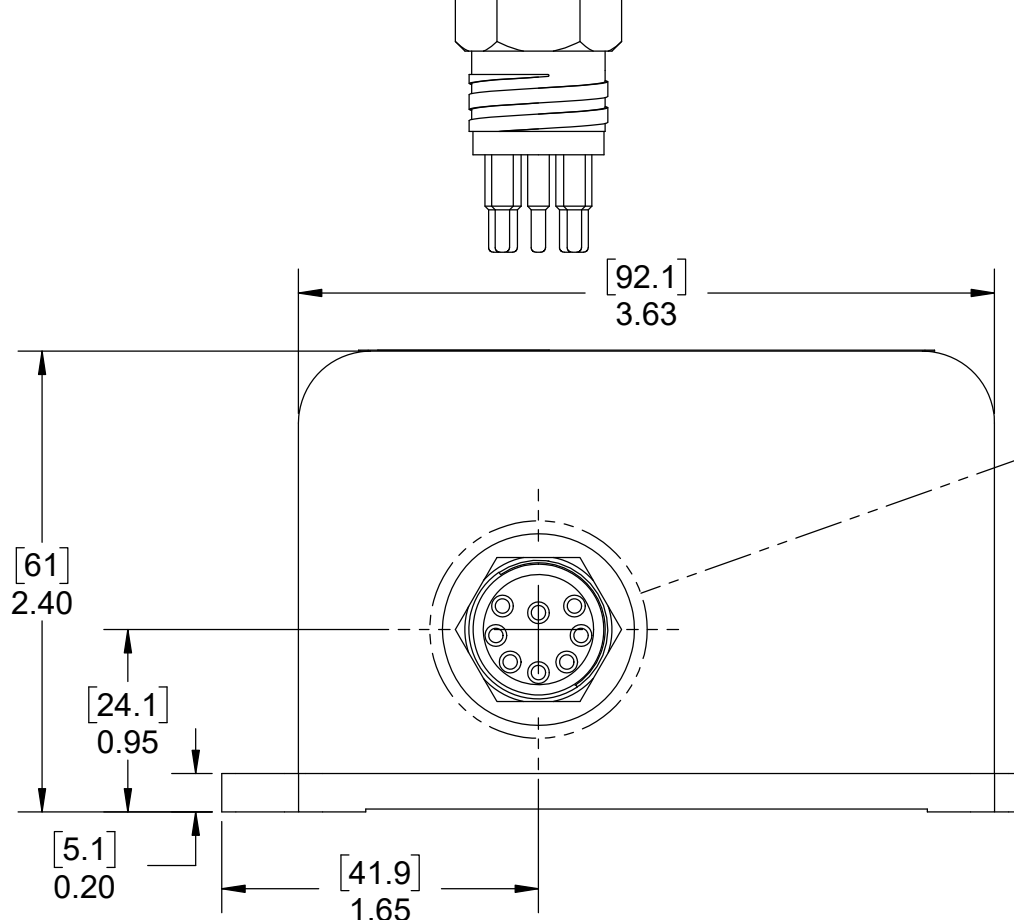
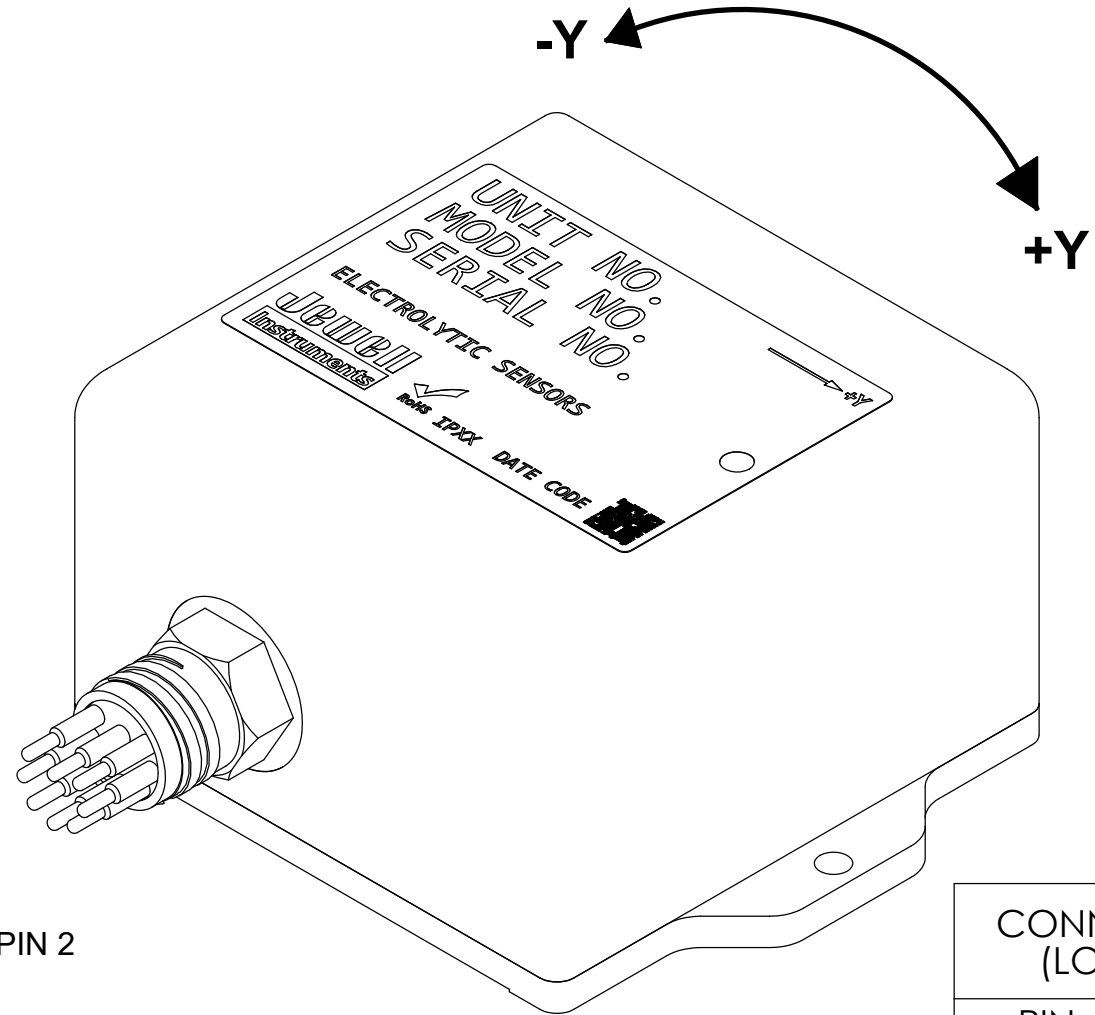
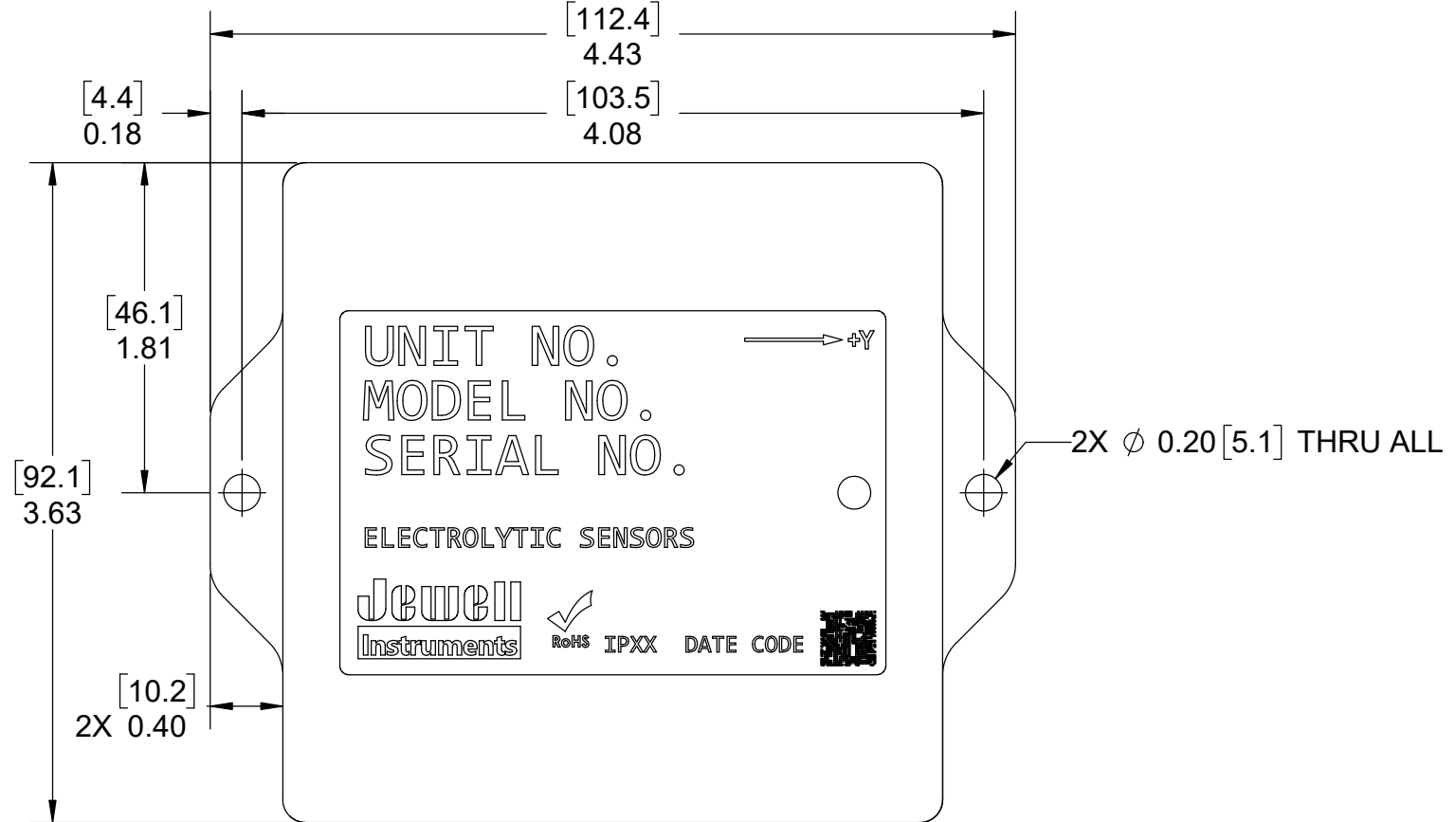
**Jewell Instruments**  
 MANCHESTER, NH  
 MODUTEC A&M EMICO

PROPRIETARY NOTICE  
 THIS DRAWING IS THE PROPERTY OF JEWELL INSTRUMENTS, LLC. NEITHER THIS DOCUMENT NOR THE DATA CONTAINED HEREIN SHALL BE DISCLOSED, REPRODUCED IN WHOLE OR IN PART WITHOUT THE WRITTEN AUTHORIZATION OF JEWELL INSTRUMENTS, LLC. NO RIGHT IS GRANTED TO DISCLOSE OR SO USE ANY INFORMATION CONTAINED HEREIN. ALL RIGHTS RESERVED.

TITLE		
C820 TRANSVERSE OUTLINE DRAWING ROHS		
DRAWING NO.	REV	
OD-98820-ROHS	B	
SCALE	CAGE CODE	SHEET 2 OF 3
1:1	33005	

- NOTE:  
 1. UNIT IS ROHS COMPLIANT.  
 2. ROTATION ORIENTATION OF CONNECTOR MAY VARY FROM IMAGE.

REVISIONS					
ZONE	REV.	DESCRIPTION	DATE	ECO	DRFTSPRSN
	A	RELEASE TO PRODUCTION	8/1/2025	31765	GR
	B	UPDATED LABEL; CORRECTED Y AXIS CALL OUT	3/3/2026	31931	GR



CONNECTOR PINOUT (LONGITUDINAL)	
PIN	FUNCTION
1	N/C
2	Y RETURN
3	N/C
4	Y PWR
5	TEMP RTRN
6	TEMP EX
7	N/C
8	N/C

APPLICATION		DIMENSIONS ARE IN INCHES AND APPLY TO PART BEFORE FINISHING	
USED ON	NEXT ASSY	TOLERANCE UNLESS SPECIFIED	
		TWO PLACE DECIMALS (00) ± .01	
		THREE PLACE DECIMALS (000) ± .005	
		ANGLES ± 1°	
		RAW MATL - COMMERCIAL STANDARD	
MATERIAL		DRAWN	DATE
		GR	8/1/2025
		CHECKER	DATE
		DK	8/25/2025
FINISH		APPROVED	DATE
		JC	8/25/2025

**Jewell Instruments**  
 MANCHESTER, NH  
 MODUTEC A&M EMICO

PROPRIETARY NOTICE  
 THIS DRAWING IS THE PROPERTY OF JEWELL INSTRUMENTS, LLC. NEITHER THIS DOCUMENT NOR THE DATA CONTAINED HEREIN SHALL BE DISCLOSED, REPRODUCED IN WHOLE OR IN PART WITHOUT THE WRITTEN AUTHORIZATION OF JEWELL INSTRUMENTS, LLC. NO RIGHT IS GRANTED TO DISCLOSE OR SO USE ANY INFORMATION CONTAINED HEREIN. ALL RIGHTS RESERVED.

TITLE		
C820 LONGITUDINAL OUTLINE DRAWING ROHS		
DRAWING NO.	REV	
OD-98820-ROHS	B	
SCALE	CAGE CODE	SHEET 3 OF 3
1:1	33005	