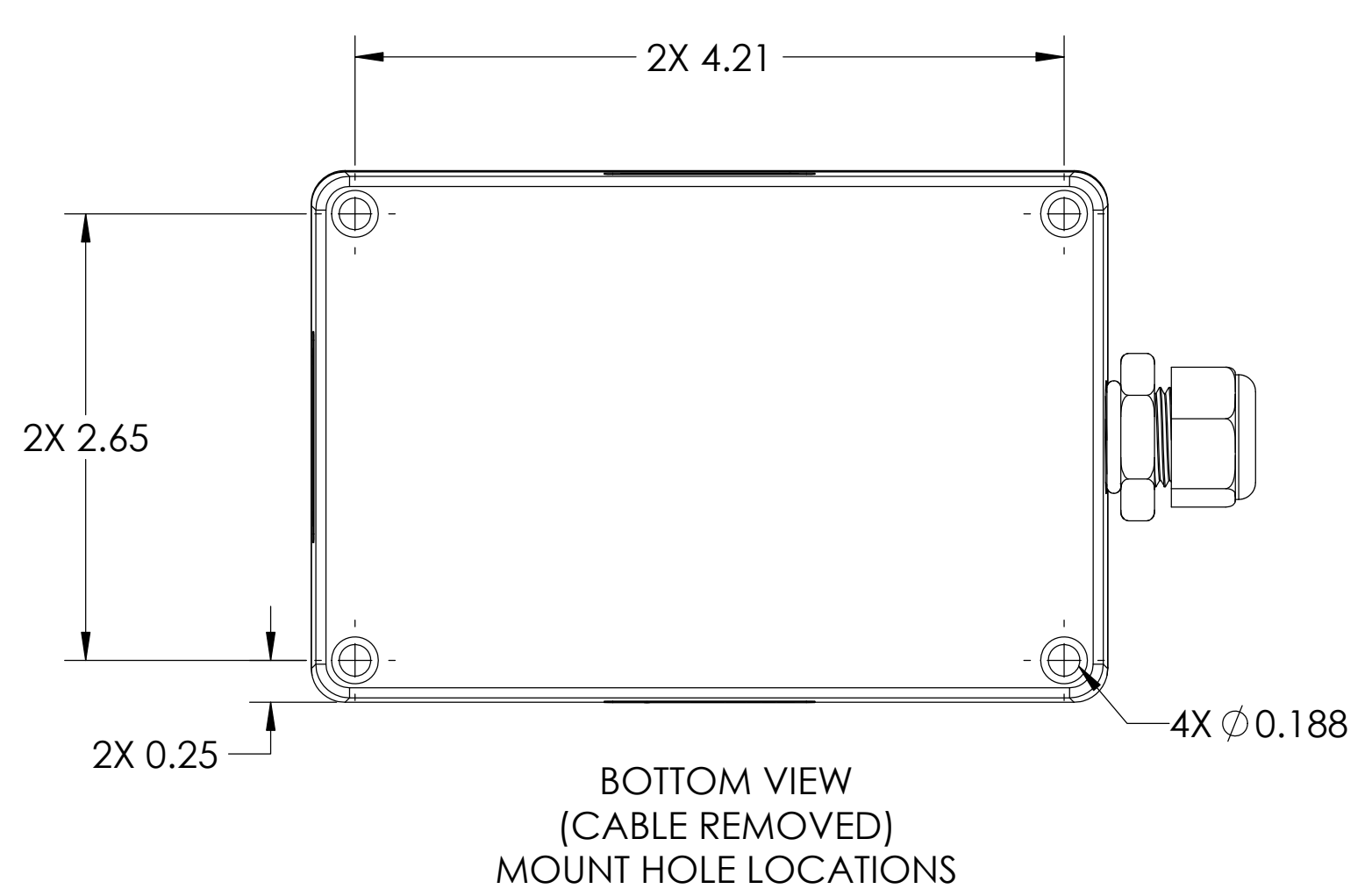
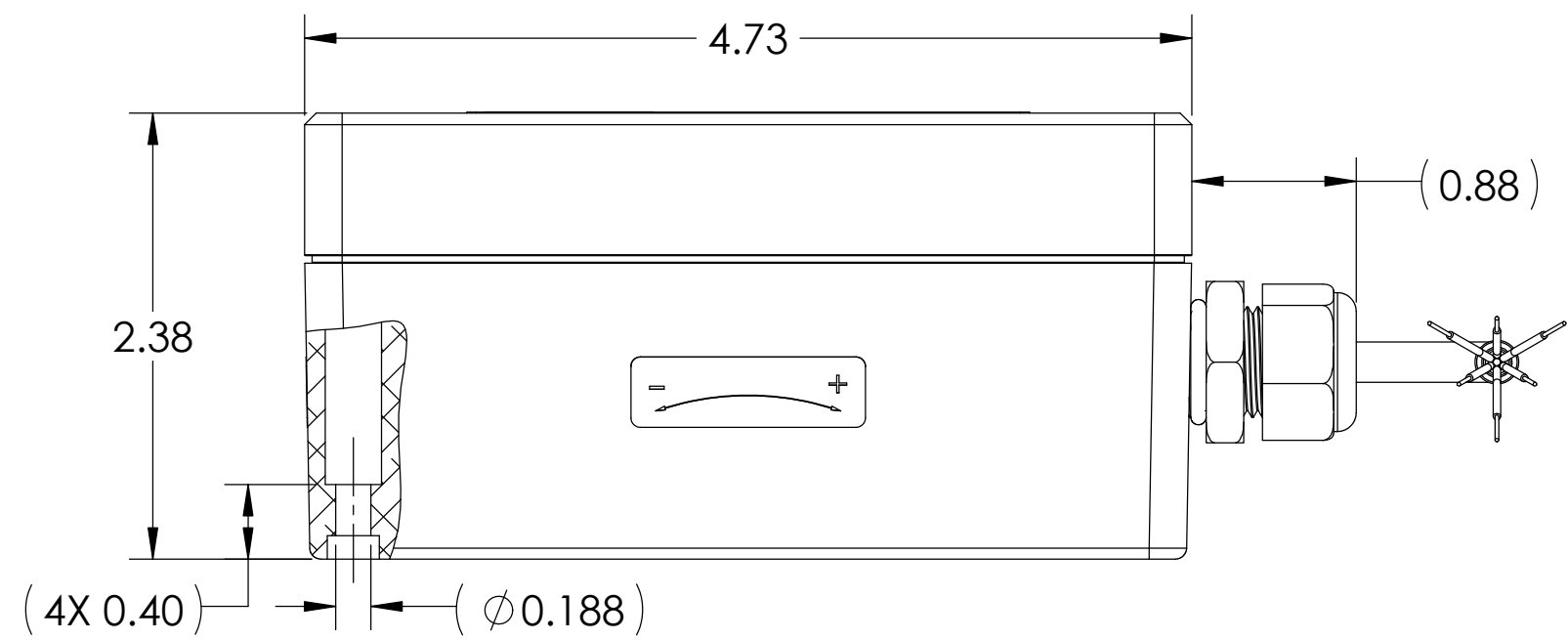
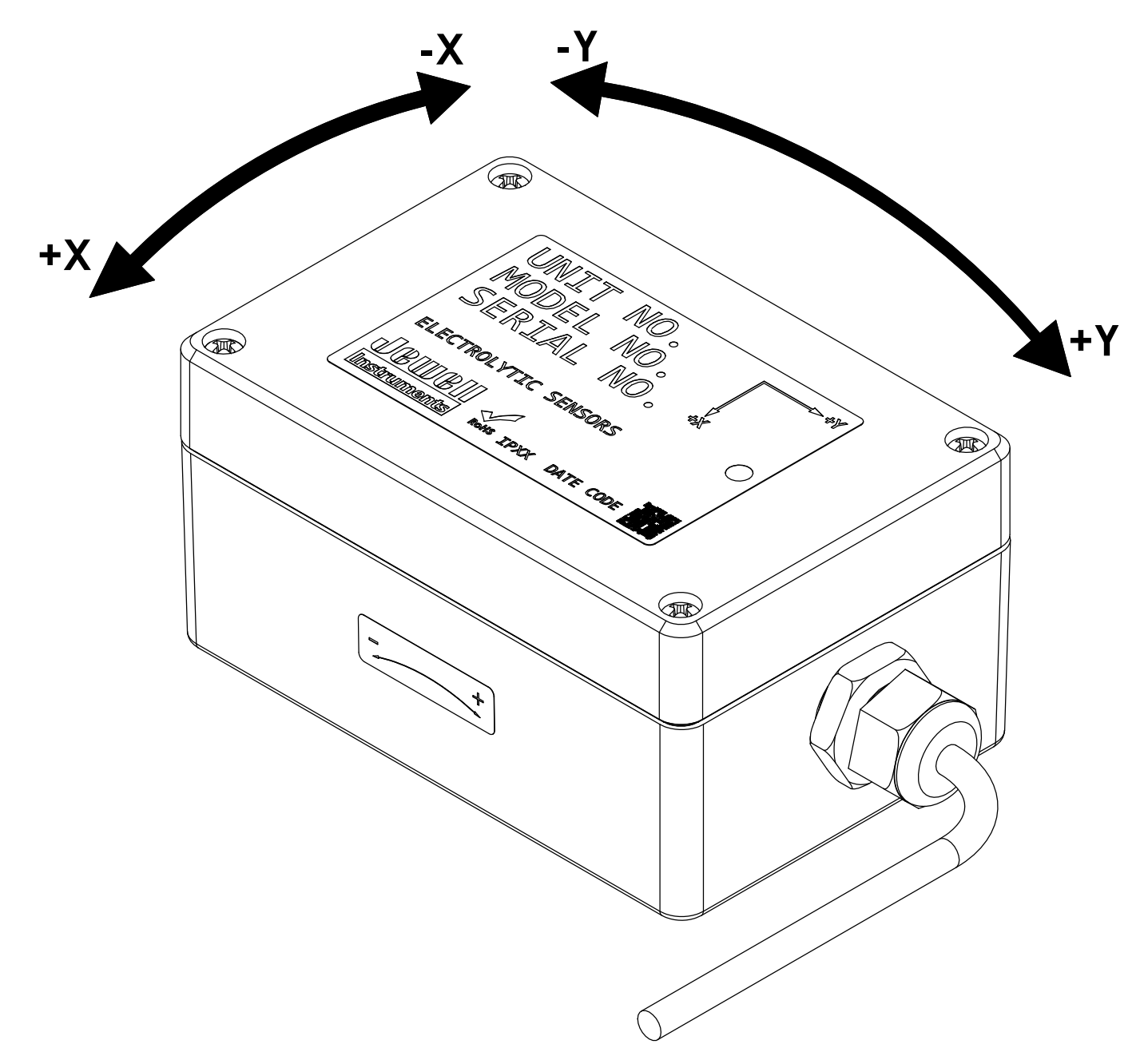
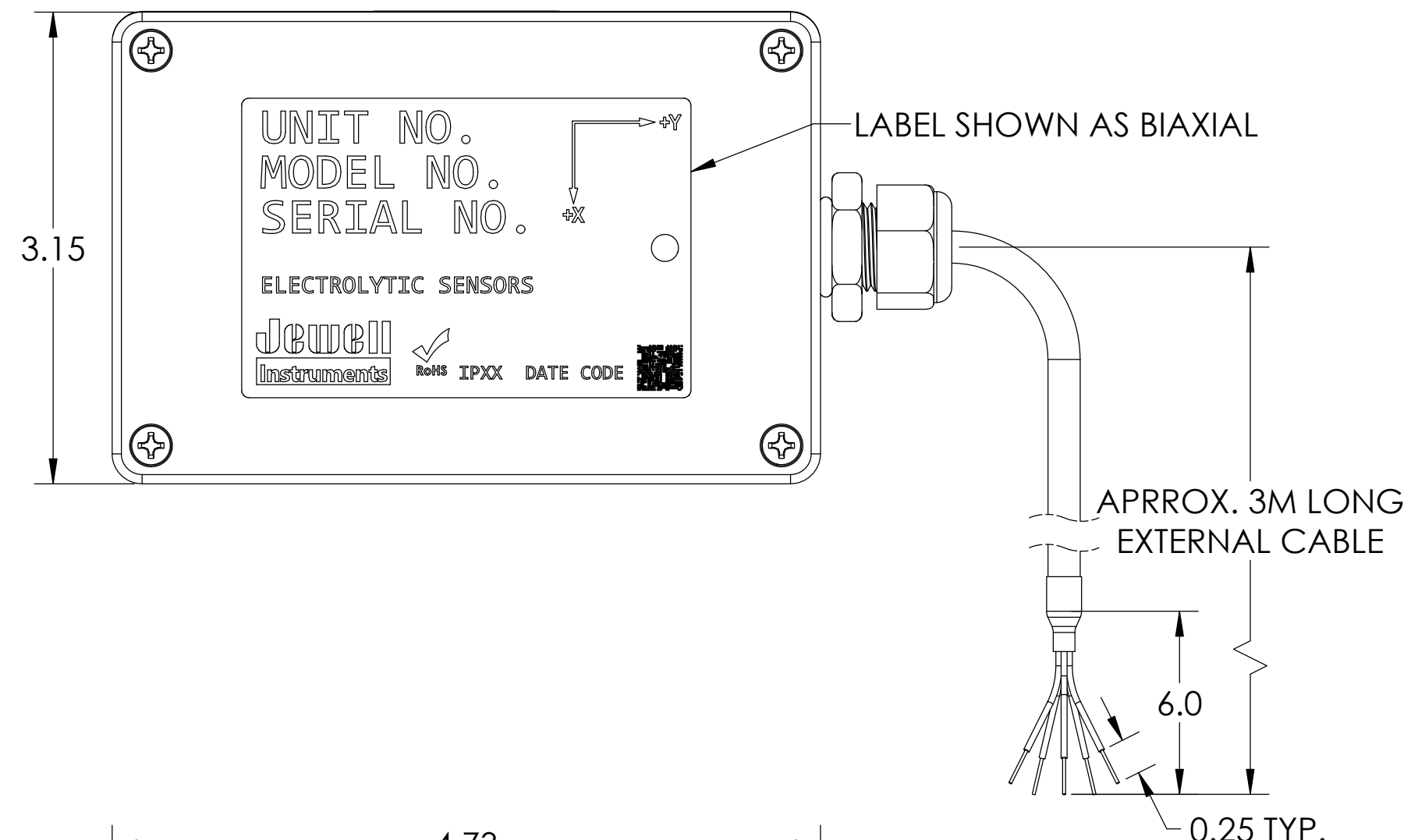


REVISIONS					
ZONE	REV.	DESCRIPTION	DATE	ECO	DRFTSPRSN
	A	RELEASE TO PRODUCTION	6/8/2026	32002	GR



SINGLE AXIS PIN OUT	
WIRE COLOR	FUNCTION
RED	LOOP PWR (V+)
BLACK	LOOP RTRN (GND)
BLUE	TEMP EXCITATION
YELLOW	TEMP OUT
CLEAR	DRAIN

BIAXIAL WIRE CHART	
WIRE COLOR	FUNCTION
RED	X LOOP PWR (V+)
BLACK	X LOOP RTRN (GND)
GREEN	Y LOOP PWR (V+)
WHITE	Y LOOP RTRN (GND)
BLUE	TEMP EXCITATION
YELLOW	TEMP OUT
CLEAR	DRAIN

APPLICATION	DIMENSIONS ARE IN INCHES AND APPLY TO PART BEFORE FINISHING	 <b>MANCHESTER, NH</b> <b>TRIPLETT MODUTEC A&amp;M EMICO</b>	TITLE	<b>C801 ROHS OUTLINE DRAWING</b>		
USED ON	NEXT ASSY		TOLERANCE UNLESS SPECIFIED	DRAWING NO.	<b>OD-98008-ROHS</b>	
MATERIAL	FINISH	<small>TWO PLACE DECIMALS (0.00) ± 0.01</small> <small>THREE PLACE DECIMALS (0.000) ± 0.005</small> <small>ANGLES ± 1°</small> <small>RAW MATL. - COMMERCIAL STANDARD</small>	DATE	6/8/2026	REV	A
DRAWN		CHECKER	DATE	6/10/2026	SCALE	1:1
APPROVED		JC	DATE	6/10/2026	CAGE CODE	33005
		<small>THIS DRAWING IS THE PROPERTY OF JEWELL INSTRUMENTS, LLC. NEITHER THIS DOCUMENT NOR THE DATA CONTAINED HEREIN SHALL BE DISCLOSED, REPRODUCED IN WHOLE OR IN PART WITHOUT THE WRITTEN AUTHORIZATION OF JEWELL INSTRUMENTS, LLC. NO RIGHT IS GRANTED TO DISCLOSE OR SO USE ANY INFORMATION CONTAINED HEREIN. ALL RIGHTS RESERVED.</small>		SHEET	1 OF 1	