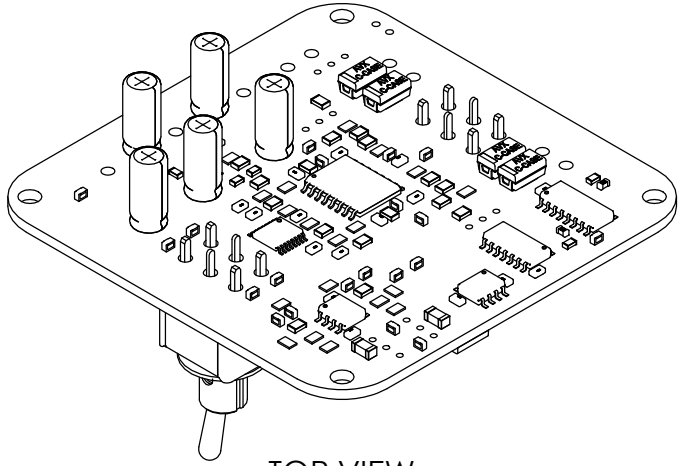
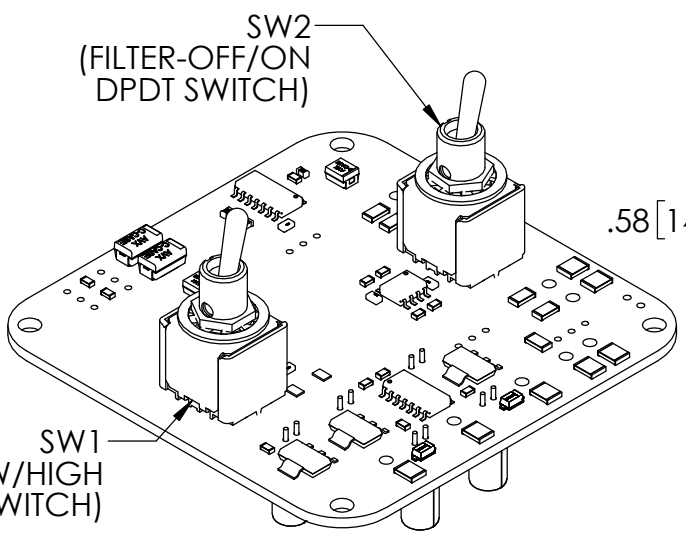
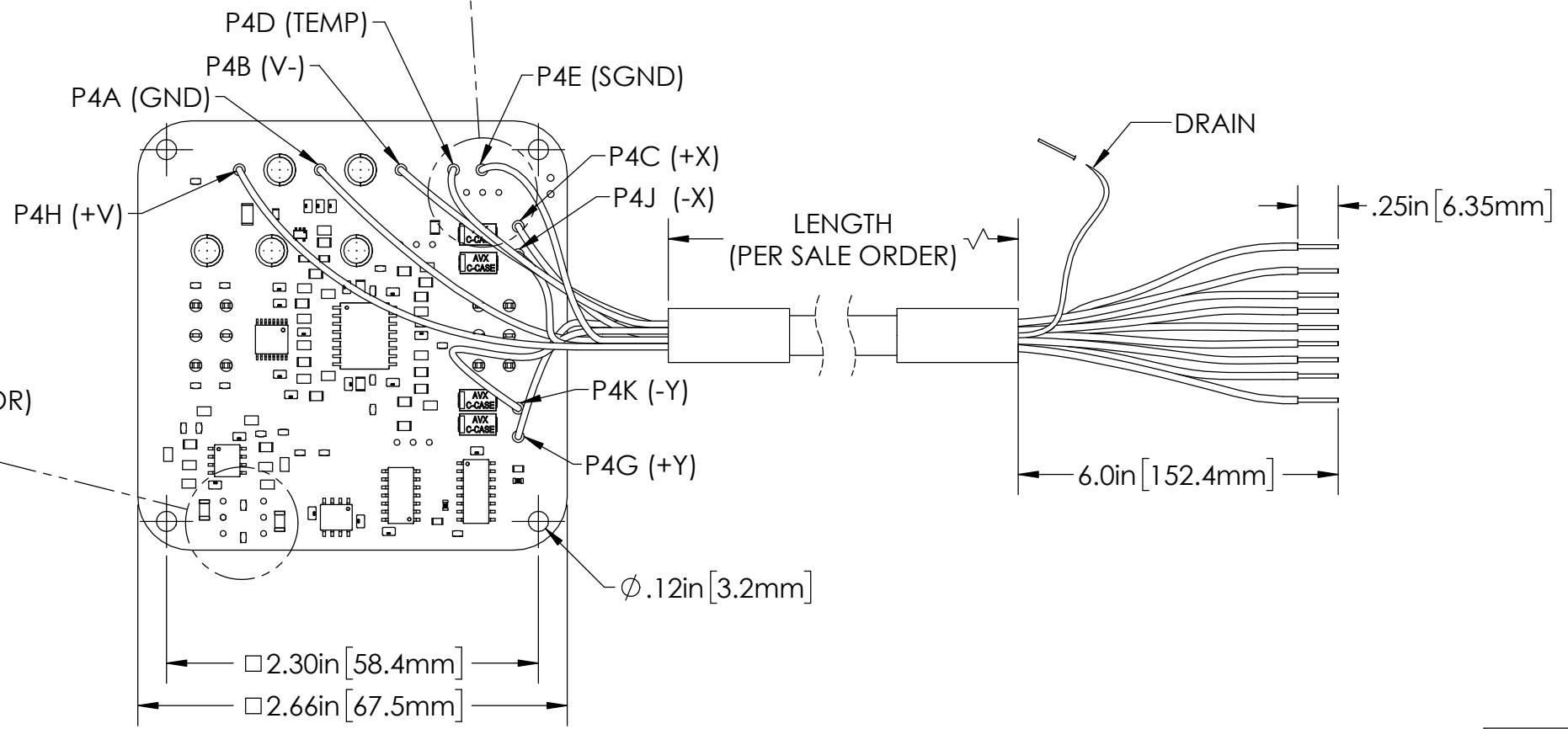
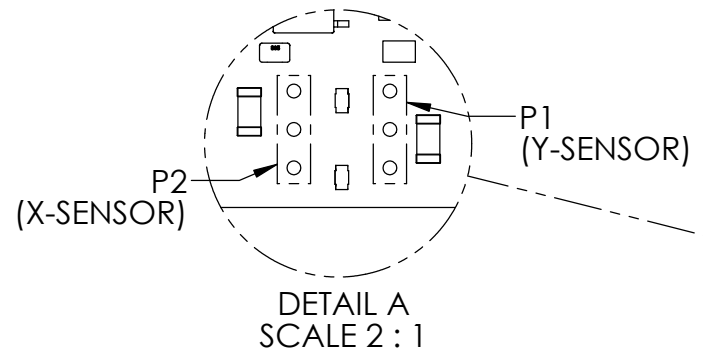
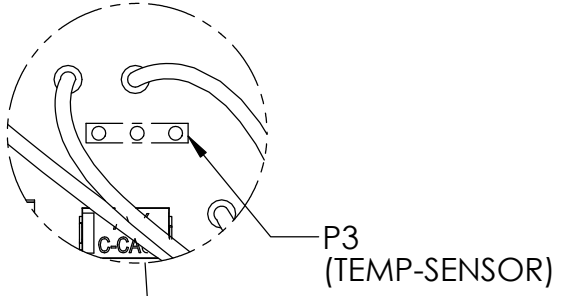


8 7 6 5 4 3 2 1

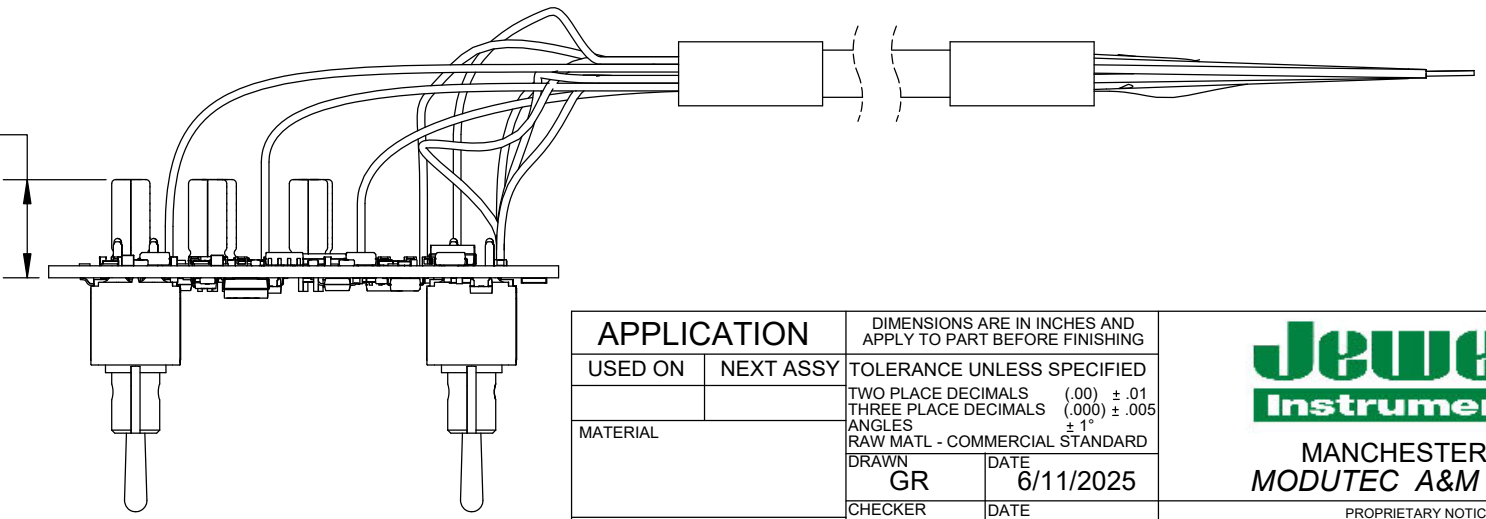
REVISIONS					
ZONE	REV.	DESCRIPTION	DATE	ECO	DRFTSPRSN
	1	INITIAL DESIGN	6/11/2025		GR
	2	ADDED P1, P2, P3 LOCATIONS TO PRINT	3/2/2026		GR



DETAIL B
SCALE 2:1



.58 [14.7]



PCA	WIRE COLOR	FUNCTION
P4A	BLACK	PWR GND
P4B	VIOLET	-VDC
P4C	GREEN	+X
P4D	YELLOW	TEMP OUT
P4E	WHITE	SIG GND
P4G	BLUE	+Y
P4H	RED	+VDC
P4J	GRAY	-X
P4K	BROWN	-Y

APPLICATION		DIMENSIONS ARE IN INCHES AND APPLY TO PART BEFORE FINISHING	
USED ON	NEXT ASSY	TOLERANCE UNLESS SPECIFIED	
		TWO PLACE DECIMALS (.00) ± .01	
		THREE PLACE DECIMALS (.000) ± .005	
		ANGLES ± 1°	
		RAW MATL - COMMERCIAL STANDARD	
MATERIAL		DRAWN	DATE
		GR	6/11/2025
		CHECKER	DATE
FINISH		APPROVED	DATE

Jewell Instruments

MANCHESTER, NH
MODUTEC A&M EMICO

PROPRIETARY NOTICE
THIS DRAWING IS THE PROPERTY OF JEWELL INSTRUMENTS, LLC. NEITHER THIS DOCUMENT NOR THE DATA CONTAINED HEREIN SHALL BE DISCLOSED, REPRODUCED IN WHOLE OR IN PART WITHOUT THE WRITTEN AUTHORIZATION OF JEWELL INSTRUMENTS, LLC. NO RIGHT IS GRANTED TO DISCLOSE OR SO USE ANY INFORMATION CONTAINED HEREIN. ALL RIGHTS RESERVED.

TITLE	
±12V INPUT DUAL CHANNEL SIGNAL CONDITIONING CARD OUTLINE DWG	
DRAWING NO.	REV
OD-600-00017-ROHS	2
SCALE	CAGE CODE
1:1	33005
SHEET 1 OF 1	