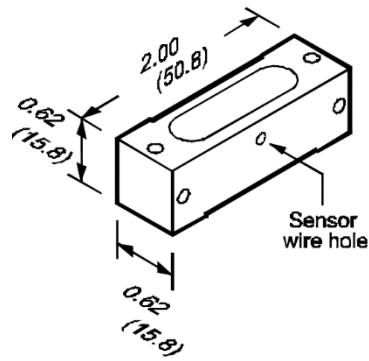
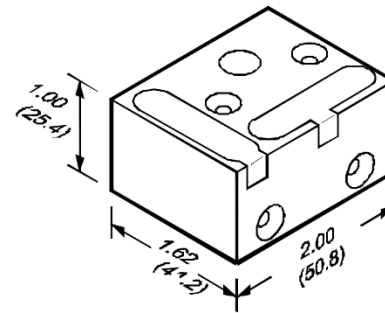


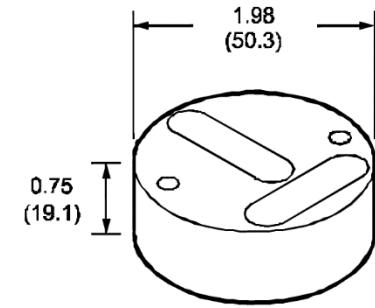
-1326



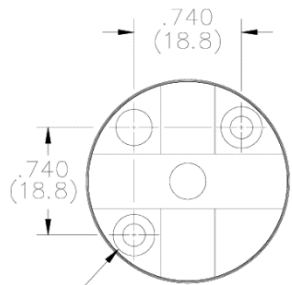
-1172



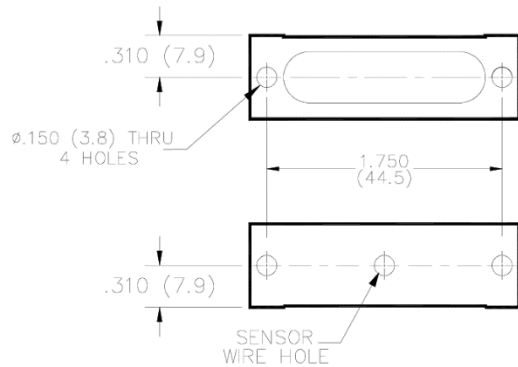
-1150



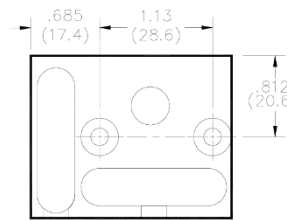
-1129



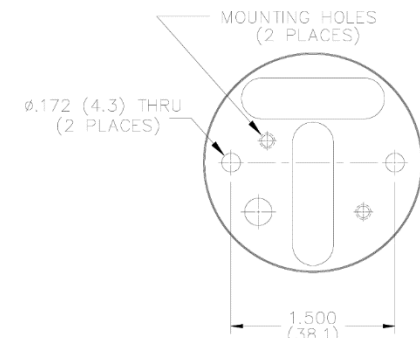
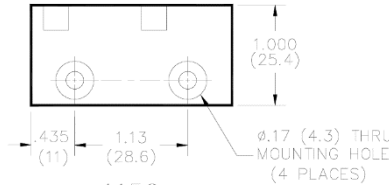
-1326



-1172




-1150



-1129

NOT TO SCALE
Dimensions in inches (mm)

 Jewell Instruments MANCHESTER, NH TRIPLETT MODUTEC A&M EMICO		TITLE	
		Miniature Tilt Sensors Outline Drawing	
<small>PROPRIETARY NOTICE THIS DRAWING IS THE PROPERTY OF JEWELL INSTRUMENTS, LLC. NEITHER THIS DOCUMENT NOR THE DATA CONTAINED HEREIN SHALL BE DISCLOSED, REPRODUCED IN WHOLE OR IN PART WITHOUT THE WRITTEN AUTHORIZATION OF JEWELL INSTRUMENTS, LLC. NO RIGHT IS GRANTED TO DISCLOSE OR SO USE ANY INFORMATION CONTAINED HEREIN. ALL RIGHTS RESERVED.</small>		SCALE	REV. A
CAGE CODE	33005	SHEET 1 OF 1	