



Modutec MC1 movements are technically advanced and offer outstanding features not found in other 250° movements. Their unusually small size and their refined taut-band suspension means high performance in the area of accuracy, tracking, and repeatability. Their unique design includes shock limiters and vibration stops which combined with optional Fluidyne® viscous damping, gives them exceptional durability and stability in difficult environments.

Mounting is usually by means of three tapped brass standoffs which are swaged to either the front or the back of the movement, as ordered, permitting installation within its 1.25" O.D.

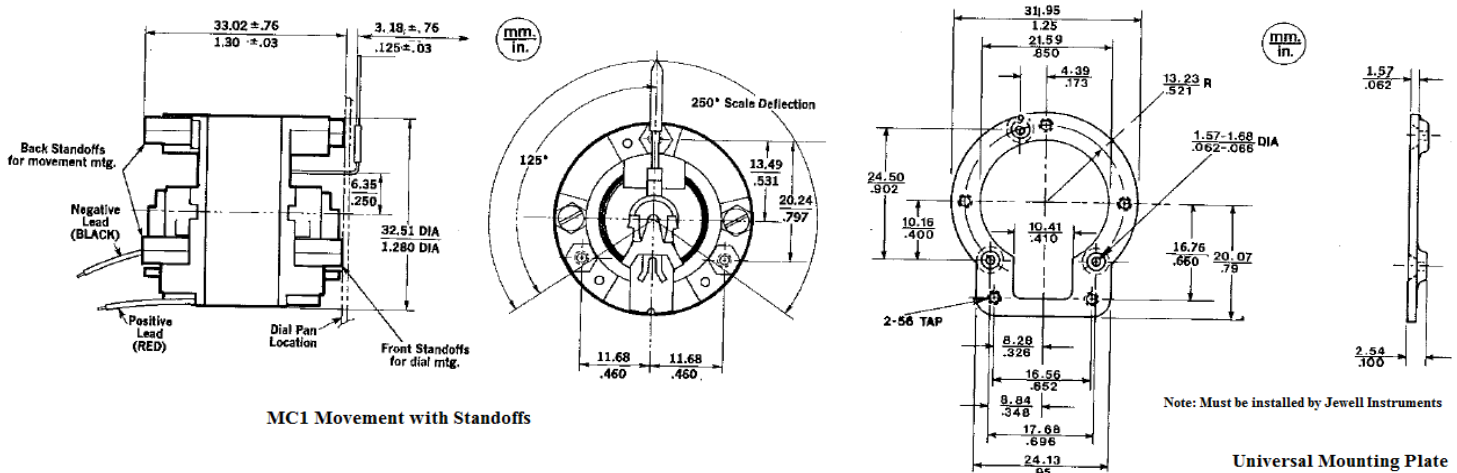
Dials can be mounted to standoffs on the front of the movement; however, MC1 movements are usually ordered with a universal mounting plate (see drawing) installed. This not only serves as a dial mount but also as a dial mount but also coordinates with the mounting requirements of many domestic and imported movements. Note that front standoffs are not available when the universal mounting plate is installed.

Standard movements come without front and back dust caps. Either or both will be installed when specified on order.

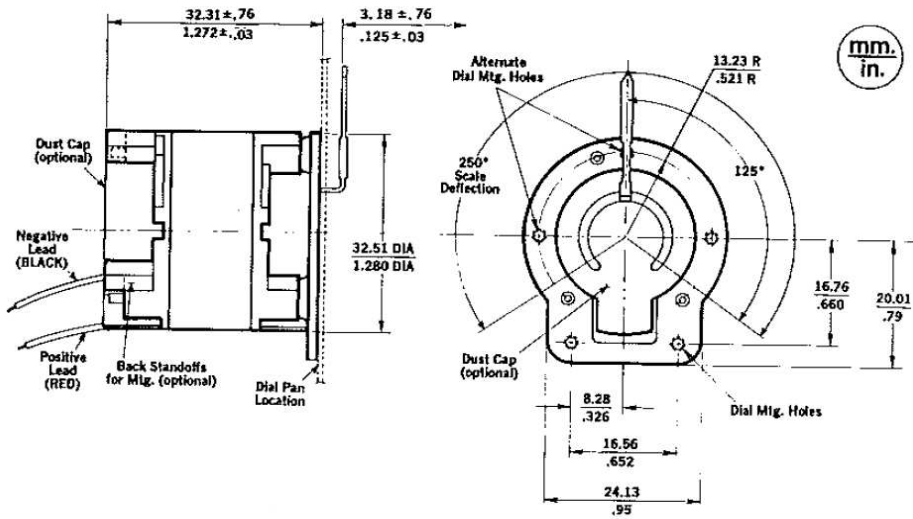
Specifications

Accuracy	±2% of full scale standard, other tolerances available
Tracking	±2% of full scale standard, other tolerances available
Maximum Pointer Length	2" from pivot center

Outline Drawing - MC1 Series



Outline Drawing - MC1 Series Cont.



MC1 Movement with Universal Mounting Plate Installed

How to Order

Please refer to the MC1 Series Catalog.

Panel Meter Sales Contact Information

Toll Free 800-638-3771

meters@jewellinstruments.com

www.jewellinstruments.com

©2014 Jewell Instruments LLC | 850 Perimeter Road | Manchester, NH 03103 | 800-638-3771