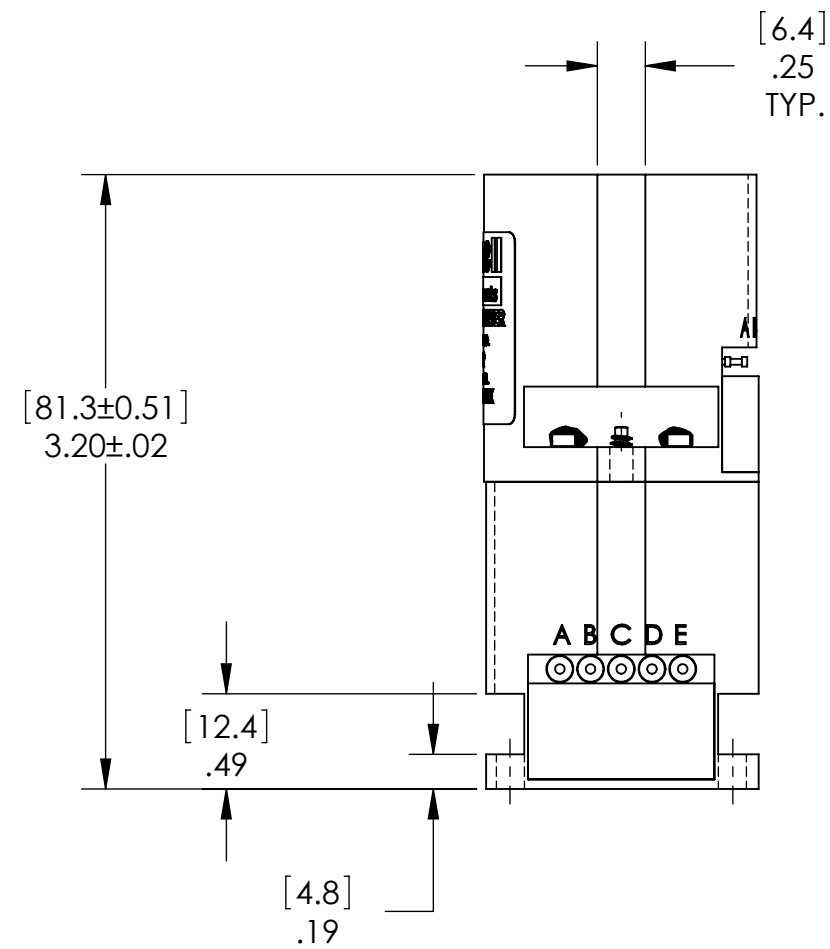
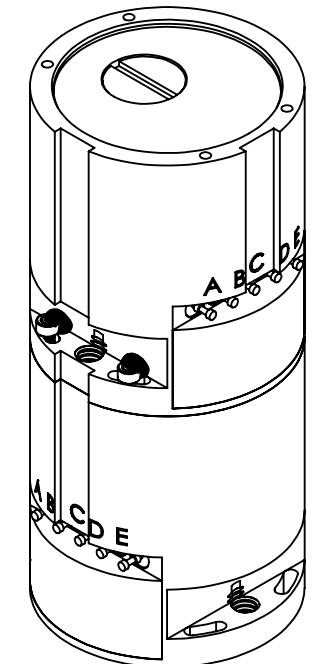
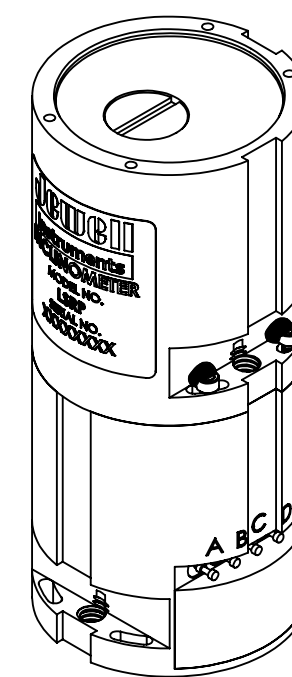
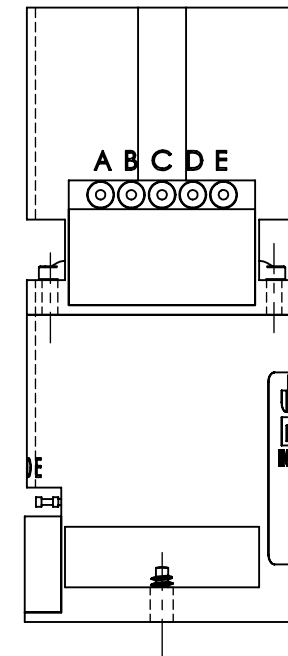
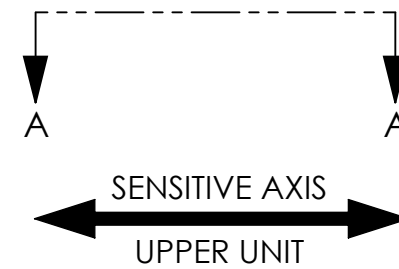
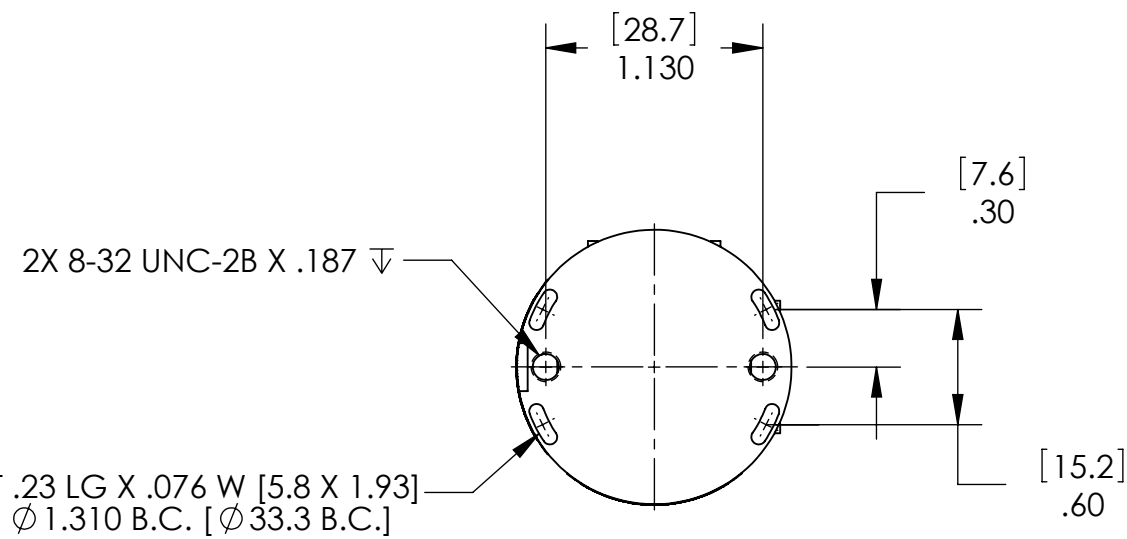


NOTES:

- FOR INCLINOMETER PERFORMANCE REFER TO THE INDIVIDUAL UNIT SPECIFICATIONS. STACKED PAIR SENSITIVE AXIS ALIGNMENT SHALL BE PERPENDICULAR WITHIN 1°.

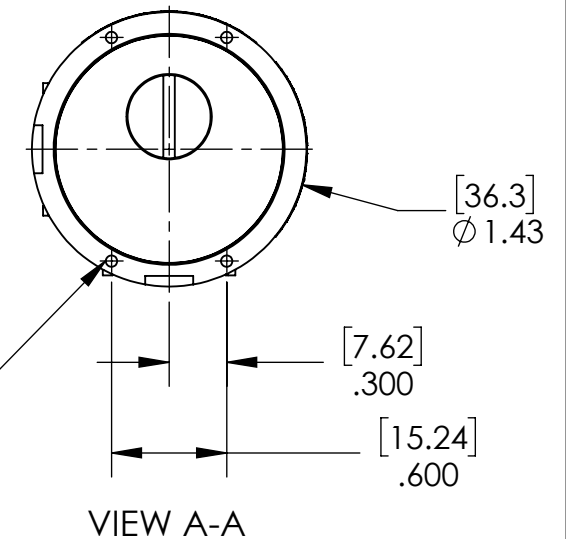


SENSITIVE AXIS
← LOWER UNIT



PIN	FUNCTION
A	+VDC POWER
B	PWR & SIG COMMON
C	-VDC POWER
D	SIG OUT
E	SELF TEST

4X 1-72 UNF X .187 ∇ MAX
Ø 1.310 B.C. [Ø 33.3 B.C.]



DIMENSIONS UNITS ARE: [mm] INCH TOLERANCE UNLESS SPECIFIED TWO PLACE DECIMALS .00 ± .01 THREE PLACE DECIMALS .000 ± .005 ANGLES ± 1°		 MANCHESTER, NH TRIPLETT MODUTEC A&M EMICO	TITLE INCLINOMETER, STACKED, LSRP BIAxIAL	
			DRAWING NO. OD03550532-000	REV. C
SCALE DO NOT SCALE	CAGE CODE 33005	SHEET 1 OF 1		

PROPRIETARY NOTICE
THIS DRAWING IS THE PROPERTY OF JEWELL INSTRUMENTS, LLC. NEITHER THIS DOCUMENT NOR THE DATA CONTAINED HEREIN SHALL BE DISCLOSED, REPRODUCED IN WHOLE OR IN PART WITHOUT THE WRITTEN AUTHORIZATION OF JEWELL INSTRUMENTS, LLC. NO RIGHT IS GRANTED TO DISCLOSE OR SO USE ANY INFORMATION CONTAINED HEREIN. ALL RIGHTS RESERVED.