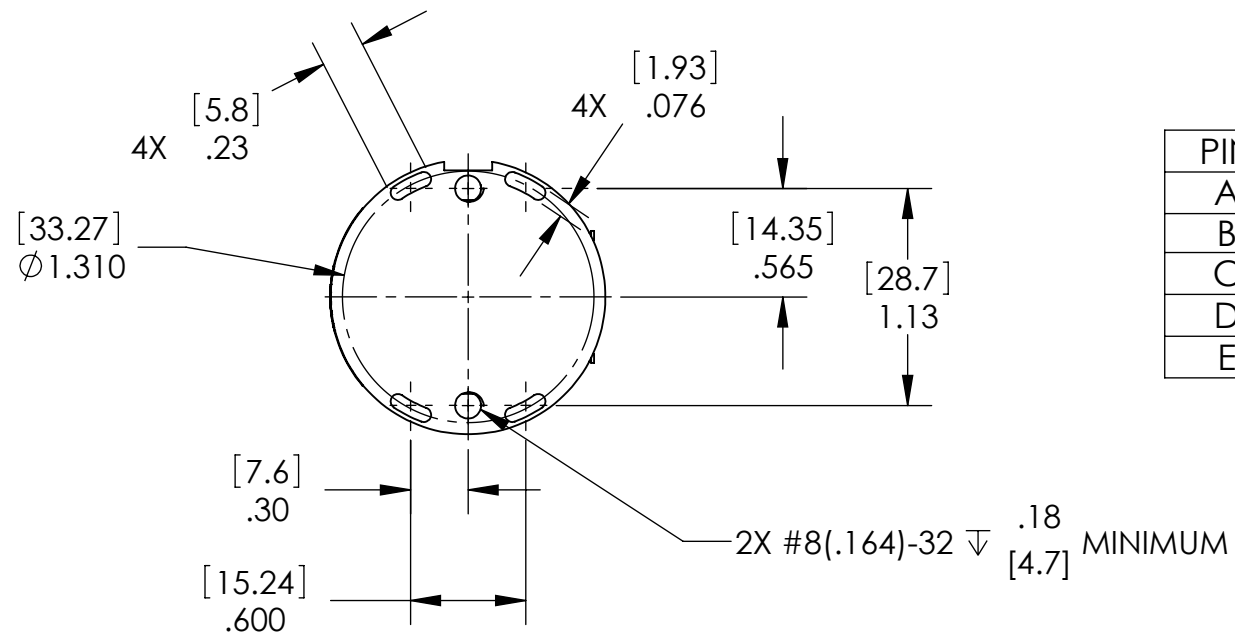


NOTES:

1. DIMENSIONS SHOWN IN BRACKETS ARE IN MILLIMETERS, TOLERANCES ARE: .X=±0.25; .XX=±0.13.
2. DIRECTION OF SENSITIVE AXIS IS NOT MARKED ON UNIT & IS SHOWN FOR REFERENCE ONLY.
3. NAMEPLATE CONTAINS THE FOLLOWING:
JEWELL INSTRUMENTS LLC, UNIT TYPE, AND SERIAL NUMBER.
4. PERFORMANCE SPECIFICATIONS PER SP-60149.



PIN	FUNCTION
A	+15V
B	PWR & SIG COMMON
C	-15V
D	SIGNAL HIGH
E	SELF TEST

ENVELOPE DRAWING

DIMENSIONS ARE IN INCHES AND APPLY TO PART BEFORE FINISHING		 JEWELL INSTRUMENTS, LLC. MANCHESTER NEW HAMPSHIRE	
THIS DRAWING COVERS A PROPRIETARY ITEM AND IS PROPERTY OF JEWELL INSTRUMENTS, LLC. THIS DRAWING IS NOT TO BE COPIED OR USED WITHOUT PERMISSION.			
TOLERANCE UNLESS SPECIFIED		TITLE	
TWO PLACE DECIMALS (.00) ± .01		SERVO INCLINOMETER	
THREE PLACE DECIMALS (.000) ± .005		LSRP SERIES	
ANGLES ± 1°		DRAWING NO.	
RAW MATL - COMMERCIAL STANDARD		OD02550088-000	
		REV	
		H	
SCALE	1:1	EPA#	CAGE CODE
			33005
			SHEET 1 OF 1