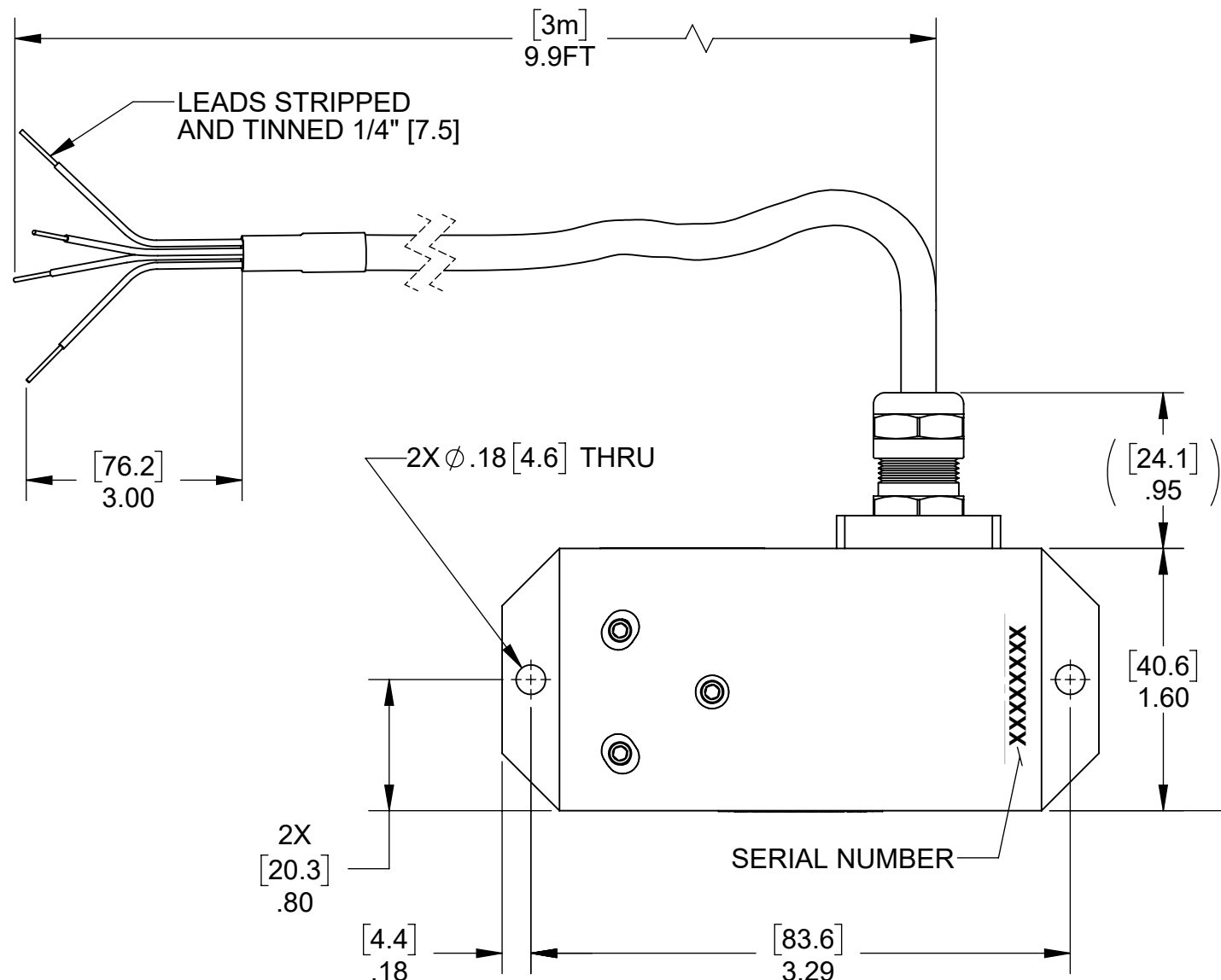



CABLE REMOVED FOR CLARITY



WIRE COLOR	FUNCTION	
	SINGLE SUPPLY OR 4-20mA OUTPUT	DUAL SUPPLY
RED	+VDC	+VDC
WHITE	PWR & SIG COM	PWR & SIG COM
BLACK	N/C	-VDC
GREEN	SIG OUT	SIG OUT

NOTES:

- DATUM **- A -** AND **- B -** ARE DEFINED AS REFERENCE SURFACES.
- UNITS: [mm] INCH

DIMENSIONS ARE IN INCHES AND APPLY TO PART BEFORE FINISHING TOLERANCE UNLESS SPECIFIED TWO PLACE DECIMALS (.00) ± .01 THREE PLACE DECIMALS (.000) ± .005 ANGLES ± 1° RAW MATL - COMMERCIAL STANDARD	 MANCHESTER, NH TRIPLETT MODUTEC A&M EMICO	TITLE	
		LSOX-W OUTLINE DRAWING	
PROPRIETARY NOTICE THIS DRAWING IS THE PROPERTY OF JEWELL INSTRUMENTS, LLC. NEITHER THIS DOCUMENT NOR THE DATA CONTAINED HEREIN SHALL BE DISCLOSED, REPRODUCED IN WHOLE OR IN PART WITHOUT THE WRITTEN AUTHORIZATION OF JEWELL INSTRUMENTS, LLC. NO RIGHT IS GRANTED TO DISCLOSE OR SO USE ANY INFORMATION CONTAINED HEREIN. ALL RIGHTS RESERVED.	DRAWING NO. OD02550335-000	REV	C
		SCALE	CAGE CODE
	1:1	33005	