
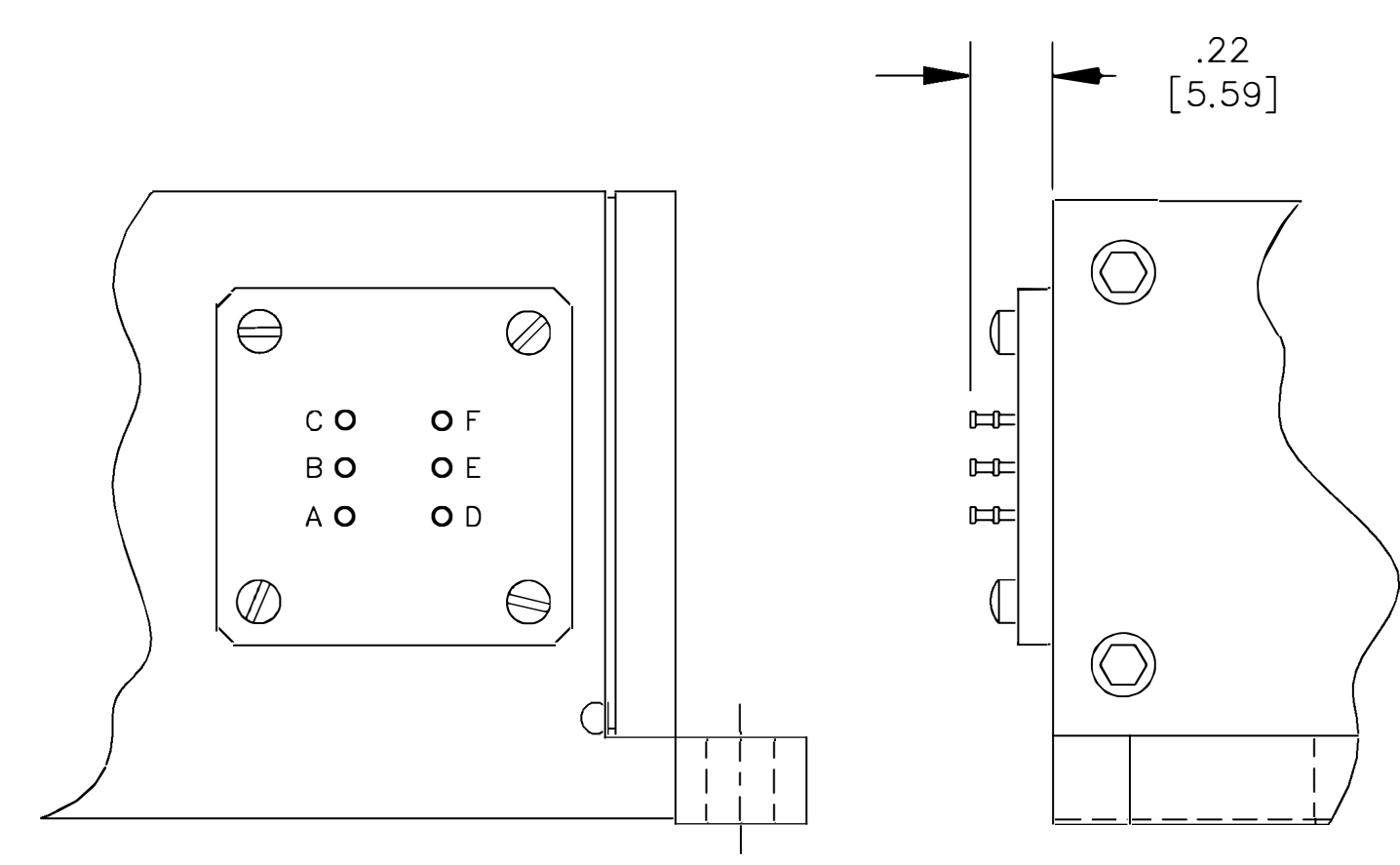
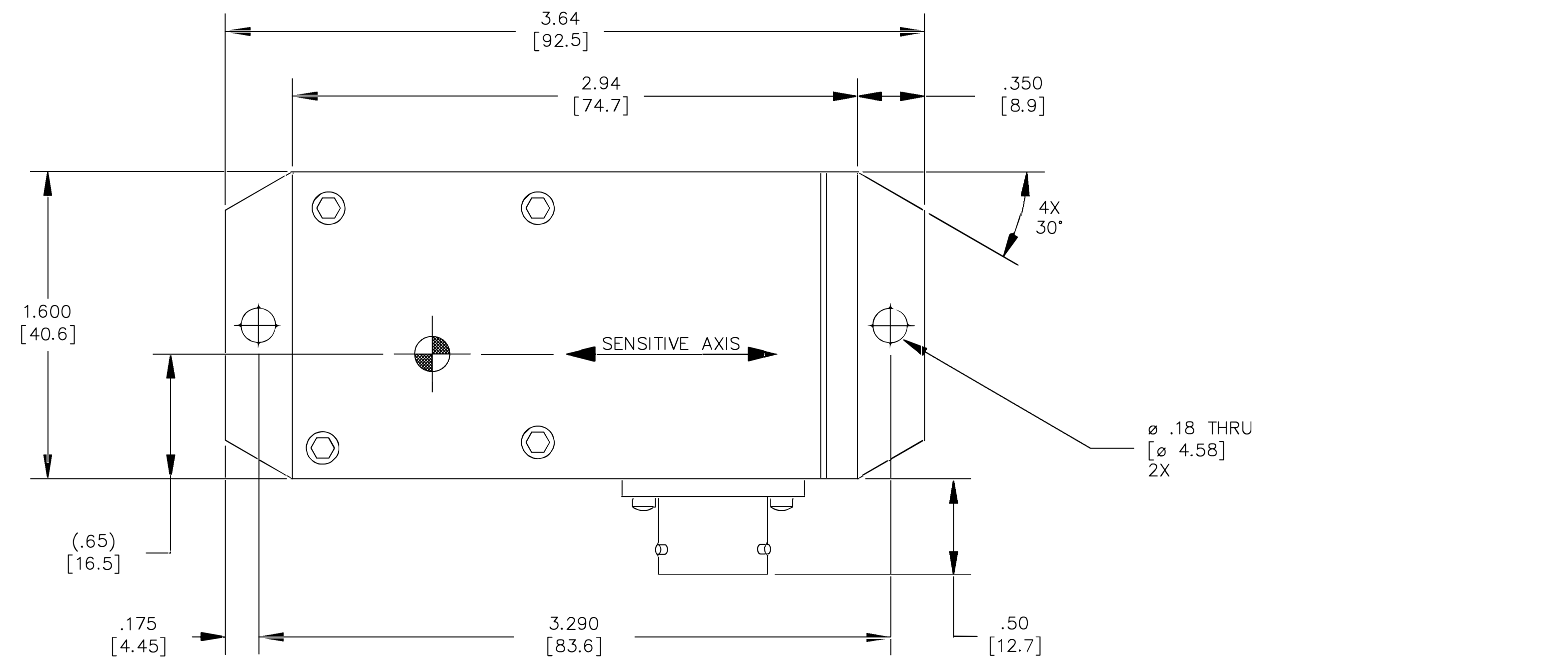


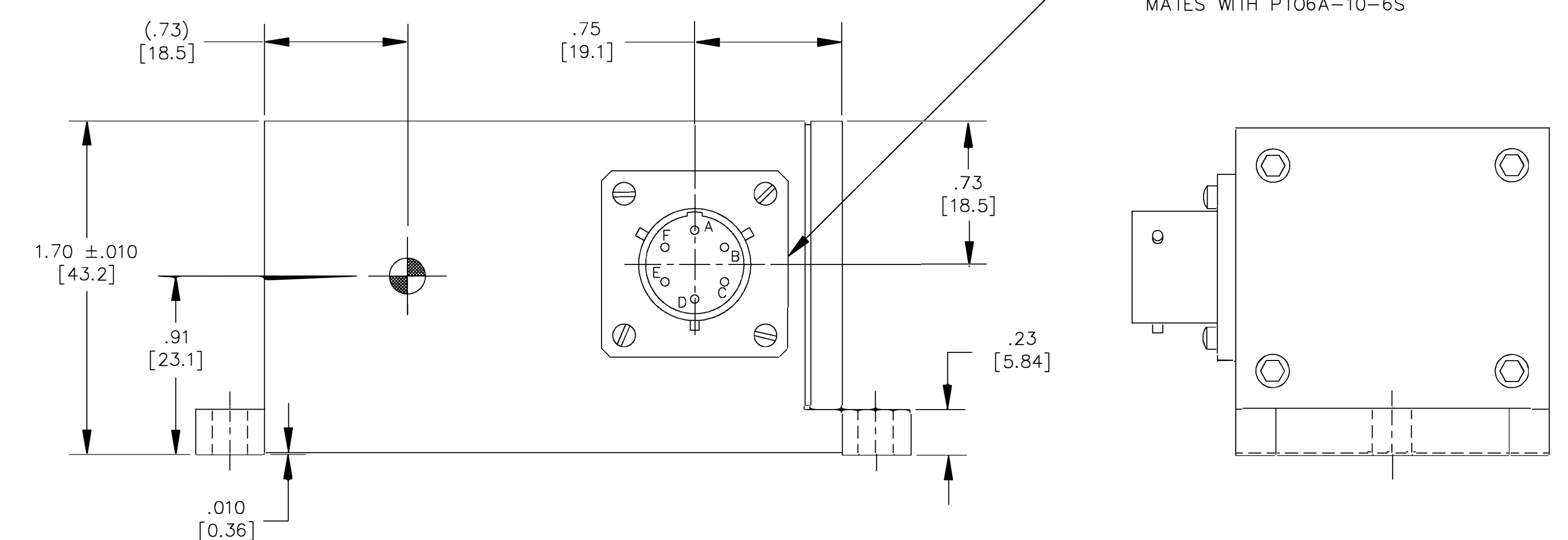
THIS DRAWING AND INFORMATION CONTAINED HEREON ARE THE PROPERTY OF JEWELL INSTRUMENTS LLC AND MUST NOT BE COPIED OR REPRODUCED EITHER WHOLLY OR IN PART WITHOUT WRITTEN PERMISSION OF JEWELL INSTRUMENTS LLC.

NOTES:

1.  DEFINES APPROX. CENTER OF SEISMIC MASS AND DOES NOT APPEAR ON UNIT.
2. DIMENSIONS IN BRACKETS [] ARE MM.



MODEL LSOP



MODEL LSOC

PIN	FUNCTION
A	+ VDC
B	PWR. COM/SIG. LOW
C	- VDC
D	SIG. HIGH
E	NOT USED
F	SELF TEST

CONTRACT NO.		UNLESS OTHERWISE SPECIFIED DIMENSIONS ARE IN INCHES. TOLERANCES ON: ANG ± .5' .XX ± .01 FRAC. ± 1/64 .XXX ± .005	JEWELL INSTRUMENTS LLC
LEVEL	REL DATE		
METHODS AND MATL	DATE	MATERIAL	TITLE
MFG ENG		FINISH	TYPE LSO SERIES OUTLINE
NEXT ASSY	USED ON	Q.A.	SIZE CAGE CODE DWG NO. REV D 33005 0D02550278-000 A
SCALE: 2/1		WEIGHT:	SHEET 1 OF 1