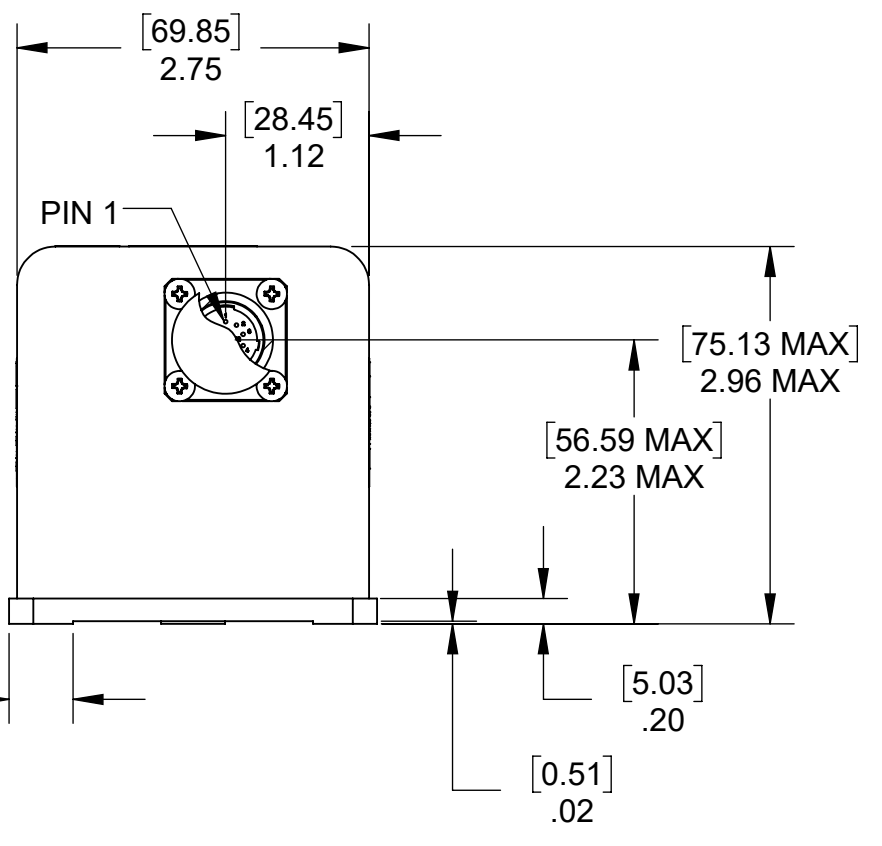



SCALE 1:2



CONNECTOR PIN OUT/ FUNCTION			
PIN	DUAL SUPPLY	4-20 OUTPUT	SINGLE SUPPLY
1	+ POWER	POWER IN	POWER IN
2	- POWER	NO CONNECT	NO CONNECT
3	POWER RETURN	POWER RETURN	POWER RETURN
4	X - OUTPUT	X - OUTPUT	X - OUTPUT
5	Y - OUTPUT	Y - OUTPUT	Y - OUTPUT
6	Z - OUTPUT	Z - OUTPUT	Z - OUTPUT
7	X - OUTPUT RETURN	X - OUTPUT RETURN	X - OUTPUT RETURN
8	Y - OUTPUT RETURN	Y - OUTPUT RETURN	Y - OUTPUT RETURN
9	Z - OUTPUT RETURN	Z - OUTPUT RETURN	Z - OUTPUT RETURN
10	NO CONNECT	NO CONNECT	NO CONNECT
11	NO CONNECT	NO CONNECT	NO CONNECT
12	NO CONNECT	NO CONNECT	NO CONNECT
13	TEMP OUT (OPTIONAL)	TEMP OUT (OPTIONAL)	TEMP OUT (OPTIONAL)

- NOTES:
- UNITS: [mm] IN
  - CONNECTOR IS MS27476Y10D35P MATES WITH MS27473T10B35S.

APPLICATION		DIMENSIONS ARE IN INCHES AND APPLY TO PART BEFORE FINISHING		 <b>MANCHESTER, NH</b> <b>TRIPLETT MODUTEC A&amp;M EMICO</b>		TITLE	
USED ON	NEXT ASSY	TOLERANCE UNLESS SPECIFIED				LCF-3500 OUTLINE DRAWING	
MATERIAL		TWO PLACE DECIMALS (.00) ± .01 THREE PLACE DECIMALS (.000) ± .005 ANGLES ± 1° RAW MATL - COMMERCIAL STANDARD		DRAWING NO.		REV	
FINISH		PROPRIETARY NOTICE THIS DRAWING IS THE PROPERTY OF JEWELL INSTRUMENTS, LLC. NEITHER THIS DOCUMENT NOR THE DATA CONTAINED HEREIN SHALL BE DISCLOSED, REPRODUCED IN WHOLE OR IN PART WITHOUT THE WRITTEN AUTHORIZATION OF JEWELL INSTRUMENTS, LLC. NO RIGHT IS GRANTED TO DISCLOSE OR SO USE ANY INFORMATION CONTAINED HEREIN. ALL RIGHTS RESERVED.		OD02550309-000		C	
				SCALE	CAGE CODE	SHEET 1 OF 1	
				2:3	33005		