

Dynamic Asphalt Strain Gauge

Model ASG-3000-HT

Dynamic asphalt strain gauges measure axial strain in flexible pavement under high frequency (dynamic) conditions. Utilizing four active elements of a Wheatstone bridge circuit, this gauge compensates for temperature, rejects bending strain (may also be configured to measure bending and reject axial strains) and compensates for lead resistance providing a sensor that is easily adaptable to most data acquisition systems without requiring additional signal conditioning.

This low modulus, ruggedized sensor is built to withstand the high temperature and vibratory rolled compaction required for asphalt placement. Each sensor is individually calibrated and supplied with fabrication Quality-Control documentation.



Specifications	
Input Resistance	350 Ω Nominal
Output Resistance	350 Ω Nominal
Sensitivity at 1000 με	~ 1.3 mV/V Nominal
Excitation	2 – 5 VDC
Operating Temp Range	-34°C to +200°C
Lead Wire	#22 AWG Truck-Weight Lead Wire

Specifications subject to change without notice on account of continued product development

***How To Order:**

Model Number: ASG-3000-HT

Part Number: 813-00002

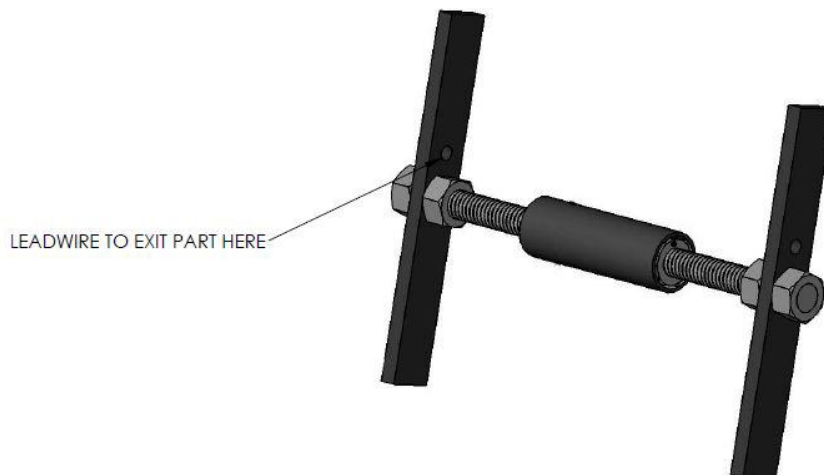
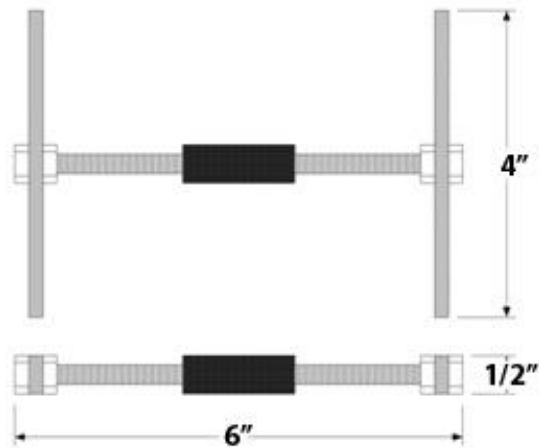
***When ordering, please specify:**

- ✓ Quantity of strain gauges
- ✓ Required cable length per gauge

Purchase of Strain Gauge Includes:
Installation of customer specified length of lead wire
Gauge factor correction for lead wire desensitization
Tension load application and data collection in μ-strain/mV
Labor for calibration and data collection

Dynamic Asphalt Strain Gauge Model ASG-3000-HT

Dimensions:



Wiring/Pin-out:

