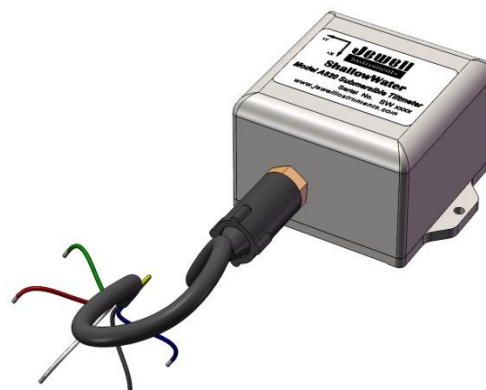


Model C820 Shallow Water 4-20mA Tiltmeter

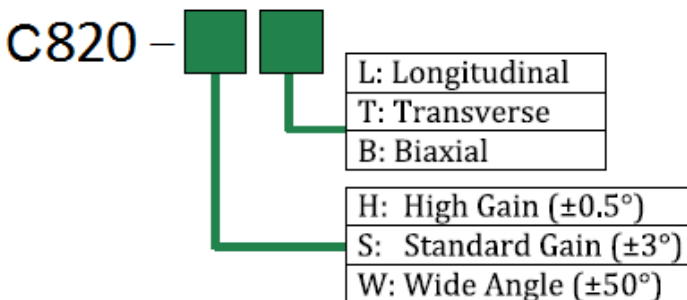
The model C820 Shallow Water is a high-precision submersible tiltmeter for use in fresh and salt water applications with 4-20mA output. Using an absolute gravity referenced electrolytic sensor, the C820 delivers superior measurement accuracy with virtually no long-term drift. High-gain units are sensitive to <0.0017 mm/m or better. All units are rated to 200 meters (656.2 ft) waterproof for advanced protection from the elements. Use the C820 "Shallow Water" for structural monitoring, angle measurement and control, platform leveling, and more.



	High-Gain	Standard	Wide-Angle
Angular Range	±0.5°	±3.0°	±50°
Resolution	<0.0001°	0.0006°	0.01°
Repeatability	<0.0002°	0.001°	0.02°
Non-Linearity	1%	2%	0.5%
Scale Factor	0.0625°/mA	0.375°/mA	6.25°/mA
Time Constant	0.15 sec		
Kz Temp Coefficient	±0.0002 °/°C (typical)		±0.002 °/°C (typical)
Ks Temp Coefficient	<0.04%/°C (typical)		<0.1%/°C (typical)
Output	4-20mA Two-wire current loop (per axis)		
Channels	Tilt, Temperature		
Output Impedance	270 ohms		
Temperature Output	0.1°C/mV typical (single ended; 0°C = 0mV)		
Power	(0.02 Ampere x R + 10 VDC) < Vs < 29 VDC		
Environmental	-4 to +60° C operation; -30 to +100° C storage. Submersible to 200 meters (656.2 ft)		
Mounting	Two no. 10 stainless steel mounting screws.		
Dimensions & Weight	92.1 x 112.4 x 61 mm; 1.6 kg		
Materials	316 SS		
Housing Connector	6-pin bulkhead, male plug		
Mating Cable	6-conductor unshielded, 20AWG female receptacle with locking sleeve, neoprene jacket, 24"		

Specifications subject to change without notice on account of continued product development

How to Order:

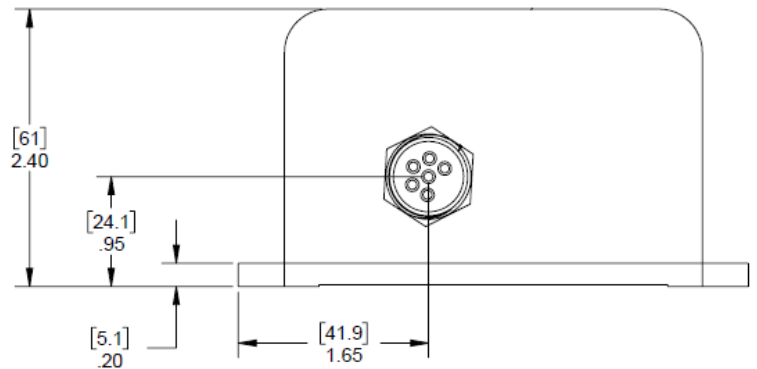
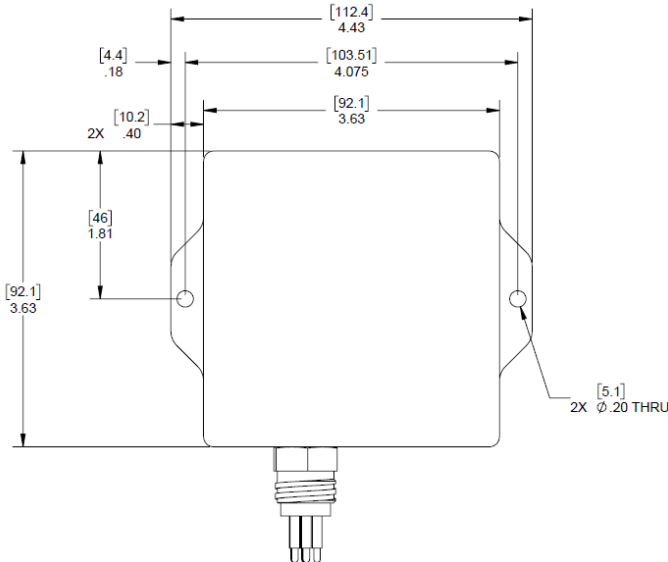


Wiring/Pin-out:

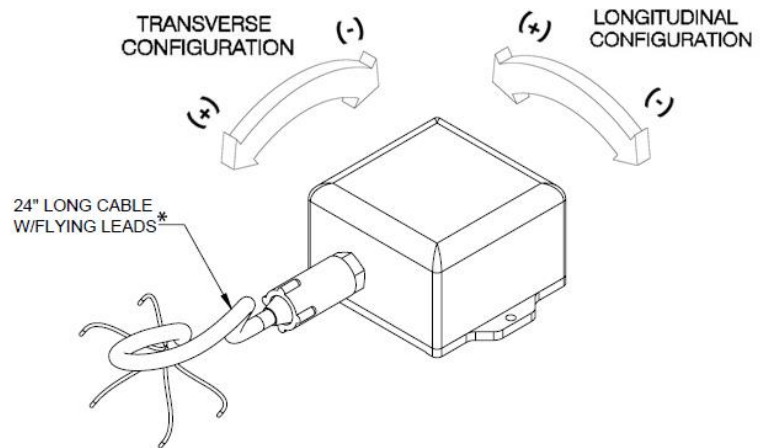
Pin	Wire Color	Function
1	Black	X - Return
2	White	Y - Return
3	Red	X - Power
4	Green	Y - Power
5	Orange	Temp Return
6	Blue	Temp Exc

Model C820 Shallow Water 4-20mA Tiltmeter

Dimensions:



UNITS: **[mm]**
IN



*Custom cable lengths available on request

Part Numbers:

Part Number	Model Long Description
98820-01	C820-HB, $\pm 0.5^\circ$ Shallow Water, High Gain, Biaxial 4-20mA Tiltmeter
98820-02	C820-SB, $\pm 3^\circ$ Shallow Water, Standard-Angle, Biaxial 4-20mA Tiltmeter
98820-03	C820-WB, $\pm 50^\circ$ Shallow Water, Wide-Angle, Biaxial 4-20mA Tiltmeter
98820-04	C820-HT, $\pm 0.5^\circ$ Shallow Water, High Gain, Transverse (Uniaxial) 4-20mA Tiltmeter
98820-05	C820-ST, $\pm 3^\circ$ Shallow Water, Standard-Angle, Transverse (Uniaxial) 4-20mA Tiltmeter
98820-06	C820-WT, $\pm 50^\circ$ Shallow Water, Wide-Angle, Transverse (Uniaxial) 4-20mA Tiltmeter
98820-07	C820-HL, $\pm 0.5^\circ$ Shallow Water, High Gain, Longitudinal (Uniaxial) 4-20mA Tiltmeter
98820-08	C820-SL, $\pm 3^\circ$ Shallow Water, Standard-Angle, Longitudinal (Uniaxial) 4-20mA Tiltmeter
98820-09	C820-WL, $\pm 50^\circ$ Shallow Water, Wide-Angle, Longitudinal (Uniaxial) 4-20mA Tiltmeter