

# Model A904 Clinometer Pak

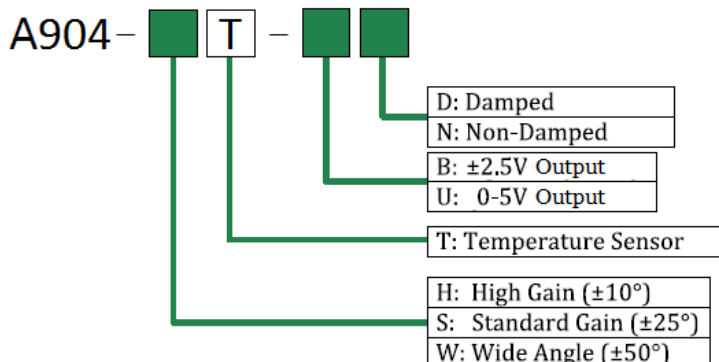
The model A904 “Clinometer Pak” is a low cost biaxial inclinometer housing a rugged weather-proof enclosure. Units are available in +/-2.5V or 0-5V DC output. All A904 Clinometers are IP65 waterproof, and powerful on-board electronics will drive cables over 500 meters. Use the model A904 and for industrial pitch and roll measurements, platform position and control, geotechnical monitoring and more. Units come standard with 3m cable pigtail; for longer lengths please specify per order.



	High-Gain	Standard	Wide-Angle
Angular Range	±10°	±25°	±50°
Resolution <sup>1</sup>	0.005°	0.01°	0.02°
Repeatability	0.02°	0.02°	0.02°
Scale Factor <sup>2</sup>	4°/V	10°/V	25°/V
Non-Linearity <sup>3</sup>	1%	2.5%	7%
Output	±2.5 VDC or 0-5 VDC		
Channels	X-tilt, Y-tilt, Temperature		
Kz Coefficient	±10 arcsec/C (typical)		
Ks Coefficient	±0.03%/C (typical)		
Time Constant	0.15 sec		
Natural Frequency	10 Hz		
Output Impedance	270 ohms, short circuit protected		
Power	+8 to +24 VDC (bipolar output); +10.5 to +26.5 VDC (0-5V output); 7mA, 250 mV ripple max, reverse polarity protected		
Environmental	Operating: -40 to +80 C Storage: -40 to +85 C 0-90% humidity		
Dimensions, Weight	120 x 80 x 60 mm, 0.4 kg (1 lb.)		
Materials	Die-cast aluminum, painted		

*\*Specifications subject to change without notice on account of continued development; <sup>1</sup>Resolution calculated at 1mV; <sup>2</sup>Linear scale factor calculated from BFSL through calibration curve; <sup>3</sup>Linearity calculated as max % deviation from BFSL. 0.05% linearity achievable using a polynomial*

### Ordering Code:

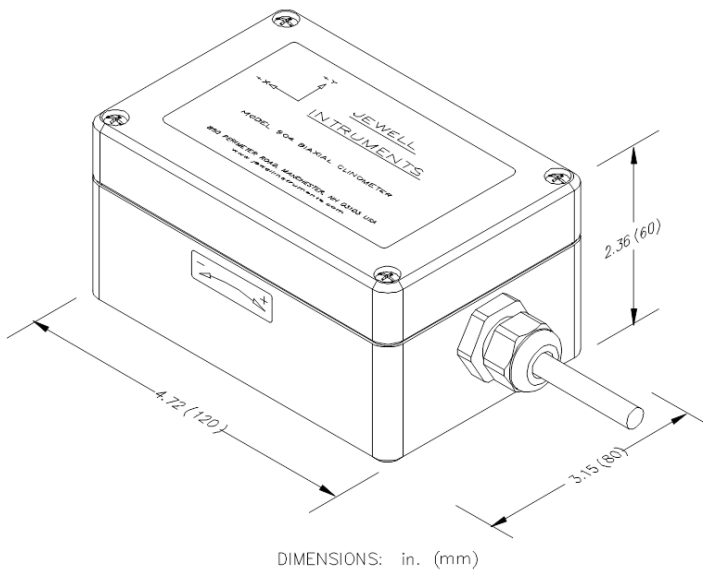
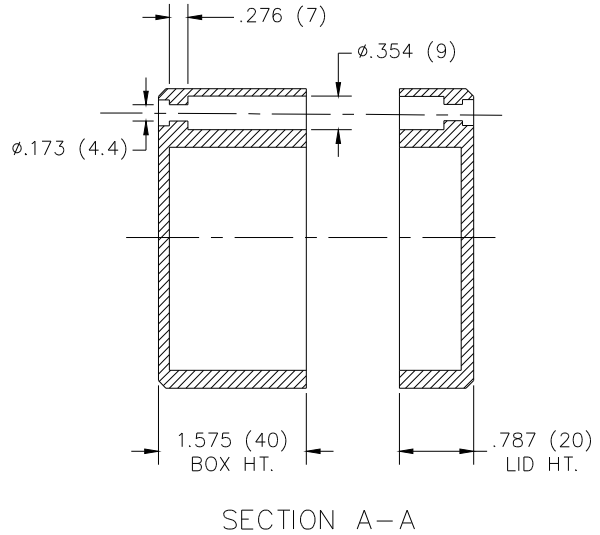
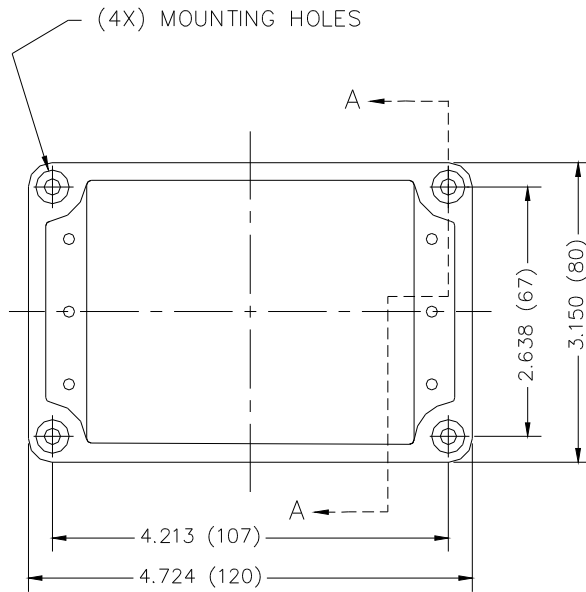


### Pin-out/Wiring:

Color	Function
Red	V+
Black	GND
Blue	X-Out
Green	Y-Out
Yellow	Temp Out

# Model A904 Clinometer Pak

## A904 "Clinometer Pak" Enclosure and Mounting Holes Dimensions



### Accessories:

Part No.	Description
70369	6-conductor cable (specify required length on order)
62204	6-pin male receptacle (installed on tiltmeter cable)
62202	6-socket in-line plug (mates to P/N 62204 connector)
870/DMM	Optional 870 Readout Module with Digital Multimeter Display
81439	Mounting bracket for vertical surfaces
84051	Mounting plate for horizontal surfaces