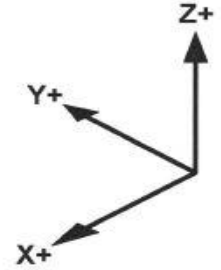


JMA-100/200/300-L MEMS Accelerometer Series

4-20mA Output

Jewell has a 40+ year history of providing precision force-balanced accelerometers and is pleased to provide MEMS parts with the same attention to detail that our customers demand.

The JMA-100/200/300 series is available in single (JMA-100), dual (JMA-200) and triple (JMA-300) axis configurations. This presents a robust and rugged design for industrial use, but with the benefit of low-cost MEMS technology.



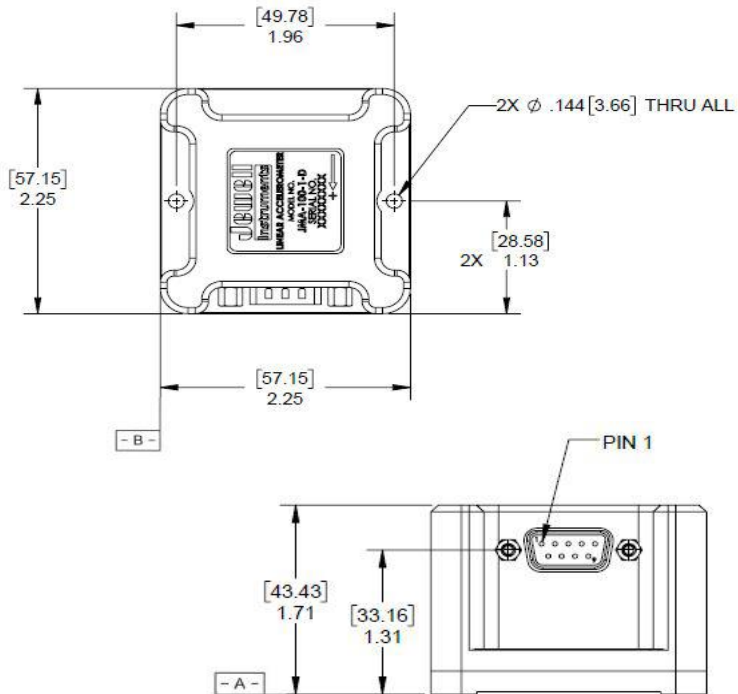
Features

- ± 0.5 to ± 10 g ranges
- Robust and Rugged Enclosure
- Single, Dual and Tri-Axis Models Available
- Low-Cost MEMS Technology
- RoHS Compliant
- Filtering Available
- Single Power Input
- 4-20mA Output
- Temperature Sensor Option Available
- IP65 Seal

Applications

- Vehicle Testing
- Railway Maintenance & Testing
- Acceleration/Deceleration Control
- Aerospace/Space Craft Testing
- Lateral Train Control

Outline Diagram



NOTES:

1. UNITS: $\frac{[mm]}{IN}$
2. UNIT IS AVAILABLE IN THREE VERSIONS; SINGLE AXIS (X AXIS), DUAL AXIS (X & Y AXIS) OR TRIAXIAL (X, Y, & Z AXIS). SINGLE AXIS SHOWN HERE.
3. DATUM $[-A-]$ AND $[-B-]$ ARE DEFINED AS REFERENCE SURFACES.
4. Height of JMA-300-L will be approximately 2.75 in (69.85 mm)

Pin Out

Pin #	Function
1	+Vin
2	Pwr Gnd
3	N/C
4	X Out
5	Y Out
6	Z Out
7	Sig Rtn
8	Temp Out
9	N/C

JMA-100/200/300-L MEMS Accelerometer Series

4-20mA Output

Performance Specifications

STATIC/DYNAMIC

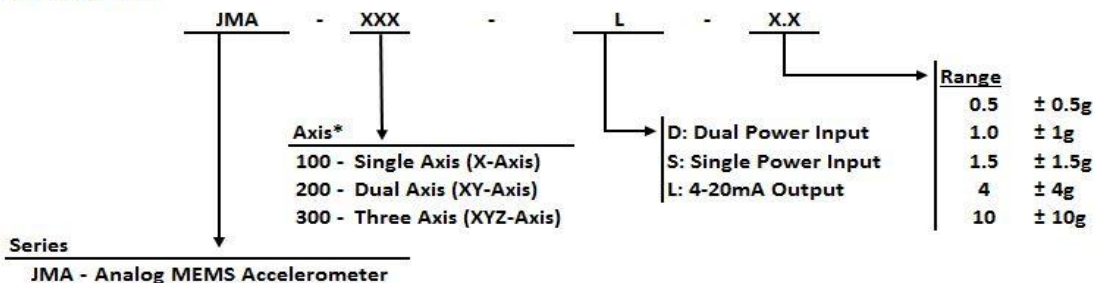
Measurement Range ¹ (g)	±0.5	±1	±1.5	±4	±10
Output Current Range (mA)	4-20	4-20	4-20	4-20	4-20
Scale Factor Tolerance (mg)	±5	±10	±15	±20	±50
Scale Factor Temp. Coefficient (PPM/°C max)	150	150	150	100	100
Bias (g max)	±0.01	±0.01	±0.02	±0.01	±0.01
Bias Temp. Sensitivity (mg/°C max)	1	0.5	0.5	0.5	1
Transverse Axis Misalignment (° max)	±0.5	±0.5	±0.5	±0.5	±0.5
Resolution and Threshold (mg max)	0.025	0.05	0.05	0.08	0.08
Non-linearity (% FRO max)	0.05	0.05	0.08	0.08	0.08
Nonrepeatability, Hysteresis (mg max)	0.07	0.07	0.07	0.10	0.10
Bandwidth (Hz nom) (-3 dB)	100	100	100	200	200
Cross Axis Sensitivity (g/g max)	0.01	0.005	0.005	0.005	0.005
Warm Up Time (Seconds max)	0.5	0.5	0.5	0.5	0.5

ELECTRICAL AND ENVIRONMENTAL

Number of Axes	1, 2 or 3
Input Voltage Range (VDC)	12 to 30
Input Current (mA max)	28 (1-axis), 56 (2-axis), 84 (3-axis)
Output Noise (grms max)	0.01
Operating Temp. Range (°C)	-40 to +85
Storage Temp. Range (°C)	-40 to +95
Shock	100 g, 0.011 sec, ½ sine
Weight (grams)	165 (1 axis), 170 (2 axes), 180 (3 axes)
Seal	IP65

Notes: 1 - Custom ranges available on request. *Specifications subject to change without notice on account of continued product development

How To Order:



Example: JMA-100-L-0.5 = JMA series, single axis, 4-20mA Output, ±0.5g range

*Call factory for customized axis configurations

Single Axis Part Numbers

JMA-100-L-0.5	02550360-132
JMA-100-L-1.0	02550360-133
JMA-100-L-1.5	02550360-134
JMA-100-L-4	02550360-136
JMA-100-L-10	02550360-138

Dual Axis Part Numbers

JMA-200-L-0.5	02550360-232
JMA-200-L-1.0	02550360-233
JMA-200-L-1.5	02550360-234
JMA-200-L-4	02550360-236
JMA-200-L-10	02550360-238

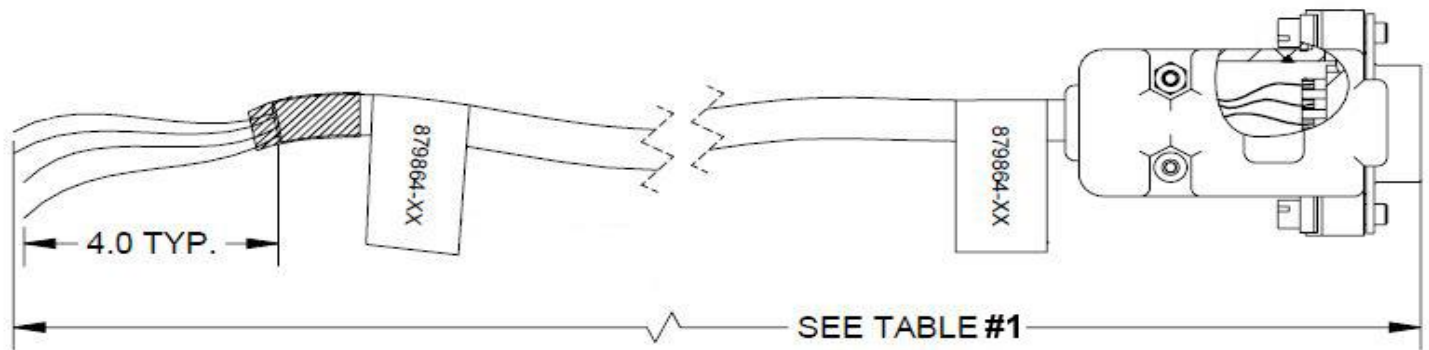
Triple Axis Part Numbers

JMA-300-L-1.0	02550360-333
JMA-300-L-1.5	02550360-334
JMA-300-L-4	02550360-336
JMA-300-L-10	02550360-338

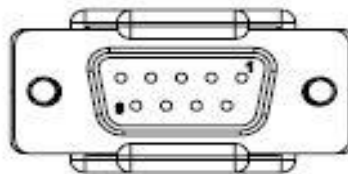
Jewell Instruments LLC, 850 Perimeter Road, Manchester, NH 03103
 sales@jewellinstruments.com • www.jewellinstruments.com • Tel (800) 227-5955

CABLE ASSEMBLY (PN 879864-XX)

DB9 FEMALE CONNECTOR



Dimensions in feet [m]



CONNECTOR PINOUT	
DB9 PIN	FLY LEADS
1	RED
2	BLACK
3	VIOLET
4	GREEN
5	ORANGE
6	YELLOW
7	BROWN
8	BLUE
9	WHITE

Table #1

Cable Configuration	
Part #	Length
879864-10	[10m] 32.8 feet
879864-XX	Other length available (specify on order)