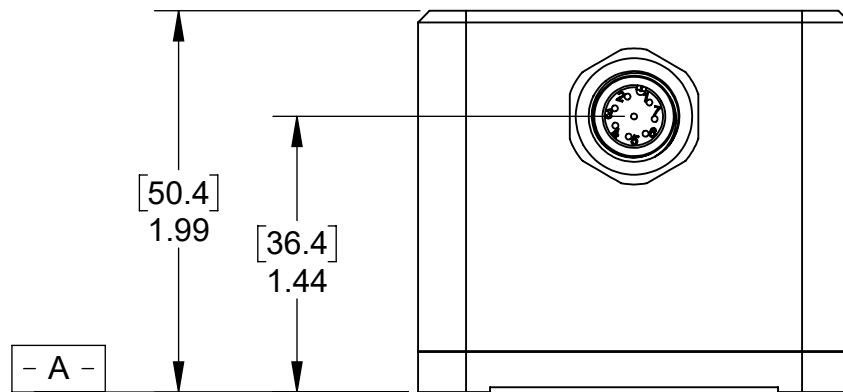


TURCK euro fast CONNECTOR  
8 PIN

M12 X1.0



### RS485, ASCII, MODBUS PIN ASSIGNMENT

PIN	ASSIGNMENT
1	N/C
2	POWER +
3	POWER -
4	DATA - [RS485]
5	GND
6	DATA + [RS485]
7	N/C
8	GND

### RS232 PIN ASSIGNMENT (DO NOT EXCEED 15m (49 FT) IN CABLE LENGTH)

PIN	ASSIGNMENT
1	TXD [RS232]
2	POWER +
3	POWER -
4	N/C
5	GND
6	N/C
7	RXD [RS232]
8	GND

#### NOTES:

- UNIT IS AVAILABLE IN TWO VERSIONS; SINGLE AXIS (X AXIS), DUAL AXIS (X & Y AXIS). DUAL AXIS SHOWN HERE
- DATUM **- A -** AND **- B -** ARE DEFINED AS REFERENCE SURFACES

DIMENSIONS UNITS ARE: [mm] INCH TOLERANCE UNLESS SPECIFIED TWO PLACE DECIMALS .00 ± .01 THREE PLACE DECIMALS .000 ± .005 ANGLES ± 1°	<p><b>Jewell</b> Instruments</p> <p>MANCHESTER, NH TRIPLETT MODUTEC A&amp;M EMICO</p>	TITLE <b>JDI M12 CONN. SERIES OUTLINE DRAWING</b>	
		DRAWING NO. <b>OD02550395</b>	REV. <b>A</b>
	PROPRIETARY NOTICE THIS DRAWING IS THE PROPERTY OF JEWELL INSTRUMENTS, LLC. NEITHER THIS DOCUMENT NOR THE DATA CONTAINED HEREIN SHALL BE DISCLOSED, REPRODUCED IN WHOLE OR IN PART WITHOUT THE WRITTEN AUTHORIZATION OF JEWELL INSTRUMENTS, LLC. NO RIGHT IS GRANTED TO DISCLOSE OR SO USE ANY INFORMATION CONTAINED HEREIN. ALL RIGHTS RESERVED.		SCALE DO NOT SCALE
	CAGE CODE 33005	SHEET 1 OF 1	