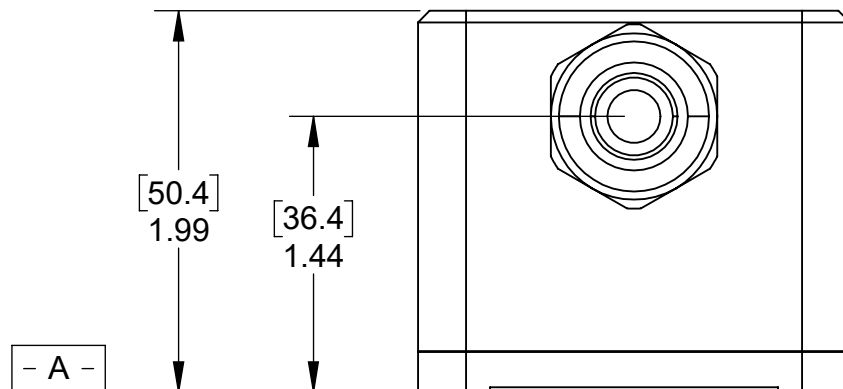
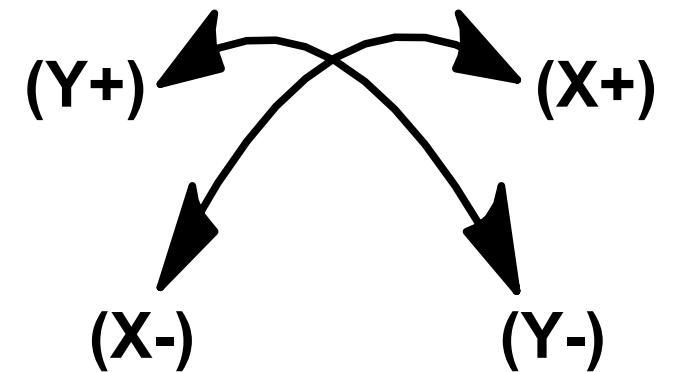
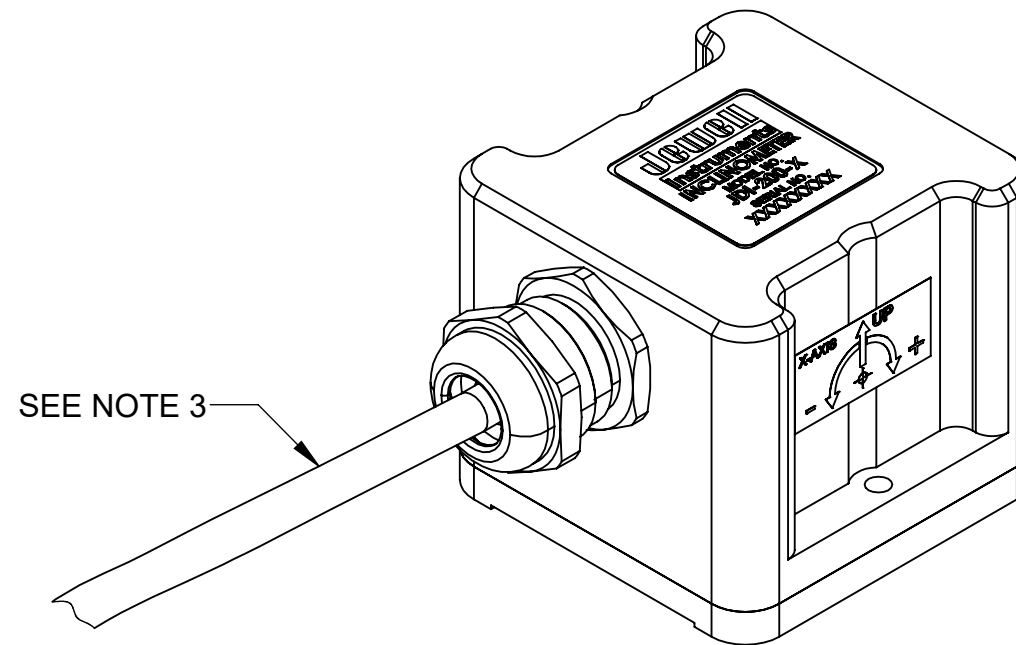


CABLE REMOVED FOR CLARITY



CABLE REMOVED FOR CLARITY

RS485, ASCII, MODBUS PIN ASSIGNMENT	
WIRE COLOR	ASSIGNMENT
RED	POWER +
BLACK	POWER -
GREEN	DATA + [RS485]
BLUE	DATA - [RS485]
WHITE	GND

RS232 PIN ASSIGNMENT (DO NOT EXCEED 15m (49 FT) IN CABLE LENGTH)	
WIRE COLOR	ASSIGNMENT
RED	POWER +
BLACK	POWER -
GREEN	RXD [RS232]
BLUE	TXD [RS232]
WHITE	GND

NOTES:

- UNIT IS AVAILABLE IN TWO VERSIONS; SINGLE AXIS (X AXIS), DUAL AXIS (X & Y AXIS). DUAL AXIS SHOWN HERE
- DATUM **- A -** AND **- B -** ARE DEFINED AS REFERENCE SURFACES
- STANDARD CABLE LENGTH IS 3m (9.8 FT.), CUSTOM LENGTH AVAILABLE.

DIMENSIONS UNITS ARE: [mm] INCH TOLERANCE UNLESS SPECIFIED TWO PLACE DECIMALS .00 ± .01 THREE PLACE DECIMALS .000 ± .005 ANGLES ± 1°	 MANCHESTER, NH TRIPLETT MODUTEC A&M EMICO	TITLE <b>JDI FLYING LEAD          SERIES OUTLINE          DRAWING</b>		
		DRAWING NO. <b>OD02550397</b>	REV. <b>A</b>	
	PROPRIETARY NOTICE <small>THIS DRAWING IS THE PROPERTY OF JEWELL INSTRUMENTS, LLC. NEITHER THIS DOCUMENT NOR THE DATA CONTAINED HEREIN SHALL BE DISCLOSED, REPRODUCED IN WHOLE OR IN PART WITHOUT THE WRITTEN AUTHORIZATION OF JEWELL INSTRUMENTS, LLC. NO RIGHT IS GRANTED TO DISCLOSE OR SO USE ANY INFORMATION CONTAINED HEREIN. ALL RIGHTS RESERVED.</small>	SCALE DO NOT SCALE	CAGE CODE 33005	SHEET 1 OF 1