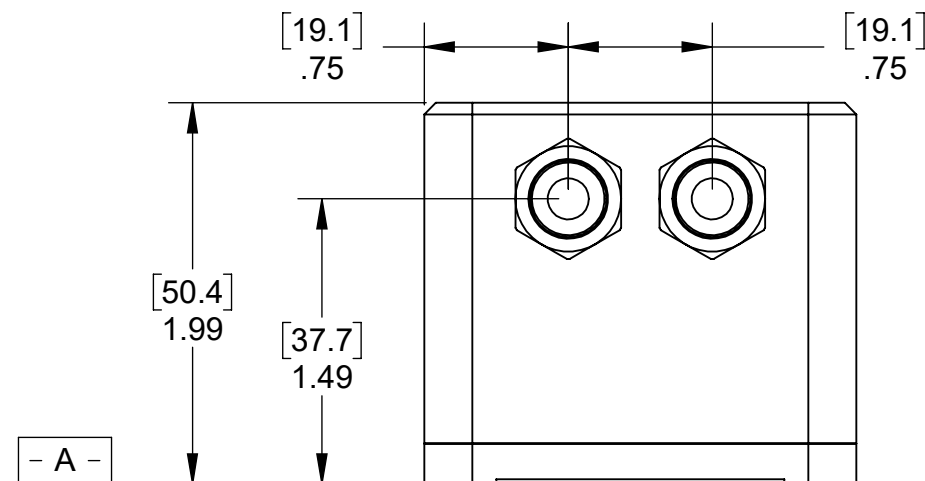
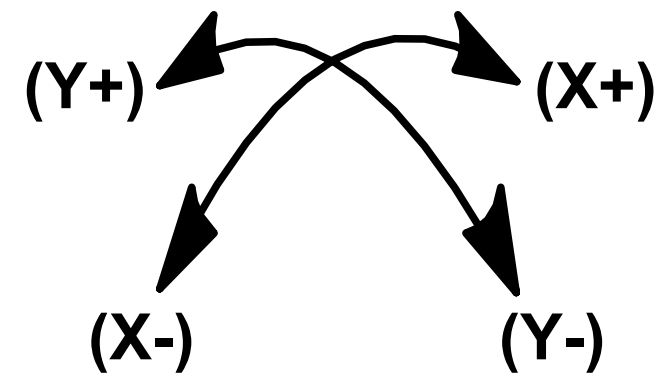
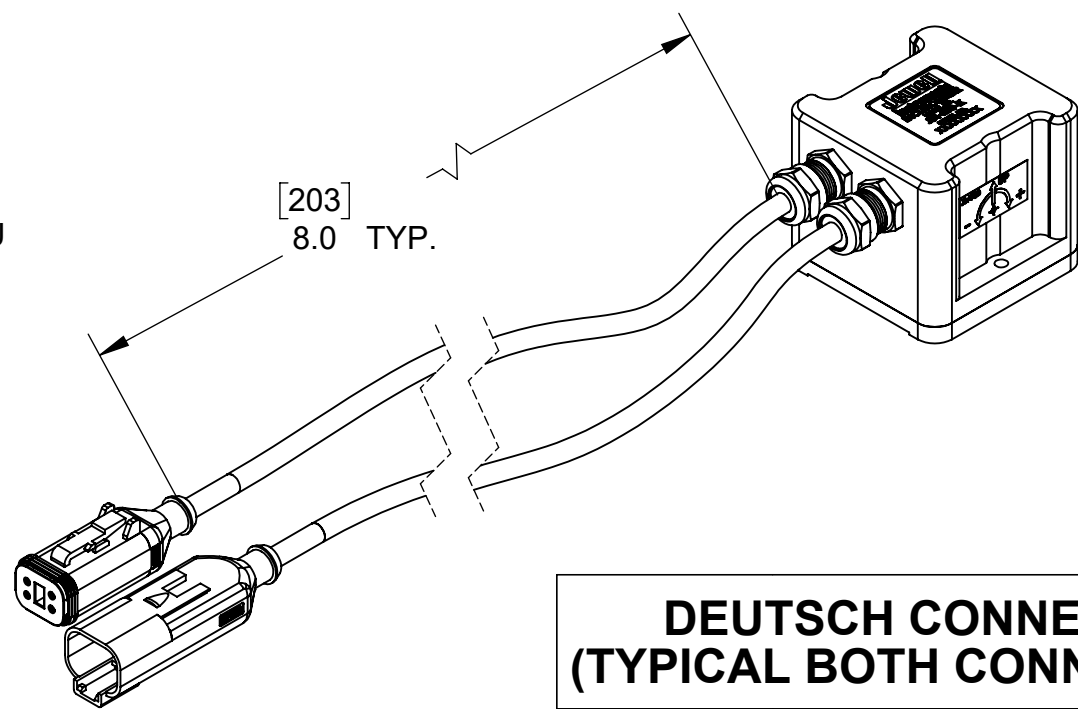


CONN ASSY. REMOVED FOR CLARITY

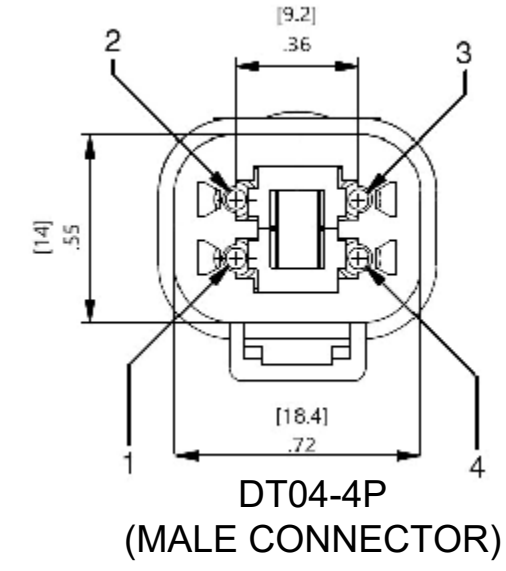
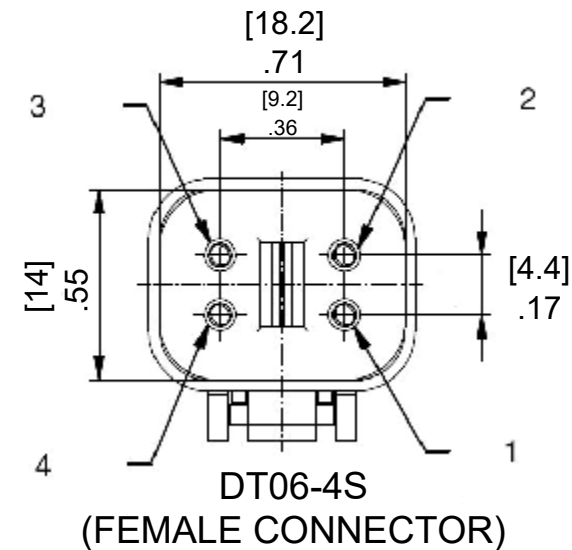


CONN ASSY. REMOVED FOR CLARITY



**DEUTSCH CONNECTOR
(TYPICAL BOTH CONNECTORS)**

PIN	ASSIGNMENT
1	POWER +
2	POWER -
3	DATA+, [RS485]
4	DATA-, [RS485]



NOTES:

- UNIT IS AVAILABLE IN TWO VERSIONS; SINGLE AXIS (X AXIS), DUAL AXIS (X & Y AXIS). DUAL AXIS SHOWN HERE
- DATUM **- A -** AND **- B -** ARE DEFINED AS REFERENCE SURFACES

<p>DIMENSIONS UNITS ARE: [mm] INCH</p> <p>TOLERANCE UNLESS SPECIFIED</p> <p>TWO PLACE DECIMALS .00 ± .01</p> <p>THREE PLACE DECIMALS .000 ± .005</p> <p>ANGLES ± 1°</p>	<p>Jewell Instruments</p> <p>MANCHESTER, NH</p> <p>TRIPLETT MODUTEC A&M EMICO</p>	<p>TITLE</p> <p>JDI M & F DEUTSCH CONN. SERIES OUTLINE DRAWING</p>	
		<p>DRAWING NO.</p> <p>OD02550393</p>	<p>REV.</p> <p>A</p>
<p>SCALE</p> <p>DO NOT SCALE</p>	<p>CAGE CODE</p> <p>33005</p>	<p>SHEET 1 OF 1</p>	

PROPRIETARY NOTICE
THIS DRAWING IS THE PROPERTY OF JEWELL INSTRUMENTS, LLC. NEITHER THIS DOCUMENT NOR THE DATA CONTAINED HEREIN SHALL BE DISCLOSED, REPRODUCED IN WHOLE OR IN PART WITHOUT THE WRITTEN AUTHORIZATION OF JEWELL INSTRUMENTS, LLC. NO RIGHT IS GRANTED TO DISCLOSE OR SO USE ANY INFORMATION CONTAINED HEREIN. ALL RIGHTS RESERVED.