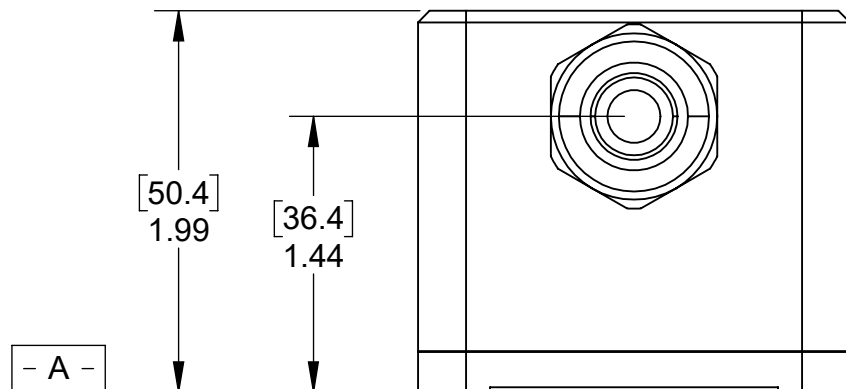
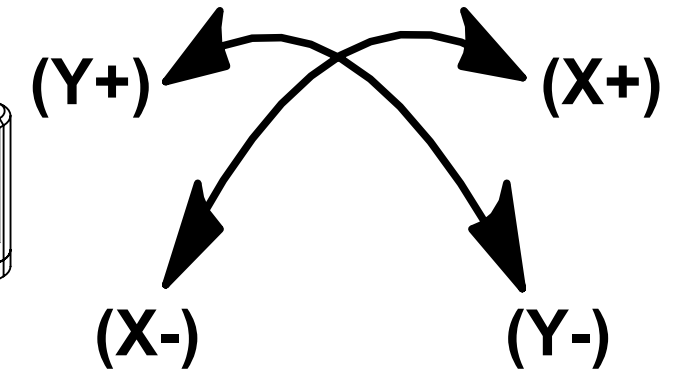
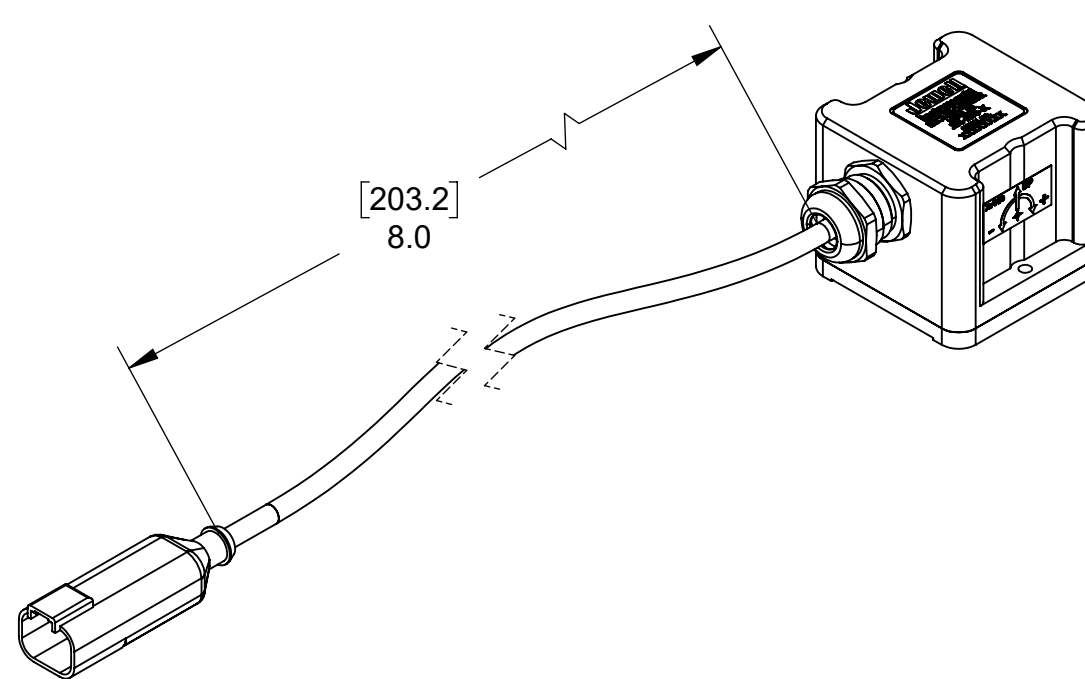


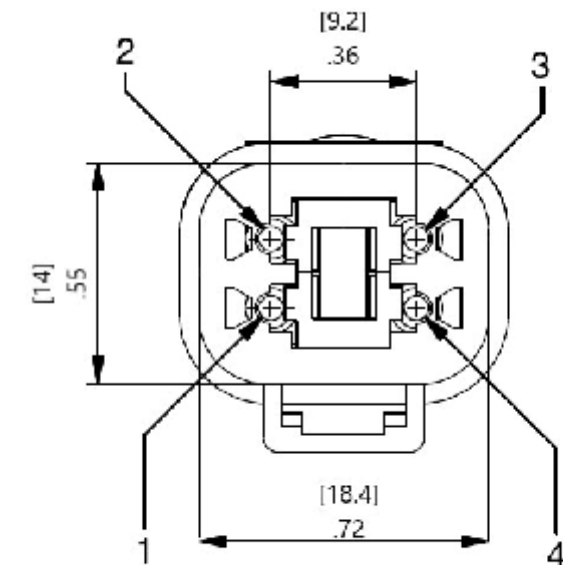
- B -
DEUTSCH CONN ASSY. REMOVED FOR CLARITY



- A -
CONN ASSY. REMOVED FOR CLARITY



DEUTSCH CONNECTOR	
PIN	ASSIGNMENT
1	POWER +
2	POWER -
3	DATA+, [RS485]
4	DATA-, [RS485]

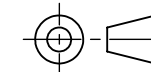


DT04-4P
(MALE CONNECTOR)

NOTES:

- UNIT IS AVAILABLE IN TWO VERSIONS; SINGLE AXIS (X AXIS), DUAL AXIS (X & Y AXIS). DUAL AXIS SHOWN HERE
- DATUM - A - AND - B - ARE DEFINED AS REFERENCE SURFACES
- MATING CONNECTOR DT06-4S.

DIMENSIONS UNITS ARE: [mm] INCH
TOLERANCE UNLESS SPECIFIED
TWO PLACE DECIMALS .00 ± .01
THREE PLACE DECIMALS .000 ± .005
ANGLES ± 1°



MANCHESTER, NH
TRIPLETT MODUTEC A&M EMICO

PROPRIETARY NOTICE
THIS DRAWING IS THE PROPERTY OF JEWELL INSTRUMENTS, LLC. NEITHER THIS DOCUMENT NOR THE DATA CONTAINED HEREIN SHALL BE DISCLOSED, REPRODUCED IN WHOLE OR IN PART WITHOUT THE WRITTEN AUTHORIZATION OF JEWELL INSTRUMENTS, LLC. NO RIGHT IS GRANTED TO DISCLOSE OR SO USE ANY INFORMATION CONTAINED HEREIN. ALL RIGHTS RESERVED.

TITLE
JDI DEUTSCH CONN. SERIES OUTLINE DRAWING

DRAWING NO. OD02550391 REV. A

SCALE DO NOT SCALE CAGE CODE 33005 SHEET 1 OF 1