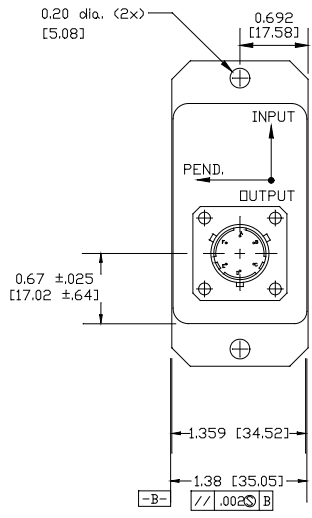
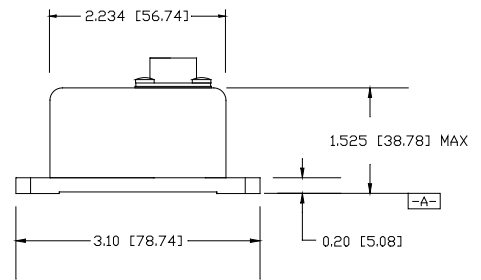
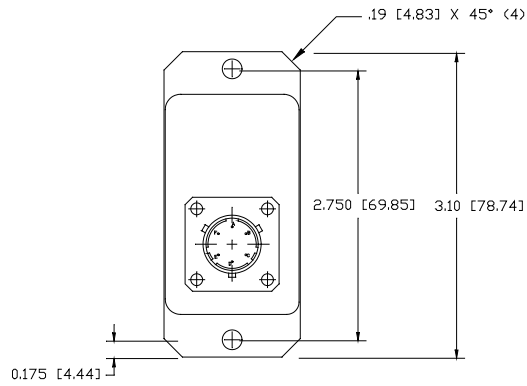
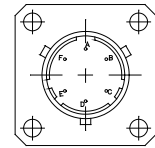


1 - DIMENSIONS ARE IN INCHES [mm]  
 2 - DATUM **[A-]** AND **[B-]** ARE DEFINED AS REFERENCE SURFACES

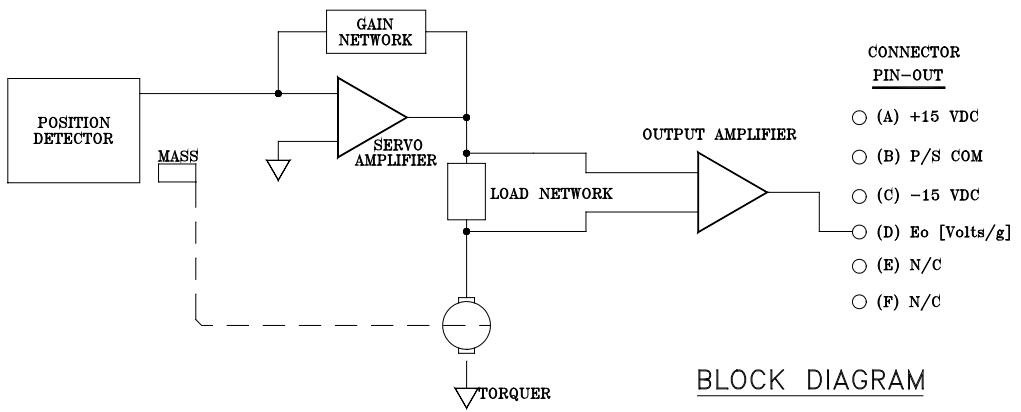


LCA-165 SERIES  
 w/6 PIN CONNECTOR



CONNECTOR - PT02H-10-6P  
 MATES WITH PT06A-10-6S(SR)

OUTLINE DIAGRAM



BLOCK DIAGRAM